



JEEP GRAND CHEROKEE

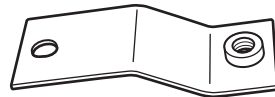
Hood Protector

Genuine Accessories



A

X2



B

X6



F

X2

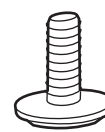


C

G



X4



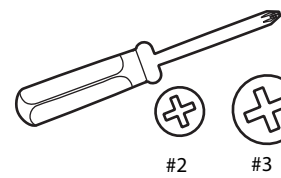
D

X4

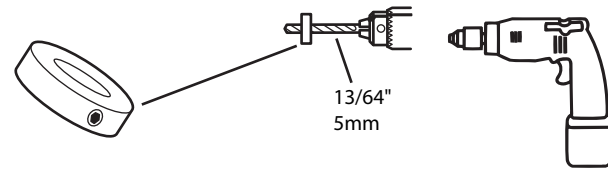
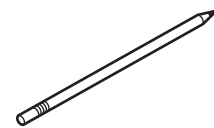


E

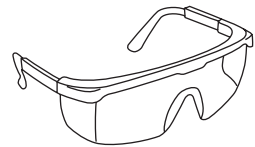
Tools Required / HERRAMIENTAS NECESARIAS / OUTILS NECESSAIRES



#2 #3



13/64"
5mm



I-1033 E

© DAIMLERCHRYSLER

10/09/07

1 of 4

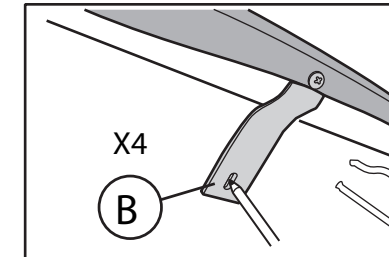
K6859474



JEEP GRAND CHEROKEE

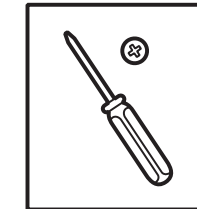
Hood Protector

Genuine Accessories

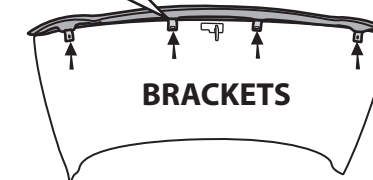


X4

B

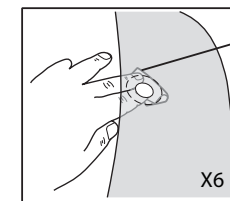


FULLY TIGHTEN!



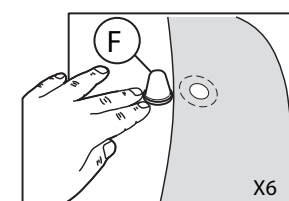
BRACKETS

9



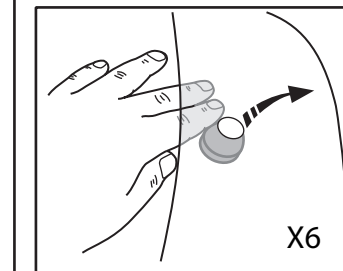
G

X6

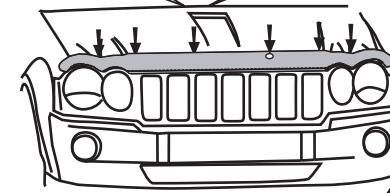


F

X6

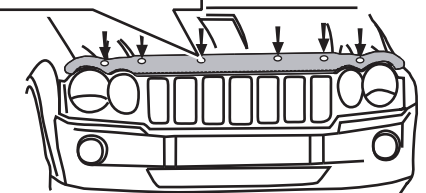


X6



10

11



10/09/07

4 of 4

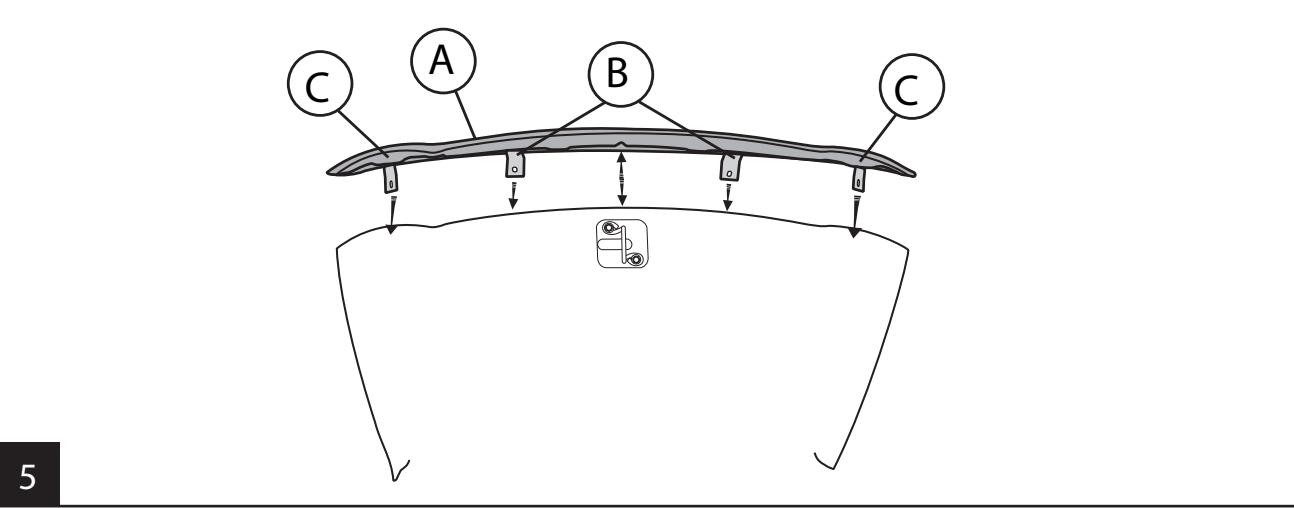
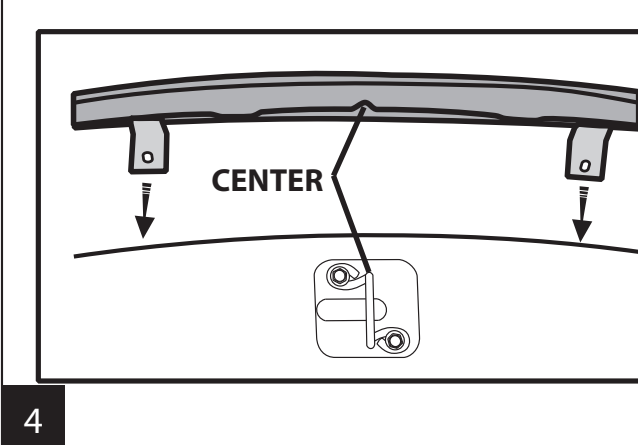
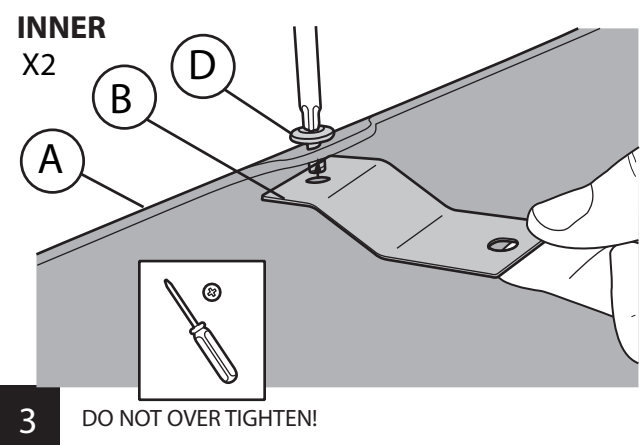
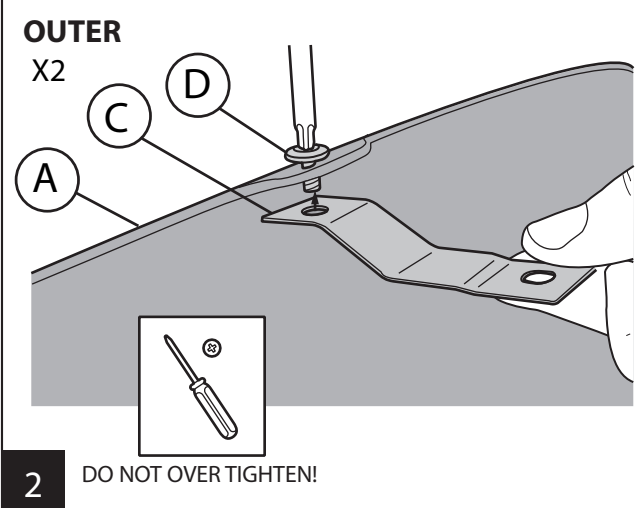
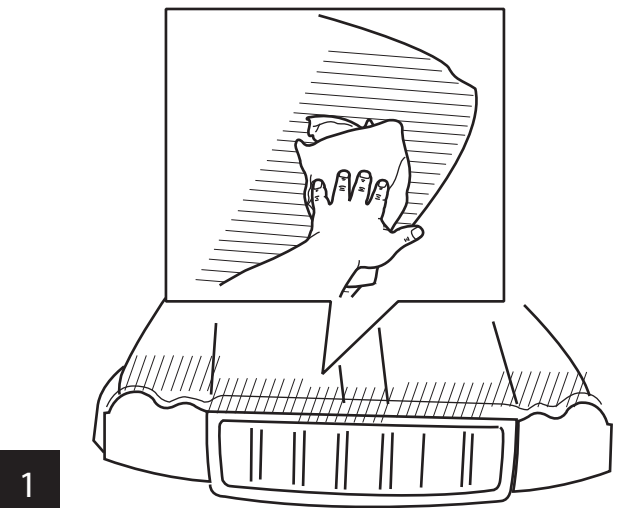
K6859474



JEEP GRAND CHEROKEE

Hood Protector

Genuine Accessories



JEEP GRAND CHEROKEE

Hood Protector

Genuine Accessories

