



INSTALLATION INSTRUCTIONS REAR FENDERWELLS

These rear fenderwells are designed for universal application. The modifications required for each vehicle vary, although the installation procedures are similar. Fitting rear fenderwells requires some time and patience to ensure a professional looking installation. Be prepared to install and remove them several times for minor fitting and trimming. Keep the following key points in mind during the installation process:

- Remove small amounts of material when you get close to the final dimensions.
- Use a black marker to trace all trim lines so that they will be visible during the trimming process.
- Take your time installing and removing the assembled fenderwell. Sharp bends are difficult to remove.
- Before removing the existing wheel wells check for obstructions such as brake and fuel lines.
- Wear protective gloves and eyewear. Sheetmetal is sharp and can cut you very easily.
- Read instructions completely before starting the project.

PARTS LIST

2) Cheeks – Steel or Aluminum

2) Bands – Steel or Aluminum

TOOLS AND MATERIALS REQUIRED

Air Chisel
Tin Snips
Angle Grinder
Rivets

Rivet Gun
Level
Rubber Mallet
Body Sealer

Tape Measure
24" Square
Electric Drill

INSTALLATION

1. Using the tape measure, determine the widest point between the frame rail and the inside of the quarter panel. Do this in several places along the frame rail. Repeat for the other side.
2. Using a plumb bob, locate the axle centerline from a reference point on the housing and mark this location on the frame rail. Repeat this for both sides.
3. Trace the cheek of the fenderwell onto the supplied cardboard in the kit. The cheeks are the half circle shaped pieces. The bands are the flat bead rolled sheets.
4. With the template cut out, mark the centerline down the middle and mount it on the frame rail holding it in place with a clamp. At this time write the word "outside" on the side of the template that faces the quarter panel.
5. Determine the optimum height of the fenderwells by holding the 24" square against the template, even with the top of the template. Move the template upwards as far as possible to gain the most tire clearance, keeping in mind the desired width of the fenderwell.
6. Line up the centerline marks on the template with the marks on the frame rail. Secure the template in place. Trace the outline of the framerail bottom to the back of the template. Remove the template and trim it along the marked line.

7. Trace the outline of the template onto the cheek. Make sure that the lip on the cheek and the word "outside" faces up.
8. Trim the cheek along the marked line with the tin snips.
9. Using the supplied cardboard in the kit, make a template of the band.
10. Assemble the cheek template to the band template using duct tape to hold it together in several places.
11. Using a 24" square held against the tub, mark parallel lines every 4 inches. Number each line, starting from one end, in sequence. See Figure #1
12. Place corresponding marks onto the metal cheek. Number each mark in the same order as the template.
13. Place the newly trimmed cheek in position on the frame rail. Clamp it in place.
14. Measure the distance from the inside edge of the metal cheek to the fender. Mark this dimension on the corresponding line located on the template. Repeat this process for each line. See Figure #2
15. Connect the marks and cut the cardboard template.
16. Remove the metal cheek, trial fit the assembled cardboard template. Place a level on the side and top of the template. Adjust for proper position as necessary. Use tape to add material as needed.
17. Tub assembly:
 - a. Check the lock seam that is formed on the band by placing a thin blade screwdriver into the slot and pulling it along the entire length. See Figure #3
 - b. Insert the flange of the cheek into the lock seam beginning at the forward edge.
 - c. Roll the lip of the band seam over the side of the cheek. Gently tap the flange with a hammer. Repeat this every few inches along this seam for the entire fenderwell. See Figure #4
 - d. Finish the locking seam by working one section at a time. Use a hammer on the outside and a dolly or piece of wood on the inside to back up the blows.

NOTE: The band is several inches longer than the cheek. The additional material should end up at the rear of the fenderwell. This additional material will be useful later when installing the trunk sheetmetal.

18. Place the cardboard template over the assembled fenderwell and transfer the finalized shape onto the sheetmetal.
19. Carefully trim the fenderwell on the outside of the marked line. This will allow material for final trimming.
20. Install the fenderwell into the chassis. Clamp it to the framerail. Check the fit, trim as necessary.
21. If the fenderwell fits good, you may now affix it to the framerail using pop-rivets. Do not attach the band edge to the quarter panel.

NOTE: If you are installing our mild steel fenderwells, you may choose to weld them in place. We do not recommend welding the edge of the fenderwell to the quarter panel.

22. Finish the installation by using auto body sealer on the joint between the fenderwell and the wheel lip. Degrease the sheet metal and paint if desired.

*For Technical Assistance, call Competition Engineering's Tech Line at
(203) 458-0542, 8:30am-5:00pm Eastern Time*

COMPETITION ENGINEERING
80 Carter Drive • Gullford, CT 06437
Phone: (203) 453-5200 • Fax: (203) 453-6906

Visit Us At www.competitionengineering.com

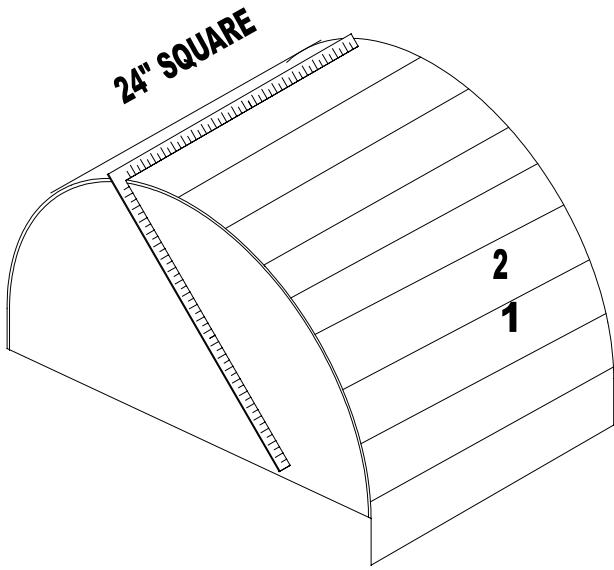


FIGURE #1

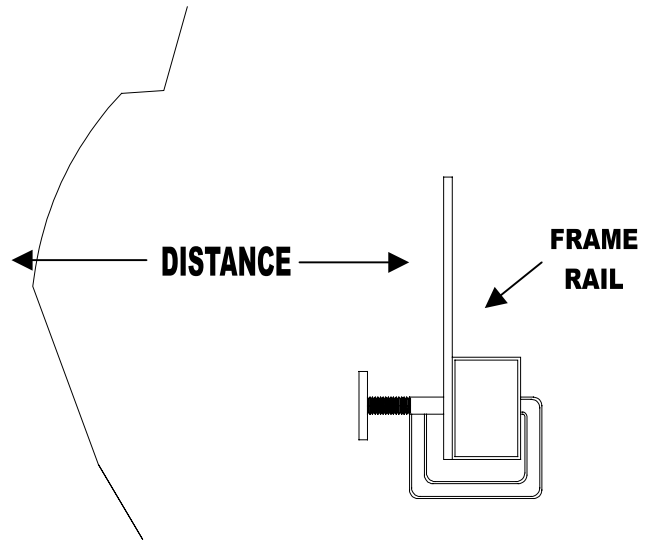


FIGURE #2

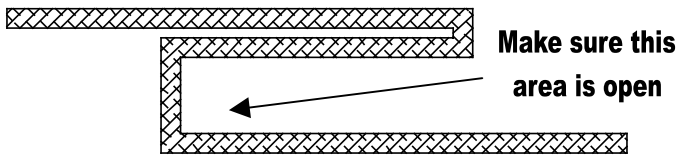


FIGURE #3

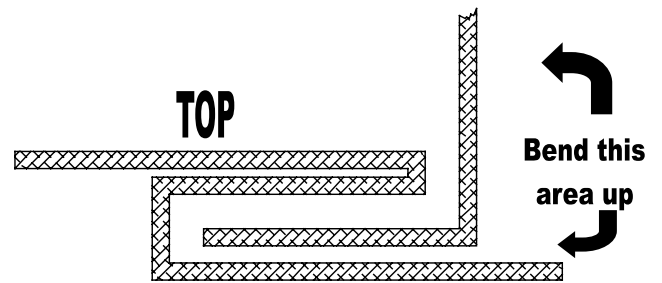


FIGURE #4

*For Technical Assistance, call Competition Engineering's Tech Line at
(203) 458-0542, 8:30am-5:00pm Eastern Time*

COMPETITION ENGINEERING

80 Carter Drive • Guilford, CT 06437

Phone: (203) 453-5200 • Fax: (203) 453-6906