

Installation Instructions

DOMINATOR D4 DUAL-STEP Part # D44126

2004-2013 Ford F-150 Super Cab

Parts List

Item	Qty.	Part #	Description	Torque
1	3 Pr	391694BB	Front, Middle & Rear Mounting Bracket	-
2	12	-	5/16" Square Head Bolt	11Ft. Lbs.
3	12	-	5/16" Flat Washer	-
4	12	-	5/16" Lock Washer	-
5	12	-	5/16" Hex Nut	11Ft. Lbs.
6	6	-	3/8" 1 1/4" Hex Bolt	30 Ft. Lbs.
7	6	-	3/8" x 1" Carriage Bolt	30 Ft. Lbs.
8	12	-	3/8" Flat Washer	-
9	12	-	3/8" Lock Washer	-
10	8	-	3/8" Hex Nut	30 Ft. Lbs.
11	2	371980EA	3/8" Bolt Plate	-
12	6	-	3/8" U-Nut	-
13	2	-	Vinyl Gasket	-
14	1	D44126D	Driver Side Step	-
15	1	D44126P	Passenger Side Step	-

DRIVER FRONT MIDDLE & REAR



PASSENGER FRONT MIDDLE & REAR



Tool Required:

1/2" & 9/16" Socket
 17mm (12 point) Socket
 15mm, & 9/16" Wrench
 Ratchet & Ratchet Extension

Approximate Installation Time: 45 min

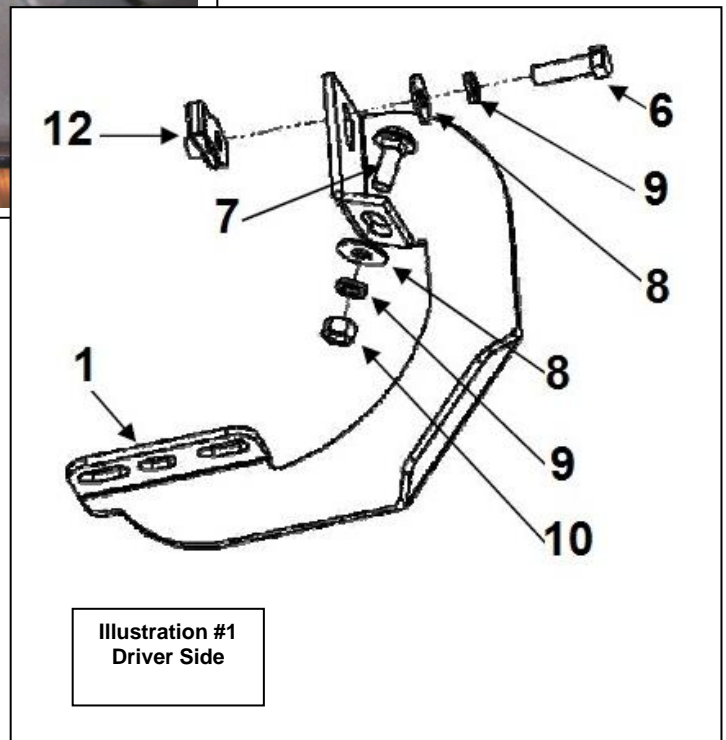
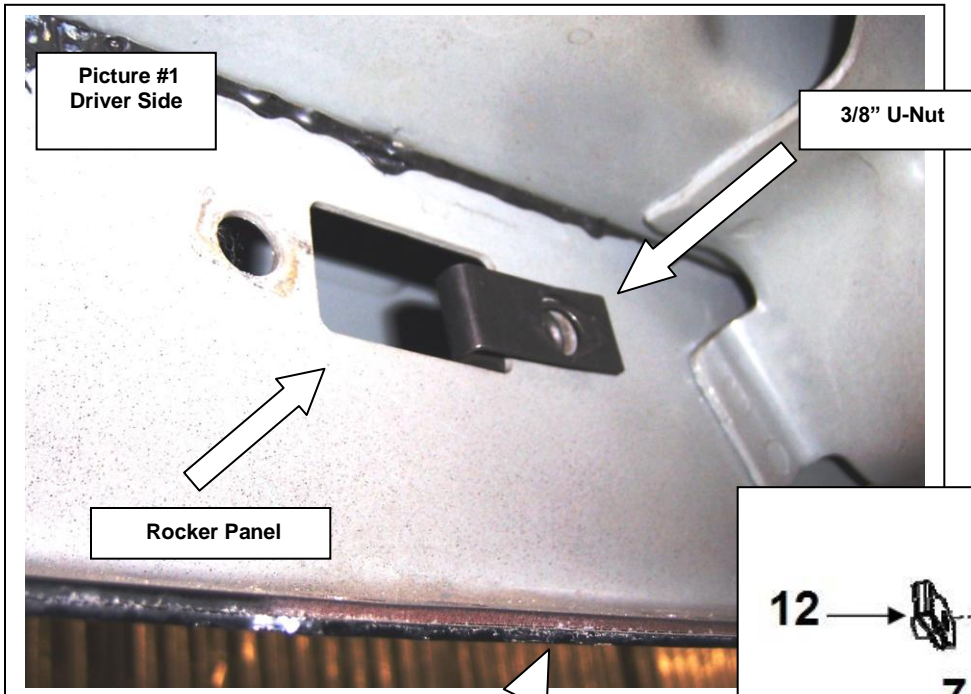
Read the installation instructions completely and verify that all of the parts listed are accounted for. If you have defective, missing or damaged parts or need assistance, please contact Go Rhino Products for fast, friendly customer service at: 1-888-427-4466 or email: warranty@gorhino.com

Note: The parts kit may include additional fastener that will not be used for this application.

Installation

Step-1 This installation uses three mounting brackets per side. Beginning with the driver side, locate the holes in the rocker panel and lower body pinch mold at the front, middle and rear of the cab and install the 3/8" u-nuts in the rocker panel. **Picture #1**

Step-2 Attach each of the driver side brackets to the rocker panel using (1) 3/8" x 1 1/4" hex bolt, (1) 3/8" flat washer and (1) 3/8" lock washer and to the pinch mold using (1) 3/8" x 1 1/4" carriage bolt, (1) 3/8" flat washer, (1) 3/8" lock washer and (1) 3/8" hex nut. Leave the nuts and bolts loose for final adjustment. **Illustration #1**



Step-3 Attach the driver side step to each of the brackets using (2) 5/16" x 1" square head bolts, (2) 5/16" flat washers and (2) 5/16" lock washers as shown. **Illustration #2 & #3**

Step-4 Align the side step with the vehicle and tighten all side step and mounting bracket nuts and bolts. Repeat the installation steps to install the passenger side brackets and side step. Remember to check and retighten all nuts and bolts periodically.

