



31056 INSTALLATION INSTRUCTIONS



Safety glasses should be worn at all times while installing this product.

YEARS: 2006-2010

MAKE: JEEP

MODEL: COMMANDER

STYLE: SUV

WARNING: NEVER EXCEED YOUR VEHICLE MANUFACTURER'S RECOMMENDED TOWING CAPACITY

WEIGHT CARRYING:
TRAILER WEIGHT: 3,500 LBS.
TONGUE WEIGHT: 350 LBS.

GROSS LOAD CAPACITY WHEN USED AS A STRAIGHT LINE PULL:
9,000 LBS MAX.

INSTALLATION TIME: 90 MIN.

THE INSTALL TIME LISTED IS FOR PROFESSIONAL INSTALLERS. IF YOU ARE HESITANT TO UNDERTAKE THIS TASK ON YOUR OWN, CONTACT AN AUTHORIZED CURT INSTALLER FOR ADDITIONAL ASSISTANCE.

INSTALLATION REQUIRES:

 RATCHET	 6" SOCKET EXTENSION	 3/4" 11/16" 10mm 15mm SOCKET
 POWER DRILL	 DRILL BIT 1/2"	 DIE GRINDER
 TORQUE WRENCH	 UTILITY KNIFE	 CENTER PUNCH
 SAFETY GLASSES		

INSTALLATION TIPS:

- BEFORE YOU BEGIN INSTALLATION, READ ALL INSTRUCTIONS THOROUGHLY.
- TO EASE INSTALLATION, 2 PEOPLE MAY BE REQUIRED.
- USING PROPER TOOLS WILL GREATLY IMPROVE THE QUALITY OF THE INSTALL AND REDUCE THE TIME REQUIRED.
- NEED HELP OR HAVE SOME QUESTIONS? CALL TECHNICAL SUPPORT AT 800.798.0813

LEVEL OF DIFFICULTY: CHALLENGING

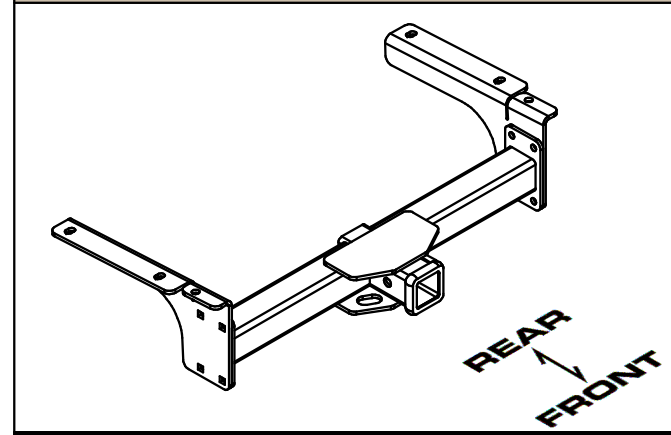
EASY	MODERATE	CHALLENGING
	ENLARGE HOLES	
	DRILL MOUNTING HOLES	
	REMOVE RUBBER PLUGS / TOW LOOPS (IF EQUIPPED)	
	FISHWIRE HARDWARE	
	REVERSE FISHWIRE HARDWARE	

VEHICLE PHOTO:



REPRESENTATIVE PHOTO

HITCH ILLUSTRATION:



MAKE SURE YOUR HITCH MATCHES

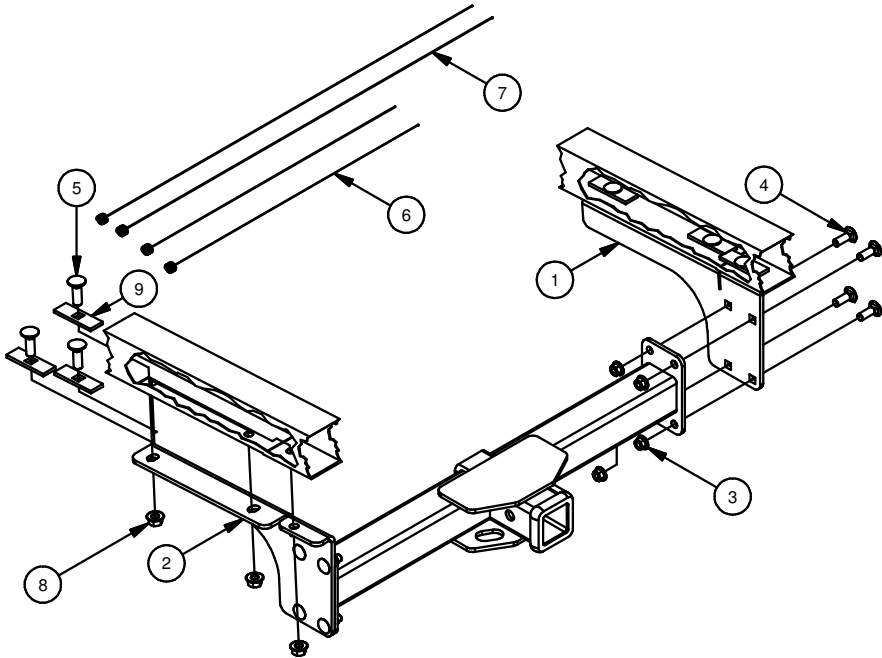
PERIODICALLY CHECK THIS RECEIVER HITCH TO ENSURE ALL FASTENERS ARE TIGHT AND ALL STRUCTURAL COMPONENTS ARE SOUND

CURT Manufacturing Inc. warrants this product to be free of defects in material and/or workmanship at the time of retail purchase by the original purchaser. If the product is found to be defective, Curt Manufacturing Inc. may repair or replace the product at their option, when the product is returned, prepaid, with proof of purchase. Alteration to, misuse of, or improper installation of this product voids the warranty. Curt Manufacturing Inc.'s liability is limited to repair or replacement of products found to be defective, and specifically excludes liability for incidental or consequential loss or damage.

For more information log onto www.curtmfg.com, & for helpful towing tips log onto www.hitchinfo.com

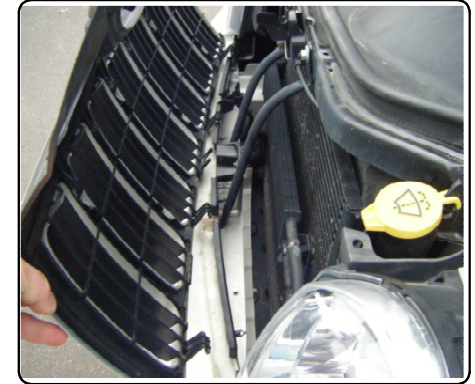
INSTALLATION WALKTHROUGH:

Parts List			
ITEM	QTY	PART NUMBER	DESCRIPTION
1	1	CM-31056-DS	.250" DRIVER SIDE PLATE
2	1	CM-31056-PS	.250" PASSENGER SIDE PLATE
3	8	7/16-14	HEX FLANGE NUT
4	8	7/16-14 x 1 1/4	CARRIAGE BOLT
5	6	1/2-13 x 1 1/2	CARRIAGE BOLT
6	2	1_2 FISHWIRE	1/2" FISHWIRE
7	2	1_2 x 30 FISHWIRE	1/2" x 30" FISHWIRE
8	6	HFN 1213	HEX FLANGE NUT
9	6	CM-SP40	.188 x 1.00 x 3.00" SQUARE HOLE SPACER

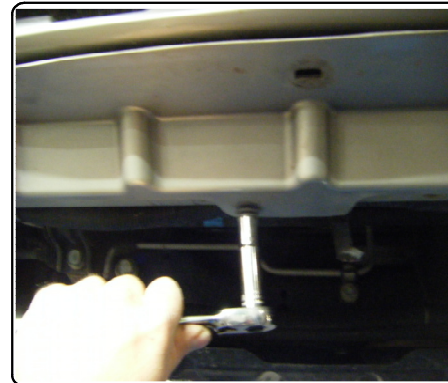


1. If front tow hooks are present, proceed with steps 1-6 and then skip to step 10. If no tow hooks are present, skip to step 7.

Remove vehicle grill by removing (6) plastic fasteners.



2. Begin the removal of front bumper cover by first removing the (2) lower screws from the bottom of bumper cover. Then remove (4) plastic fasteners from top of bumper cover.

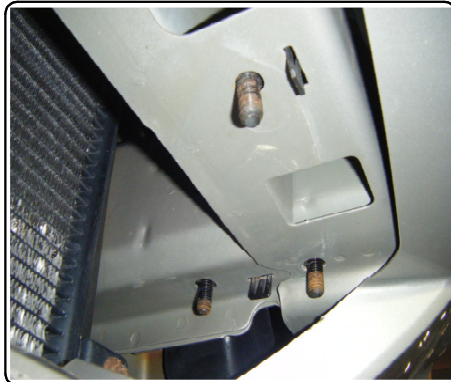


INSTALLATION WALKTHROUGH:

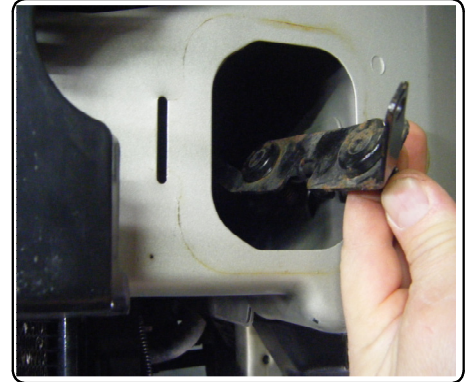
3. Continue bumper cover removal by removing (3) plastic fasteners and (1) socket screw in each wheel well.



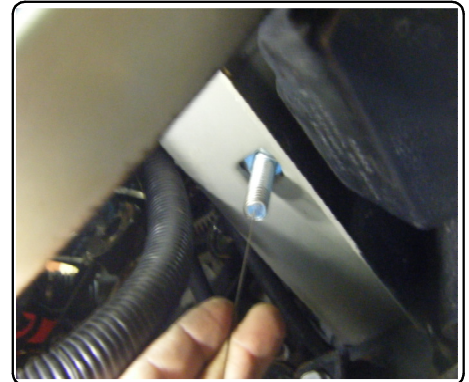
4. Remove factory tow hooks and lock nuts. These will not be reinstalled and should be returned to vehicle owner.



5. Remove the front frame end caps to allow removal of factory installed tow hook hardware.

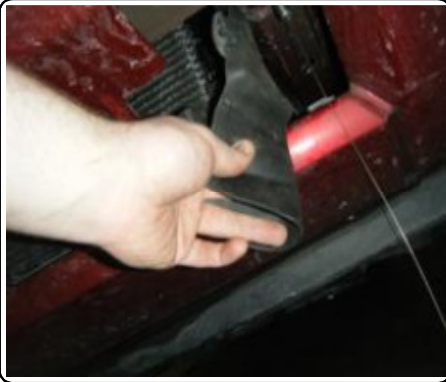


6. Fishwire (2) carriage bolts and spacers through the front of each frame rail and out middle round hole and rear square hole, as shown



INSTALLATION WALKTHROUGH:

7. Locate and remove rubber plug located in lower grill on each side of the radiator.



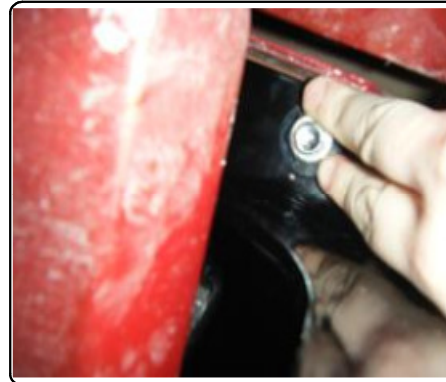
9. Fishwire 1/2" carriage bolts and CM-SP40 spacer into frame rail and out middle round holes.



8. Enlarge the square hole on driver and passenger side of vehicle to allow 1/2" carriage bolts and CM-SP40 spacers to pass into the frame rails.

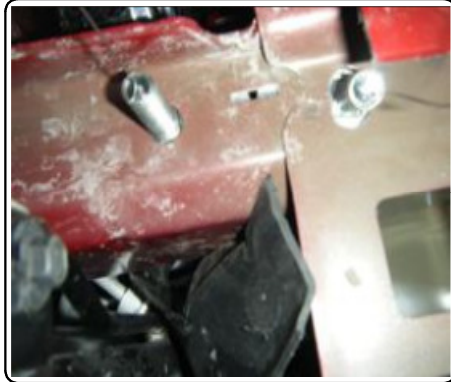
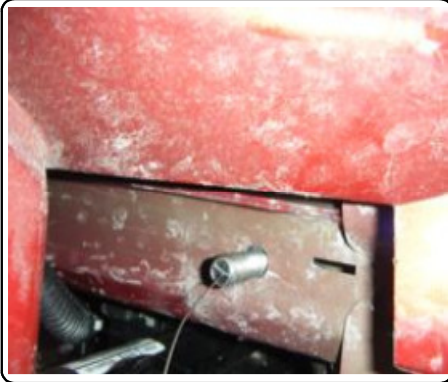


10. Install driver side and passenger side plates and secure with 1/2" hex flange nuts. Using the hitch side plates as a template, drill front holes.

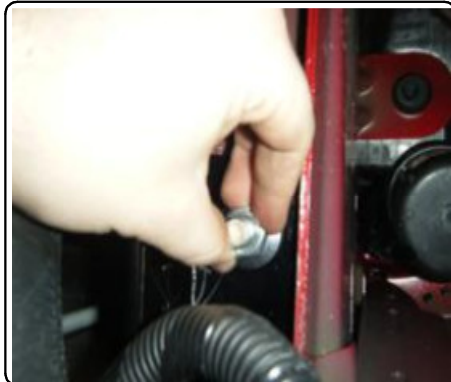


INSTALLATION WALKTHROUGH:

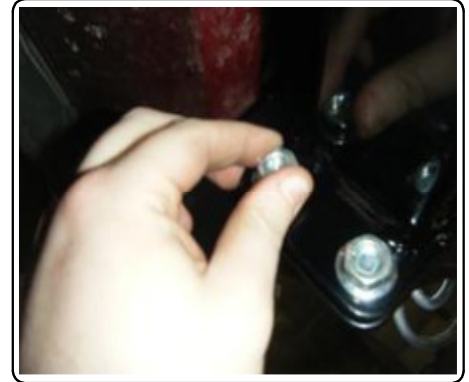
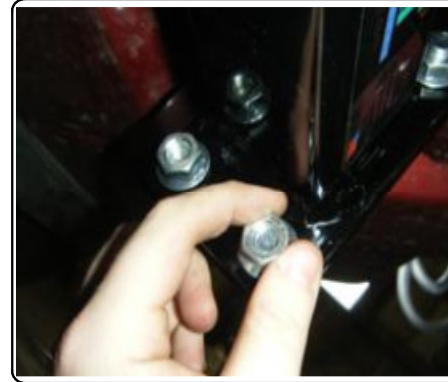
11. Remove side plates. Fishwire 1/2" carriage bolts and CM-SP40 spacers through drilled holes. Reverse fishwire 1/2" carriage bolts and CM-SP40 spacers into enlarged holes. (Reverse fishwiring hardware is not necessary if bumper removal was performed)



12. Install side plates and secure with 1/2" hex flange nuts.



13. Install hitch center section and secure with 7/16" carriage bolts and 7/16" hex flange nuts.



14. Torque 1/2" hardware to 110 lb-ft and 7/16" hardware to 70 lb-ft.

Reinstall bumper in reverse order that it was removed.



31056

JEEP COMMANDER

11/30/2012

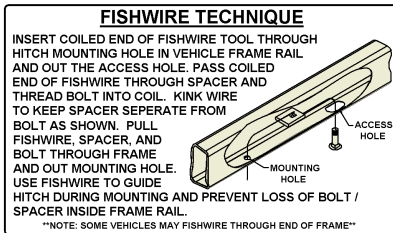
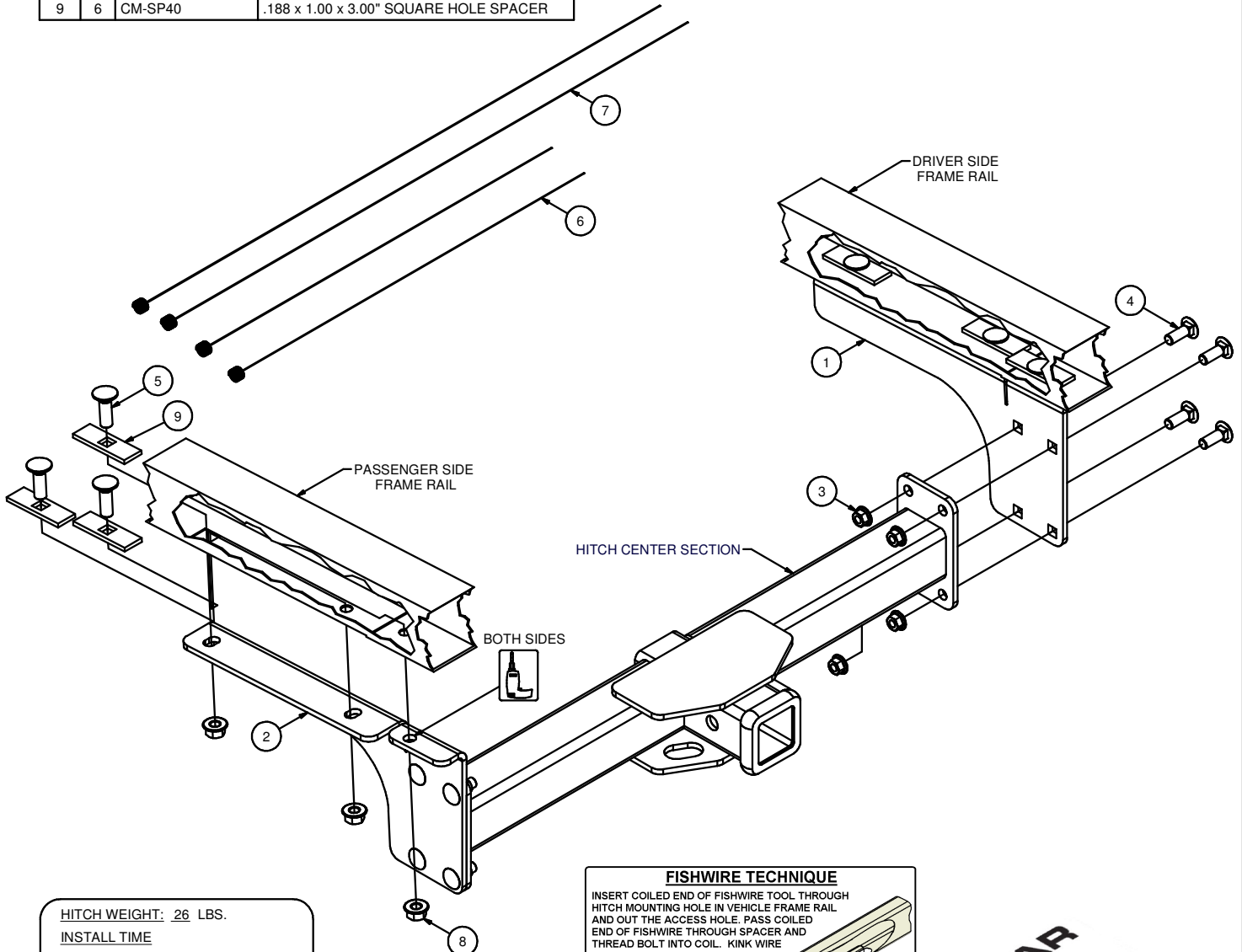
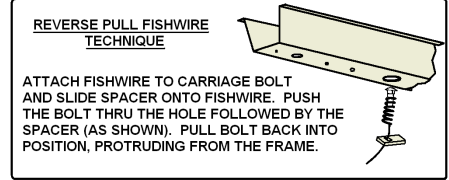
GROSS LOAD CAPACITY WHEN USED AS A WEIGHT CARRYING HITCH: 3,500 LBS. TRAILER WEIGHT & 350 LBS. TONGUE WEIGHT.

GROSS LOAD CAPACITY WHEN USED AS A STRAIGHT LINE PULL: 9,000 LBS. MAX. LINE PULL.

***** DO NOT EXCEED VEHICLE MANUFACTURER'S RECOMMENDED TOWING CAPACITY. *****

HAVING INSTALLATION QUESTIONS? CALL TECHNICAL SUPPORT AT 1-800-798-0813

Parts List			
ITEM	QTY	PART NUMBER	DESCRIPTION
1	1	CM-31056-DS	.250" DRIVER SIDE PLATE
2	1	CM-31056-PS	.250" PASSENGER SIDE PLATE
3	8	7/16-14	HEX FLANGE NUT
4	8	7/16-14 x 1 1/4	CARRIAGE BOLT
5	6	1/2-13 x 1 1/2	CARRIAGE BOLT
6	2	1_2 FISHWIRE	1/2" FISHWIRE
7	2	1_2 x 30 FISHWIRE	1/2" x 30" FISHWIRE
8	6	HFN 1213	HEX FLANGE NUT
9	6	CM-SP40	.188 x 1.00 x 3.00" SQUARE HOLE SPACER



HITCH WEIGHT: 26 LBS.

INSTALL TIME

PROFESSIONAL: 90 MINUTES
NOVICE (DIY): 180 MINUTES

INSTALL NOTES:

- DRILLING REQUIRED
- ENLARGE HOLES
- FISHWIRE HARDWARE
- REMOVE RUBBER PLUGS

PERIODICALLY CHECK THIS RECEIVER HITCH TO ENSURE THAT ALL FASTENERS ARE TIGHT AND THAT ALL STRUCTURAL COMPONENTS ARE SOUND.

Curt Manufacturing Inc., warrants this product to be free of defects in material and/or workmanship at the time of retail purchase by the original purchaser. If the product is found to be defective, Curt Manufacturing Inc., may repair or replace the product, at their option, when the product is returned, prepaid, with proof of purchase. Alteration to, misuse of, or improper installation of this product voids the warranty. Curt Manufacturing Inc.'s liability is limited to repair or replacement of products found to be defective, and specifically excludes liability for incidental or consequential loss or damage.

31056**JEEP COMMANDER**

11/30/2012

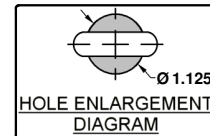
GROSS LOAD CAPACITY WHEN USED AS A WEIGHT CARRYING HITCH: 3,500 LBS. TRAILER WEIGHT & 350 LBS. TONGUE WEIGHT.

GROSS LOAD CAPACITY WHEN USED AS A STRAIGHT LINE PULL: 9,000 LBS. MAX. LINE PULL.

***** DO NOT EXCEED VEHICLE MANUFACTURER'S RECOMMENDED TOWING CAPACITY. *****

HAVING INSTALLATION QUESTIONS? CALL TECHNICAL SUPPORT AT 1-800-798-0813

TOOLS REQUIRED
RATCHET
6" SOCKET EXTENSION
10mm, 15mm, 3/4" & 1 1/16" SOCKET
DRILL
1/2" DRILL BIT
DIE GRINDER
TORQUE WRENCH
UTILITY KNIFE
CENTER PUNCH

**INSTALLATION STEPS**

NOTE: A. Steps 1-8 are for models equipped with factory installed tow hooks and no hole enlargement. Once steps 1-8 are complete, skip to step 12.

B. Hole enlargement is preferred on vehicles without tow hooks. Skip to step 9 for hole enlargement procedure.

1. Take off vehicle grill by removing (6) plastic fasteners.
2. Begin the removal of front bumper cover by first removing the (2) lower screws from the bottom of bumper.
3. Remove the (4) plastic fasteners from top of bumper cover.
4. Continue bumper cover removal by removing (3) plastic fasteners and (1) socket screw in each wheel well.
5. Carefully pull bumper cover away from frame.
6. Remove factory tow hooks and lock nuts. These will not be reinstalled and can be returned to vehicle owner.
7. Remove the front frame end caps to allow removal of factory installed tow hook hardware.
8. Fishwire (2) 1/2" carriage bolts and CM-SP40 spacers through the front of each frame rail and out the rear (2) holes, as shown.

NOTE: (Steps 9-11 are for the hole enlargement option)

9. Trim and remove rubber plugs located in bottom grill on each side of the vehicle radiator.
10. Enlarge square hole in bottom of both frame rails to allow 1/2" carriage bolts and CM-SP40 spacers to pass into the frame rails.
11. Fishwire 1/2" carriage bolts and CM-SP40 into frame rails and out middle round holes.
12. Install side plates and secure with 1/2" hex flange nuts.
13. Using the side plates as a template, drill the front holes.
14. Remove the side plates and fishwire 1/2" carriage bolts and CM-SP40 spacers through the drilled holes using the long fishwires.
15. Reverse fishwire 1/2" carriage bolts and CM-SP40 spacers into the enlarged holes.
16. Reinstall side plates and secure with 1/2" hex flange nuts.
17. Install the hitch center section and secure with 7/16" carriage bolts and 7/16" hex flange nuts.
18. Torque 1/2" hardware to 110 lb-ft and 7/16" hardware to 70 lb-ft.
19. Reinstall bumper fascia and frame end caps in reverse order that they were removed.

PERIODICALLY CHECK THIS RECEIVER HITCH TO ENSURE THAT ALL FASTENERS ARE TIGHT AND THAT ALL STRUCTURAL COMPONENTS ARE SOUND.

Curt Manufacturing Inc., warrants this product to be free of defects in material and/or workmanship at the time of retail purchase by the original purchaser. If the product is found to be defective, Curt Manufacturing Inc., may repair or replace the product, at their option, when the product is returned, prepaid, with proof of purchase. Alteration to, misuse of, or improper installation of this product voids the warranty. Curt Manufacturing Inc.'s liability is limited to repair or replacement of products found to be defective, and specifically excludes liability for incidental or consequential loss or damage.

*****DO NOT EXCEED VEHICLE MANUFACTURER'S RECOMMENDED TOWING CAPACITY*****.

FRONT MOUNTED ACCESSORIES

1) Do not exceed front axle Gross Weight Rating (GAWR). Consult owners manual or specification plate located on driver's door frame. Measure gross front axle weight by placing front wheels of loaded vehicle on a scale.

WARNING: Exceeding GAWR may overload the front axle and/or suspension. This could result in **accident, property damage and personal injury.**

- 2) Reposition front mounted license plate if obstructed.
- 3) Do not obstruct vehicle lights.
- 4) Allow free air flow into grille opening.
- 5) Rear wheel traction may be reduced. This could effect handling. Reduce speed and drive with caution.
- 6) Accessories extend front of vehicle. This may reduce approach angle. Use caution when parking and maneuvering.
- 7) Do not obstruct driver view.

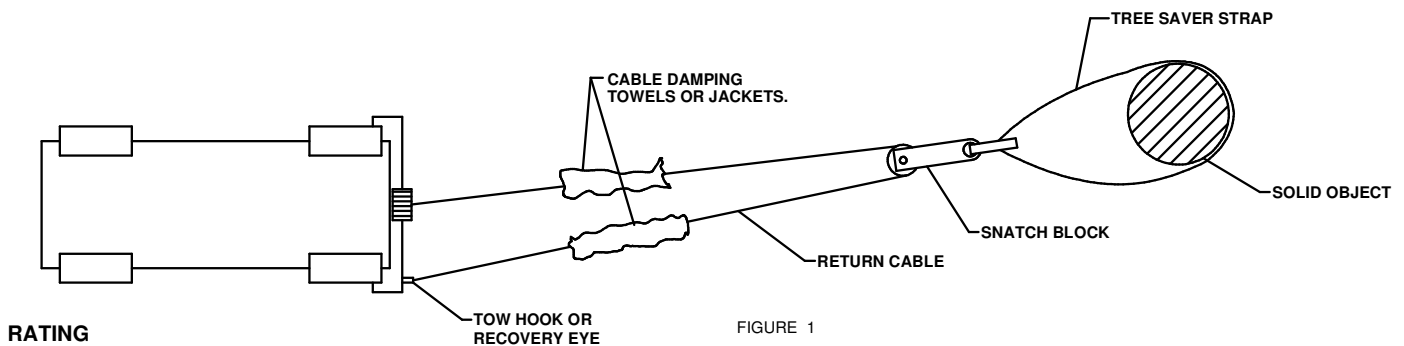
VEHICLE RECOVERY AND WINCHING TIPS

1) Use OEM tow hooks, recovery eyes or a clevis mount for attachment of a tow strap or winch cable.

WARNING: NEVER use a ball and/or ball mount as an anchor point for tow strap or winch cable. Severe personal injury or death could result.

- 2) Observe winch manufacturer's recommendations, cautions and warnings.
- 3) Attach return cable to tow hook or recovery eye when using a snatch block (See figure 1).

CAUTION: Do not attach return cable to winch mount. This may overload winch mount and/or front mounted receiver.



RATING

For **Maximum** line pull rating, winch cable must not exceed:

- 15 degree angle up or down from horizontal (See Figure 2).
- 45 degree angle left or right from straight ahead (See Figure 3).

CAUTION: Exceeding the maximum line pull rating may over load winch, winch mount, and/or front mounted receiver.

