

15300**73-97 FORD F-SERIES (OLD BODY STYLE), 78-97 FORD BRONCO, 67-02 DODGE FULL SIZE****10/23/2012**

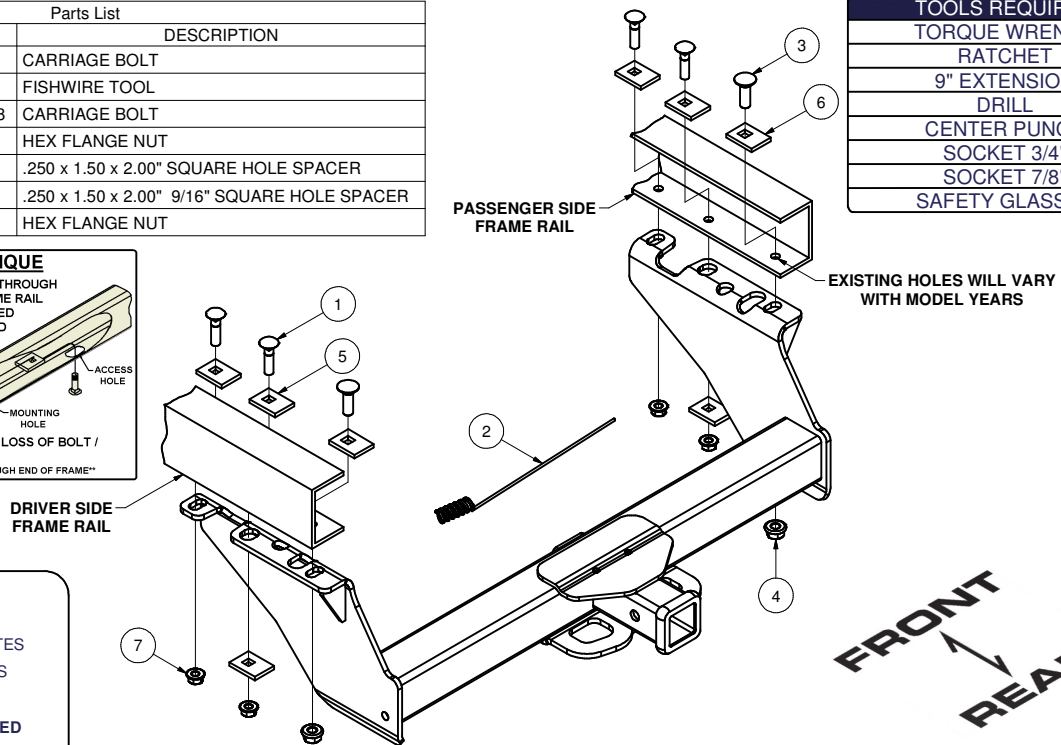
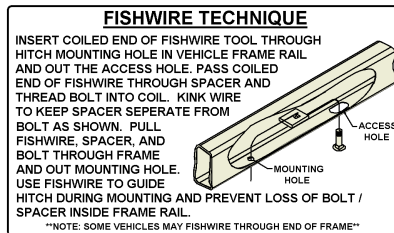
GROSS LOAD CAPACITY WHEN USED AS A WEIGHT CARRYING HITCH: 16,000 LBS. TRAILER WEIGHT & 2,400 LBS. TONGUE WEIGHT.
 GROSS LOAD CAPACITY WHEN USED AS A WEIGHT DISTRIBUTION HITCH: 17,000 LBS. TRAILER WEIGHT & 2,400 LBS. TONGUE WEIGHT

*****DO NOT EXCEED VEHICLE MANUFACTURER'S RECOMMENDED TOWING CAPACITY.*****

HAVING INSTALLATION QUESTIONS? CALL TECHNICAL SUPPORT AT 1-800-798-0813

Parts List			
ITEM	QTY	PART NUMBER	DESCRIPTION
1	4	1/2 - 13 x 2"	CARRIAGE BOLT
2	1	1/2"	FISHWIRE TOOL
3	2	9/16-12 x 1 3/4, GR8	CARRIAGE BOLT
4	2	9_16-12, GR8	HEX FLANGE NUT
5	6	CM-SP1	.250 x 1.50 x 2.00" SQUARE HOLE SPACER
6	2	CM-SP71	.250 x 1.50 x 2.00" 9/16" SQUARE HOLE SPACER
7	4	HFN 1213	HEX FLANGE NUT

TOOLS REQUIRED
TORQUE WRENCH
RATCHET
9" EXTENSION
DRILL
CENTER PUNCH
SOCKET 3/4"
SOCKET 7/8"
SAFETY GLASSES



HITCH WEIGHT: 52 LBS.

INSTALL TIME

PROFESSIONAL: 30 MINUTES

NOVICE (DIY): 60 MINUTES

INSTALL NOTES:

- DRILLING MAY BE REQUIRED
- FISHWIRE HARDWARE

INSTALLATION STEPS

1973-92 FORD: Lower the spare tire-

1. Using the large hole in the hitch as a guide, place this slot over the stock rivet on each side of frame. Center the hitch on the frame and mark the six holes which must be drilled.
2. Drill the two rearmost holes in the frame to accommodate 9/16" hardware. Drill the four forward-most holes in the frame to accommodate 1/2" hardware. Place proper bolts and spacers in the frame rails, as shown. Raise hitch into position and secure using flange nuts.

1993-97 FORD: Lower the spare tire-

1. Use the large slot in the hitch as a guide, place this slot over the stock rivet on each side of the frame.
2. Note that on some models the rear most holes in the hitch will line up with the small 1/4" holes in the vehicle frame. If this is the case drill these holes out to accommodate 9/16" hardware. If no holes are present follow the instructions for 1973-92 Ford.
3. Place a 9/16" carriage bolt and square hole spacer down through the frame in each of the drilled out holes.
4. Raise hitch into position, still using the rivet as a guide. Raise the hitch over the bolts on the vehicle frame and secure with flange nuts. Hand tighten only at this time.
5. Center the hitch and drill the remaining 1/2" holes using the hitch as a guide. **CAUTION:** This hitch must have 3 bolts on each side or failure may result.
6. Place 1/2" carriage bolts and square hole spacers in remaining holes and secure with a flange nuts.

1978-97 FORD BRONCO FULL SIZE: Note: If the bumper interferes with the receiver hitch, loosen the bumper brackets and reposition upward and retighten.

1. Using the large slot in the hitch as a guide, place this slot over the stock rivet on each side of the frame. Center the hitch on the frame and mark the six holes to be drilled.
2. Drill the two rearmost holes in the frame to accommodate 9/16" hardware. Drill the four forward-most holes in the frame to accommodate 1/2" hardware, take extra care around the gas tank.
3. A carriage bolt and square hole spacer must be placed in each hole. Because of the tight clearance with the gas tank the two forward holes on each side must be fishwired. Feed the bolts through the frame access hole located next to the cross member.
4. Raise the hitch back into position and secure each bolt with a flange nut.

1967-02 DODGE FULL SIZE: Note: If the bumper interferes with the receiver hitch, loosen the bumper brackets and reposition upward and retighten.

1. At the rear of the frame find the 1/2" round holes and enlarge holes to accommodate 9/16" hardware.
2. Place a 9/16" carriage bolt and square hole spacer down through the frame in each of the enlarged holes.
3. Raise hitch into position and secure with 9/16" flange nuts on each bolt, hand tighten only.
4. Center hitch and use as a template to drill remaining holes to accommodate 1/2" hardware.
5. Place a 1/2" carriage bolts and square hole spacers in all mounting holes.
6. Secure each bolt with a flange nut.

ALL MODELS: Due to the large size of the middle mounting hole, a square hole spacer must be placed between the hitch and the flange nut at that location. Torque all 1/2" hardware to 110 ft-lbs. Torque all 9/16" hardware to 150 ft-lbs. Reposition spare tire if necessary.

PERIODICALLY CHECK THIS RECEIVER HITCH TO ENSURE THAT ALL FASTENERS ARE TIGHT AND THAT ALL STRUCTURAL COMPONENTS ARE SOUND.

Curt Manufacturing LLC., warrants this product to be free of defects in material and/or workmanship at the time of retail purchase by the original purchaser. If the product is found to be defective, Curt Manufacturing LLC., may repair or replace the product, at their option, when the product is returned, prepaid, with proof of purchase. Alteration, misuse of, or improper installation of this product voids the warranty. Curt Manufacturing LLC.'s liability is limited to repair or replacement of products found to be defective, and specifically excludes liability for incidental or consequential loss or damage.