

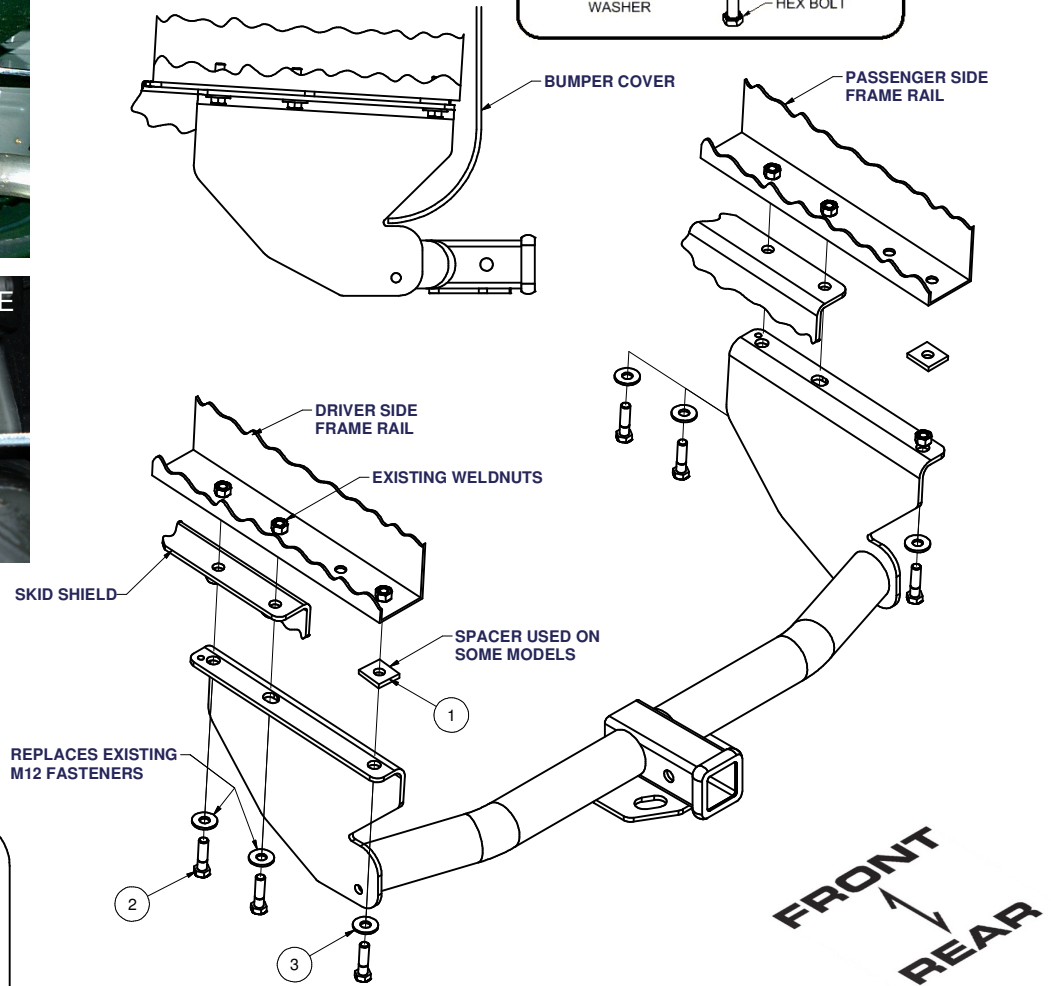
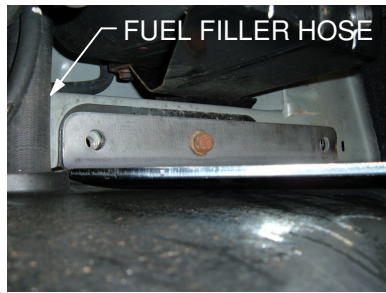
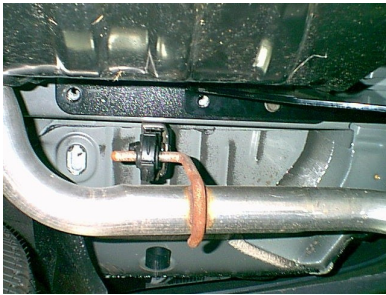
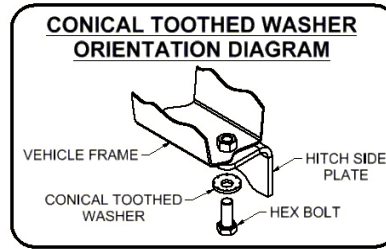
13051 / 78139 / RRH13051

99-04 JEEP GRAND CHEROKEE

7/11/2012

GROSS LOAD CAPACITY WHEN USED AS A WEIGHT CARRYING HITCH: 5,000 LBS. TRAILER WEIGHT & 500 LBS. TONGUE WEIGHT.
 GROSS LOAD CAPACITY WHEN USED AS A WEIGHT DISTRIBUTION HITCH: 6,000 LBS. TRAILER WEIGHT & 600 LBS. TONGUE WEIGHT
***** DO NOT EXCEED VEHICLE MANUFACTURER'S RECOMMENDED TOWING CAPACITY.*****

| Parts List | | | |
|------------|-----|-----------------|---------------------------------------|
| ITEM | QTY | PART NUMBER | DESCRIPTION |
| 1 | 2 | CM-SP25 | .250 x 1.38 x 1.50" ROUND HOLE SPACER |
| 2 | 6 | M12-1.75 x 45mm | HEX BOLT |
| 3 | 6 | 1/2" | CONICAL TOOTHED WASHER |



HITCH WEIGHT: 30 LBS.
 INSTALL TIME: 38 MINUTES
 INSTALL NOTES:
 - NO DRILLING REQUIRED

INSTALLATION STEPS

- 1) Remove tow hook if present. Remove the four rearmost M12 fasteners from the vehicle frame leaving the skid shield in place.
- 2) Raise hitch into position and loosely reinstall the four M12 Fasteners that were removed in step 2.
- 3) Place spacers between the frame and hitch before installing the supplied M12 hex bolts and conical washers as shown. Spacers are not required on vehicles equipped with skid shield supports. Remove the support bolts to install hitch.
- 4) With spacers or support bars between hitch and frame Torque all Fasteners to 79 lb.-ft.

PERIODICALLY CHECK THIS RECEIVER HITCH TO ENSURE THAT ALL FASTENERS ARE TIGHT AND THAT ALL STRUCTURAL COMPONENTS ARE SOUND.

Curt Manufacturing Inc., warrants this product to be free of defects in material and/or workmanship at the time of retail purchase by the original purchaser. If the product is found to be defective, Curt Manufacturing Inc., may repair or replace the product, at their option, when the product is returned, prepaid, with proof of purchase. Alteration to, misuse of, or improper installation of this product voids the warranty. Curt Manufacturing Inc.'s liability is limited to repair or replacement of products found to be defective, and specifically excludes liability for incidental or consequential loss or damage.