

11712 77-91 PORSCHE 924 & 944 (OEM BUMPER ONLY)

12/7/2012

GROSS LOAD CAPACITY WHEN USED AS A WEIGHT CARRYING HITCH: 1,000 LBS. TRAILER WEIGHT & 100 LBS. TONGUE WEIGHT.

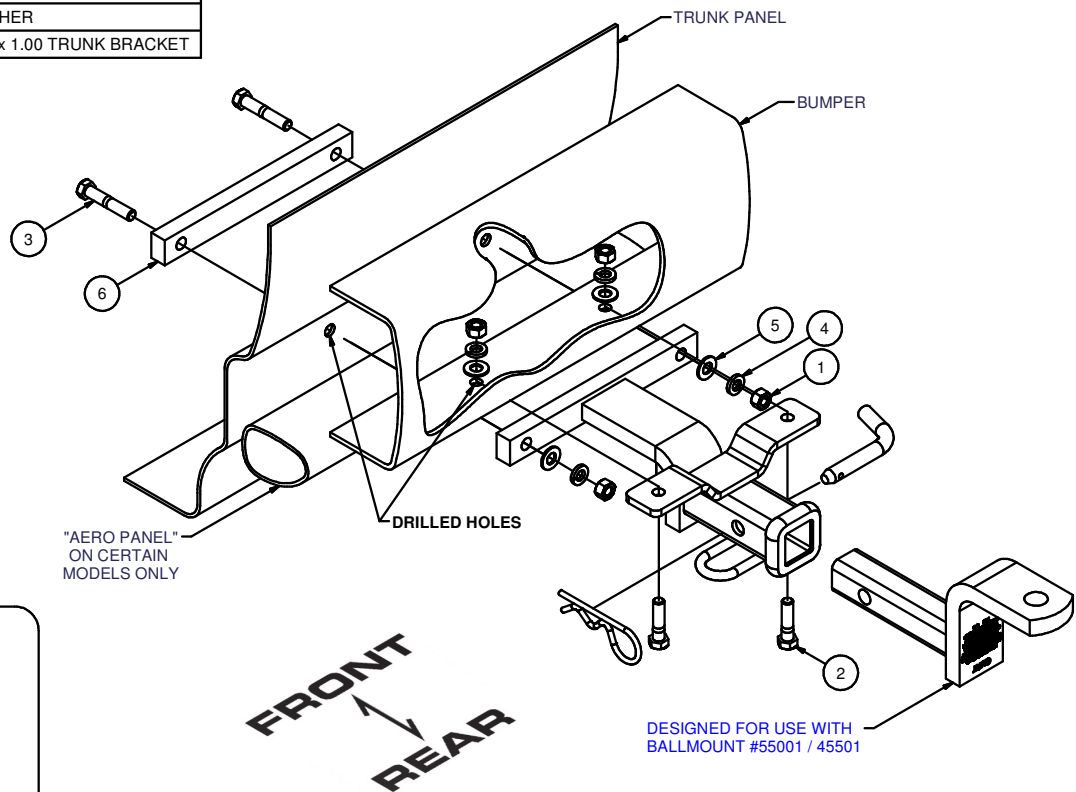
DO NOT EXCEED VEHICLE MANUFACTURER'S RECOMMENDED TOWING CAPACITY.

WARNING: ALL NON-TRAILER LOADS APPLIED TO THIS PRODUCT MUST BE SUPPORTED BY 18050 STABILIZING STRAPS.

** FAILURE TO PROPERLY SUPPORT NON-TRAILER LOADS WILL VOID PRODUCT WARRANTY**

HAVING INSTALLATION QUESTIONS? CALL TECHNICAL SUPPORT AT 1-800-798-0813

Parts List			
ITEM	QTY	PART NUMBER	DESCRIPTION
1	4	3/8 - 16	HEX NUT
2	2	3/8-16 X 1 1/2	HEX BOLT
3	2	3/8 - 16 x 2	HEX BOLT
4	4	3/8"	LOCK WASHER
5	4	3/8"	WASHER
6	1	CM-11712-TB	.625 x 1.00 TRUNK BRACKET



HITCH WEIGHT: 12 LBS.

INSTALL TIME

PROFESSIONAL: 30 MINUTES

NOVICE (DIY): 60 MINUTES

INSTALL NOTES:

- DRILLING REQUIRED
- CLEAR TRUNK
- SILICONE SEAL HARDWARE

INSTALLATION STEPS

1. Temporarily remove contents from the trunk.
2. Position hitch under rear of vehicle against the rear panel, if car has the "AERO PANEL" the hitch will pass over it.
3. Center the hitch and use as a template to mark and drill holes in the trunk and bumper for 3/8" hardware.
4. With CM-11712-TB trunk bracket on the inside of the trunk, install the 3/8 x 2" bolts through the trunk backing plate and hitch as shown above. Install washers and 3/8" nuts but do not tighten.
5. Install 3/8 x 1 1/2" bolts up through the hitch and bumper and install 3/8" washers and nuts to these bolts.
6. Torque all 3/8" hardware to 45 lb-ft.
7. Silicone seal hardware installed through the trunk.
8. Reinstall contents in trunk that were removed in Step 1.

PERIODICALLY CHECK THIS RECEIVER HITCH TO ENSURE THAT ALL FASTENERS ARE TIGHT AND THAT ALL STRUCTURAL COMPONENTS ARE SOUND.

Curt Manufacturing Inc., warrants this product to be free of defects in material and/or workmanship at the time of retail purchase by the original purchaser. If the product is found to be defective, Curt Manufacturing Inc., may repair or replace the product, at their option, when the product is returned, prepaid, with proof of purchase. Alteration to, misuse of, or improper installation of this product voids the warranty. Curt Manufacturing Inc.'s liability is limited to repair or replacement of products found to be defective, and specifically excludes liability for incidental or consequential loss or damage.