

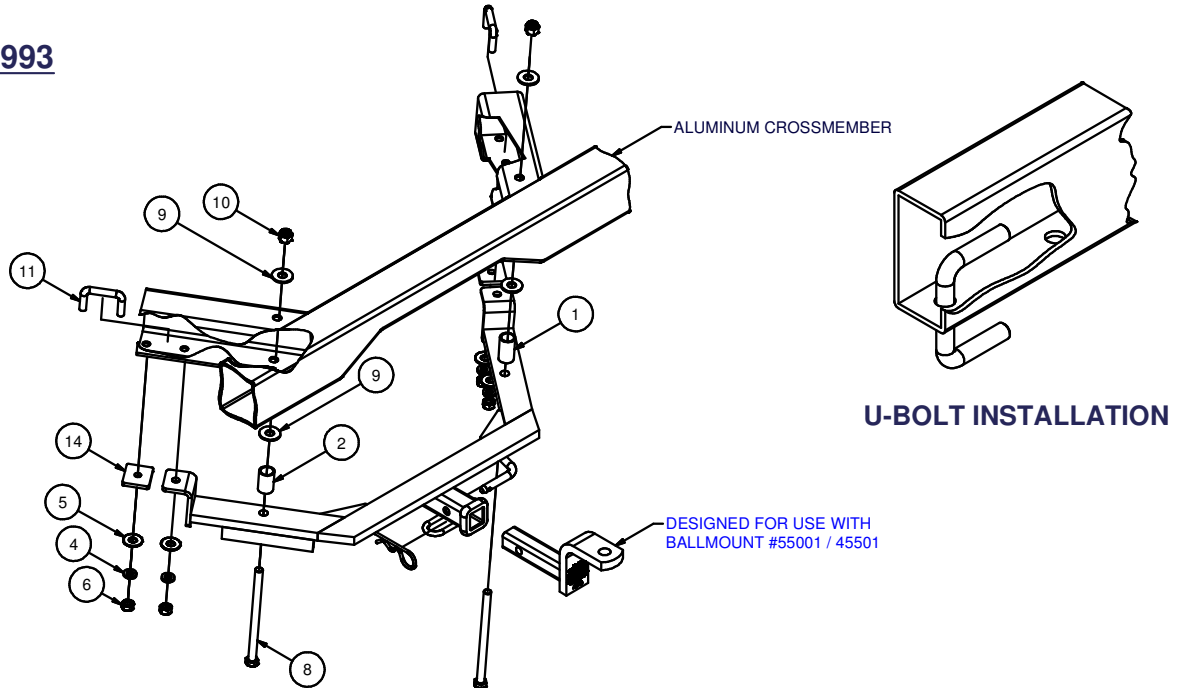
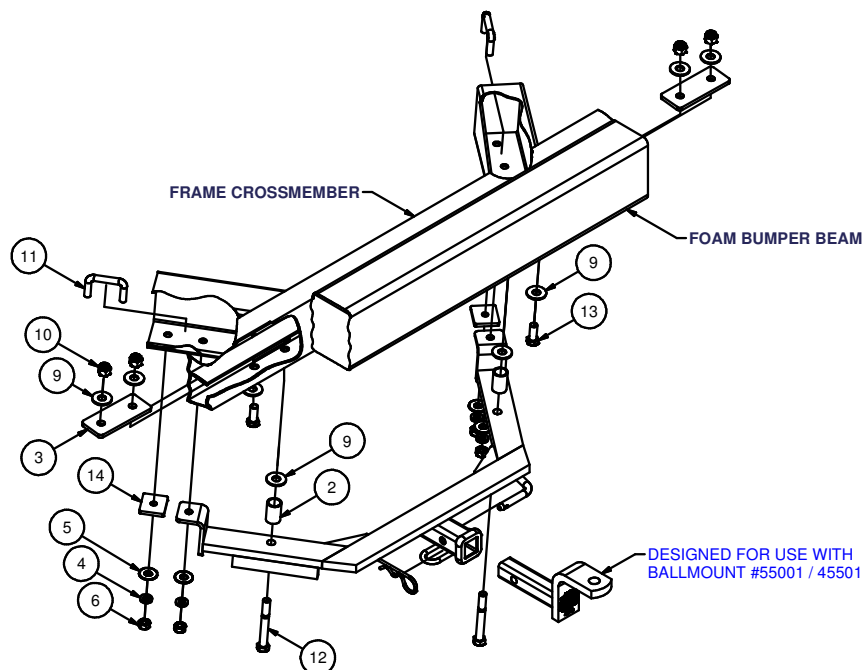
11705**84-96 CHEVROLET CORVETTE**

EXCLUDING 40TH ANNIVERSARY

11/19/2012

GROSS LOAD CAPACITY WHEN USED AS A WEIGHT CARRYING HITCH: 2,000 LBS. TRAILER WEIGHT & 200 LBS. TONGUE WEIGHT.
*****DO NOT EXCEED VEHICLE MANUFACTURER'S RECOMMENDED TOWING CAPACITY.*****

| Parts List | | | | Parts List | | | |
|------------|-----|----------------------|--------------------------|------------|-----|---------------------------|--------------------------|
| ITEM | QTY | PART NUMBER | DESCRIPTION | ITEM | QTY | PART NUMBER | DESCRIPTION |
| 1 | 2 | CM-11705-TS | 1.00 OD TUBE SPACER | 8 | 2 | 1_2 - 13 x 7 1_2 HEX | HEX BOLT |
| 2 | 2 | CM-11705-TS2 | 1.00 OD TUBE SPACER 2 | 9 | 18 | FW12 | FW, 12, ZP |
| 3 | 2 | CM-11705-BP | .25 x 2.00 BACKING PLATE | 10 | 6 | 1_2 - 13 | NYLOCK HEX NUT |
| 4 | 4 | 7/16 LOCK WASHER | HELICAL LOCK WASHER | 11 | 2 | 7/16-14 x 1.63 x 2.50 C-C | SQ. U-BOLT |
| 5 | 4 | 7/16 WASHER | WASHER | 12 | 2 | 1_2 - 13 x 4 | HEX BOLT |
| 6 | 4 | 7/16-14 | HEX NUT | 13 | 2 | 1/2-13 x 1 1/4 | HEX BOLT |
| 7 | 2 | 1_2 - 13 x 6 1_2 HEX | HEX BOLT | 14 | 2 | CM-SP102 | .25 x 1.75 x 2.00 SPACER |

1984 - EARLY 1993**LATE 1993 - 1996**

Curt Manufacturing Inc., warrants this product to be free of defects in material and/or workmanship at the time of retail purchase by the original purchaser. If the product is found to be defective, Curt Manufacturing Inc., may repair or replace the product, at their option, when the product is returned, prepaid, with proof of purchase. Alteration to, misuse of, or improper installation of this product voids the warranty. Curt Manufacturing Inc.'s liability is limited to repair or replacement of products found to be defective, and specifically excludes liability for incidental or consequential loss or damage.

11705

84-96 CHEVROLET CORVETTE

**GROSS LOAD CAPACITY WHEN USED AS A WEIGHT CARRYING HITCH: 2,000 LBS. TRAILER WEIGHT & 200 LBS. TONGUE WEIGHT.
DO NOT EXCEED VEHICLE MANUFACTURER'S RECOMMENDED TOWING CAPACITY.**

HITCH WEIGHT: 26 LBS.

INSTALL TIME 45

PROFESSIONAL: 45 MINUTES

NOVICE (DIY): 90 MINUTES

INSTALL NOTES:

- HOLE ENLARGEMENT REQUIRED
- DRILLING REQUIRED

INSTALLATION STEPS

INSTALLATION FOR CARS: 1984 - EARLY 1993

1. Position hitch under the car's aluminum crossmember and frame rails centered side/side, and fore/aft with enough clearance for hitch ball and spare tire mounting bolt.
2. Mark the frame rails for forward legs of U-bolts, exactly 2 1/2" center to center forward of other marks.
3. Centerpunch and drill these (4) holes for 1/2" diameter bolts through the bottom surface of frame rails. Centerpunch and drill holes through the brackets, bottom and top surface of frame rails with 17/32" diameter holes. Enlarge hole in bracket to 7/8 diameter to accommodate the spacer tubes. **Caution: Avoid gas tank when drilling.**
4. Install U-bolts inside frame opposite the hitch following the diagram. Mount the hitch using fasteners as shown.

NOTES: 1) Some models require 1/2" X 7 1/2" rather than 1/2" X 6 1/2" hex bolts.

2) Be certain to use washers between the spacer tubes and the frame, and between the locking nut and frame.

3) Hitch can be adjusted down by using more washes as spacers.

5. Torque all 7/16" hardware to 70 lb-ft and 1/2" hardware to 110 lb-ft.

INSTALLATION FOR CARS FROM LATE 1993 - 1996

1. Position the hitch under the car's aluminum crossmember and frame rails centered side/side and fore/aft with clearance for hitch ball and spare tire mounting bolts. Holes in crossmember must fall 1" from the forward face of crossmember. Using the hitch as a template, mark the frame rails for (4) 7/16" hitch mounting holes.
2. Using the backing plates as a template, mark the outboard holes on the crossmember. Mark the frame rails for forward legs for U-bolts exactly 2 1/2" center to center forward of other mark.
3. Centerpunch and drill these (4) holes through the bottom surface of frame rails, 1/2" diameter bolts. Centerpunch and drill four holes through the bottom surface of the crossmember 17/32" diameter.
4. Install U-bolts inside the frame opposite the hitch, following the diagram. Mount the hitch using fasteners as shown.

NOTES: Be certain to use washers between spacer tubes and crossmember, and between locking nut and crossmember.

Hitch can be adjusted up and down by using more washers as spacers.

5. Torque all 7/16" hardware to 70 lb-ft and 1/2" hardware to 110 lb-ft.

**PERIODICALLY CHECK THIS RECEIVER HITCH TO ENSURE THAT ALL FASTENERS
ARE TIGHT AND THAT ALL STRUCTURAL COMPONENTS ARE SOUND.**

Curt Manufacturing Inc., warrants this product to be free of defects in material and/or workmanship at the time of retail purchase by the original purchaser. If the product is found to be defective, Curt Manufacturing Inc., may repair or replace the product, at their option, when the product is returned, prepaid, with proof of purchase. Alteration to, misuse of, or improper installation of this product voids the warranty. Curt Manufacturing Inc.'s liability is limited to repair or replacement of products found to be defective, and specifically excludes liability for incidental or consequential loss or damage.