

11602

81-85 MAZDA RX-7

7/1/2012

GROSS LOAD CAPACITY WHEN USED AS A WEIGHT CARRYING HITCH: 1,000 LBS. TRAILER WEIGHT & 100 LBS. TONGUE WEIGHT.

*****DO NOT EXCEED VEHICLE MANUFACTURER'S RECOMMENDED TOWING CAPACITY.*****

WARNING: ALL NON-TRAILER LOADS APPLIED TO THIS PRODUCT MUST BE SUPPORTED BY 18050 STABILIZING STRAPS.

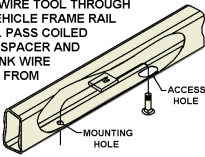
**** FAILURE TO PROPERLY SUPPORT NON-TRAILER LOADS WILL VOID PRODUCT WARRANTY****

HAVING INSTALLATION QUESTIONS? CALL TECHNICAL SUPPORT AT 1-800-798-0813

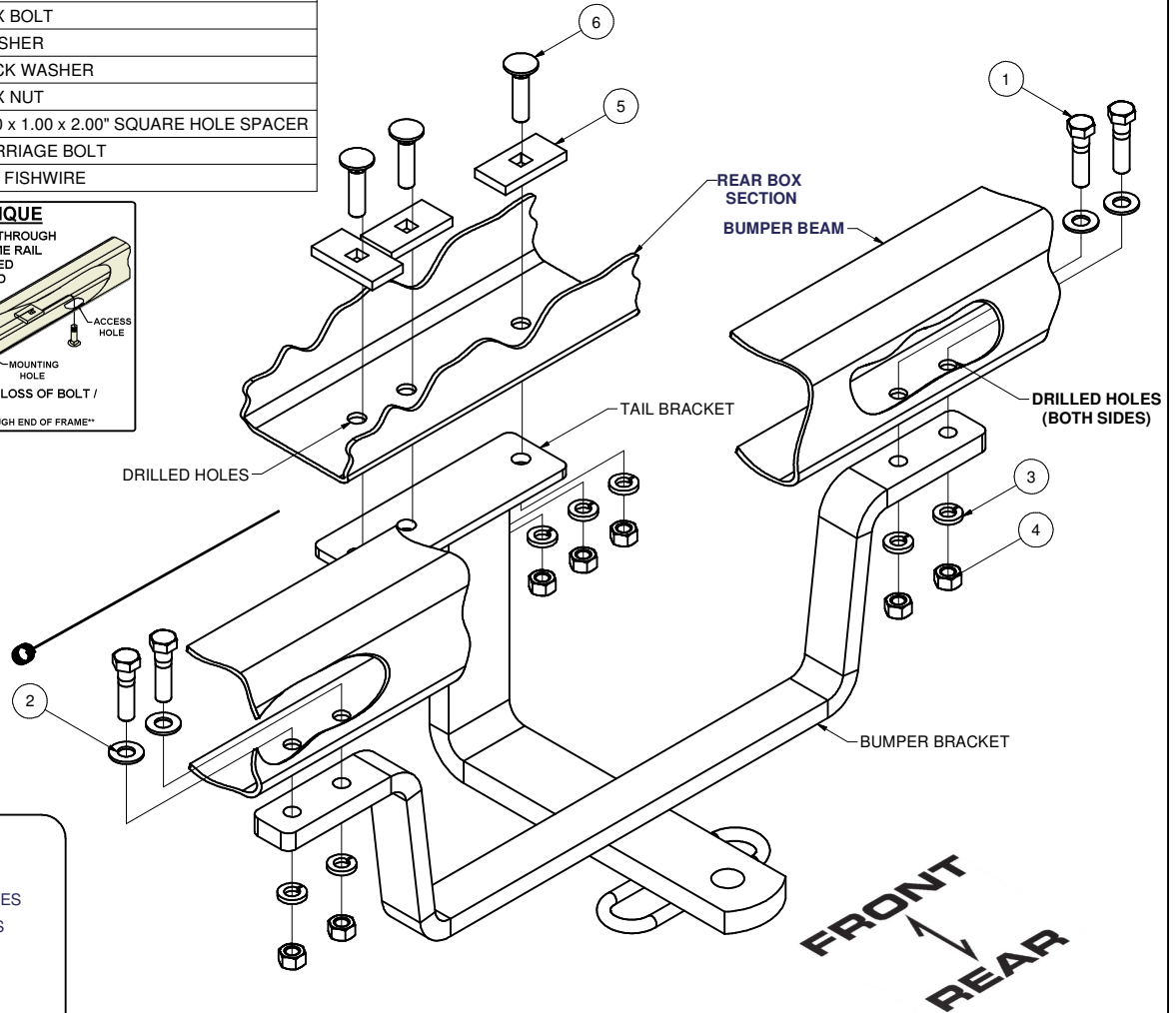
Parts List				
ITEM	QTY	PART NUMBER	DESCRIPTION	
1	4	3/8-16 X 1 1/2	HEX BOLT	
2	4	3/8"	WASHER	
3	7	3/8"	LOCK WASHER	
4	7	3/8 - 16	HEX NUT	
5	3	CM-SP18	.250 x 1.00 x 2.00" SQUARE HOLE SPACER	
6	3	3/8-16 x 1 1/2	CARRIAGE BOLT	
7	1	3_8 FISHWIRE	3/8" FISHWIRE	

FISHWIRE TECHNIQUE

INSERT COILED END OF FISHWIRE TOOL THROUGH HITCH MOUNTING HOLE IN VEHICLE FRAME RAIL AND OUT THE ACCESS HOLE. PASS COILED END OF FISHWIRE THROUGH SPACER AND THREAD BOLT INTO COIL. KINK WIRE TO KEEP SPACER SEPARATE FROM BOLT AS SHOWN. PULL FISHWIRE, SPACER, AND BOLT THROUGH FRAME AND OUT MOUNTING HOLE. USE FISHWIRE TO GUIDE HITCH DURING MOUNTING AND PREVENT LOSS OF BOLT / SPACER INSIDE FRAME RAIL.



NOTE: SOME VEHICLES MAY FISHWIRE THROUGH END OF FRAME



HITCH WEIGHT: 13 LBS.

INSTALL TIME

PROFESSIONAL: 30 MINUTES

NOVICE (DIY): 60 MINUTES

INSTALL NOTES:

- DRILLING REQUIRED
- TEMPORARILY REMOVE LICENSE PLATE
- FISHWIRE HARDWARE

INSTALLATION STEPS

1. Temporarily remove the license plate. On the underside of the vehicle's rear bumper next to the license plate recess, remove (3) fasteners on both sides that attach the bumper beam to the vertical stiffeners inside the channel.
2. The hitch bumper bracket will bolt up to the same holes. These holes must be drilled to accept 3/8" fasteners. Drill up through the hitch bumper bracket to open the holes.
3. Using hitch as a template mark and drill the vehicle's box section for 3/8" fasteners. The 3/8" fastener and CM-SP1 spacer on the passenger side need to be fishwired into the vehicle's box section. Drill a 1" hole through the bottom of the box section just outboard of the hitch tail bracket to fishwire this hardware.
4. Bolt the hitch in place using fasteners as shown. Torque all 3/8" fasteners to 45 lb-ft.
5. Reinstall license plate.

PERIODICALLY CHECK THIS RECEIVER HITCH TO ENSURE THAT ALL FASTENERS ARE TIGHT AND THAT ALL STRUCTURAL COMPONENTS ARE SOUND.

Curt Manufacturing Inc., warrants this product to be free of defects in material and/or workmanship at the time of retail purchase by the original purchaser. If the product is found to be defective, Curt Manufacturing Inc., may repair or replace the product, at their option, when the product is returned, prepaid, with proof of purchase. Alteration to, misuse of, or improper installation of this product voids the warranty. Curt Manufacturing Inc.'s liability is limited to repair or replacement of products found to be defective, and specifically excludes liability for incidental or consequential loss or damage.

217318