



Safety glasses should be worn at all times while installing this product.

YEARS: 2014-CURRENT

MAKE: MERCEDES-BENZ

MODEL: E-350

STYLE: WAGON

WARNING: NEVER EXCEED YOUR VEHICLE MANUFACTURER'S RECOMMENDED TOWING CAPACITY

WEIGHT CARRYING:
 TRAILER WEIGHT: 2,000 LBS.
 TONGUE WEIGHT: 200 LBS.

WARNING:
 WE RECOMMEND THE USE OF 18050 STABILIZING STRAPS FOR ALL NON-TRAILER (WHEEL-LESS) LOADS. PLEASE SEE THE CURT CATALOG OR VISIT US ONLINE AT WWW.CURTMFG.COM FOR FURTHER INFORMATION.

PRO INSTALL TIME: 30 MIN.
NOVICE INSTALL TIME: 60 MIN.

IF YOU ARE HESITANT TO UNDERTAKE THIS TASK ON YOUR OWN, CONTACT AN AUTHORIZED CURT INSTALLER FOR ADDITIONAL ASSISTANCE.

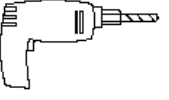
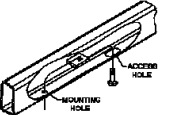
INSTALLATION REQUIRES:

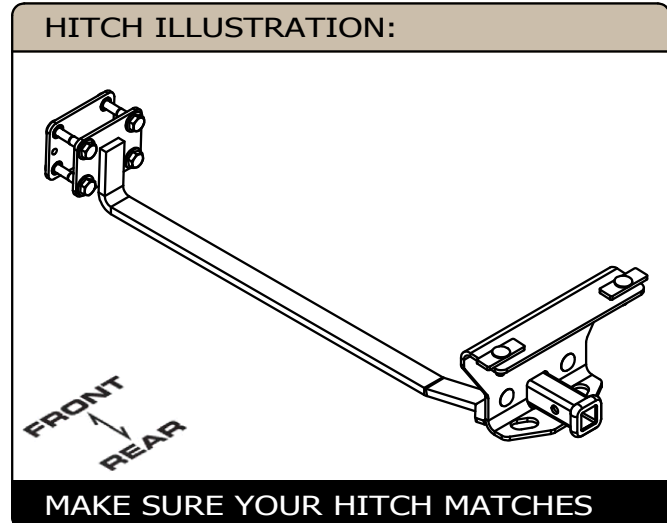
 RATCHET	 TORQUE WRENCH	 9" SOCKET EXTENSION
 3/4" SOCKET	 POWER DRILL	 DRILL BIT 9/16"
 CENTER PUNCH	 MASKING TAPE	 SAFETY GLASSES

INSTALLATION TIPS:

- BEFORE YOU BEGIN INSTALLATION, READ ALL INSTRUCTIONS THOROUGHLY.
- TO EASE INSTALLATION, 2 PEOPLE MAY BE REQUIRED.
- USING PROPER TOOLS WILL GREATLY IMPROVE THE QUALITY OF THE INSTALL AND REDUCE THE TIME REQUIRED.
- NEED HELP OR HAVE SOME QUESTIONS? CALL TECHNICAL SUPPORT AT 800.798.0813

LEVEL OF DIFFICULTY: MODERATE

EASY	MODERATE	CHALLENGING
	- DRILLING REQUIRED	
	- FISHWIRE HARDWARE	

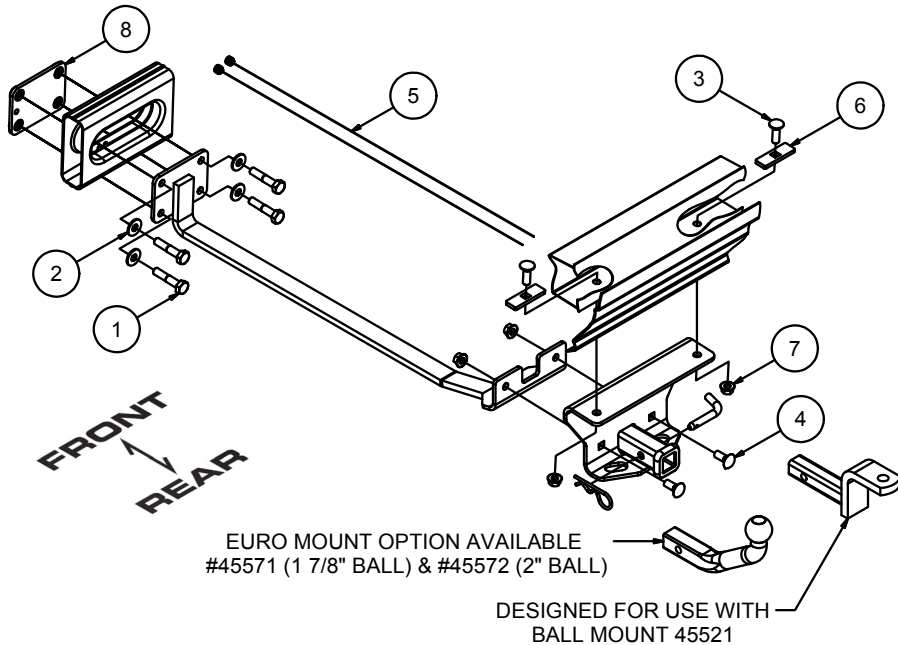


SCAN FOR MORE INFO

PERIODICALLY CHECK THIS RECEIVER HITCH TO ENSURE ALL FASTENERS ARE TIGHT AND ALL STRUCTURAL COMPONENTS ARE SOUND
 CURT Manufacturing LLC. warrants this product to be free of defects in material and/or workmanship at the time of retail purchase by the original purchaser. If the product is found to be defective, CURT Manufacturing LLC. may repair or replace the product at their option, when the product is returned, prepaid, with proof of purchase. Alteration to, misuse of, or improper installation of this product voids the warranty. CURT Manufacturing LLC.'s liability is limited to repair or replacement of products found to be defective, and specifically excludes liability for incidental or consequential loss or damage. For more information log onto www.curtmfg.com, & for helpful towing tips log onto www.hitchinfo.com

INSTALLATION WALKTHROUGH:

Parts List			
ITEM	QTY	PART NUMBER	DESCRIPTION
1	4	1/2 - 13 x 2 1/2	HEX BOLT
2	4	1/2"	CONICAL TOOTHED WASHER
3	2	1/2-13 x 1 1/2	CARRIAGE BOLT
4	2	1/2-13 x 1 1/4	CARRIAGE BOLT
5	2	1_2 x 30 FISHWIRE	1/2" x 30" FISHWIRE
6	2	CM-SP6	.250 x 1.00 x 3.00" SQUARE HOLE SPACER
7	4	HFN 1213	HEX FLANGE NUT
8	1	CM-NP1W	NUT PLATE WELDMNT



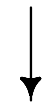
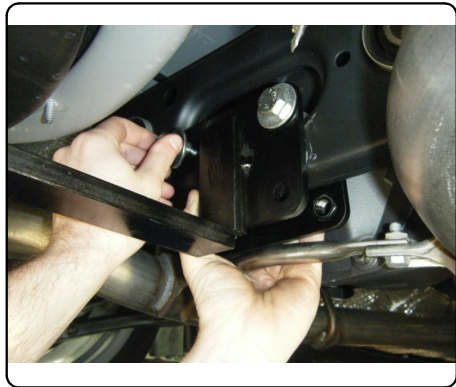
FISHWIRE TECHNIQUE

INSERT COILED END OF FISHWIRE TOOL THROUGH HITCH MOUNTING HOLE IN VEHICLE FRAME RAIL AND OUT THE ACCESS HOLE. PASS COILED END OF FISHWIRE THROUGH SPACER AND THREAD BOLT INTO COIL. KINK WIRE TO KEEP SPACER SEPERATE FROM BOLT AS SHOWN. PULL FISHWIRE, SPACER, AND BOLT THROUGH FRAME AND OUT MOUNTING HOLE. USE FISHWIRE TO GUIDE HITCH DURING MOUNTING AND PREVENT LOSS OF BOLT / SPACER INSIDE FRAME RAIL.

NOTE: SOME VEHICLES MAY FISHWIRE THROUGH END OF FRAME

CONICAL TOOTHED WASHER ORIENTATION DIAGRAM

1. Raise nut plate and mounting strap into position around the vehicle crossmember. Secure using 1/2"-13 x 2 1/2" hex bolts and 1/2" conical toothed washers.



2. Raise hitch past fascia lip and secure to mounting strap using 1/2"-13 x 1 1/4" carriage bolts and 1/2"-13 flange nuts.



INSTALLATION WALKTHROUGH:

3. Press hitch against the bottom of the bumper beam, using the hitch as a template mark hole locations with a center punch. **Note:** Verify hitch is centered on vehicle.



4. Lower hitch and drill hole locations with 9/16" drill bit. **Note:** Drilling a small pilot hole prior to the 9/16" hole will ease this process. Another option is to drill a small pilot hole and enlarge with a die grinder.



5. Fishwire 1/2"-13 x 2" carriage bolts and SP6 spacers through the end of the bumper beam and into holes drilled in Step 4. See Fishwire Technique Diagram



6. Raise hitch back into position and secure with 1/2"-13 flange nuts. Torque all 1/2" fasteners to 75 ft-lbs.

INSTALLATION COMPLETE



11404

MERCEDES BENZ E-350 WAGON

5/12/2015

GROSS LOAD CAPACITY WHEN USED AS A WEIGHT CARRYING HITCH: 2,000 LBS. TRAILER WEIGHT & 200 LBS. TONGUE WEIGHT.

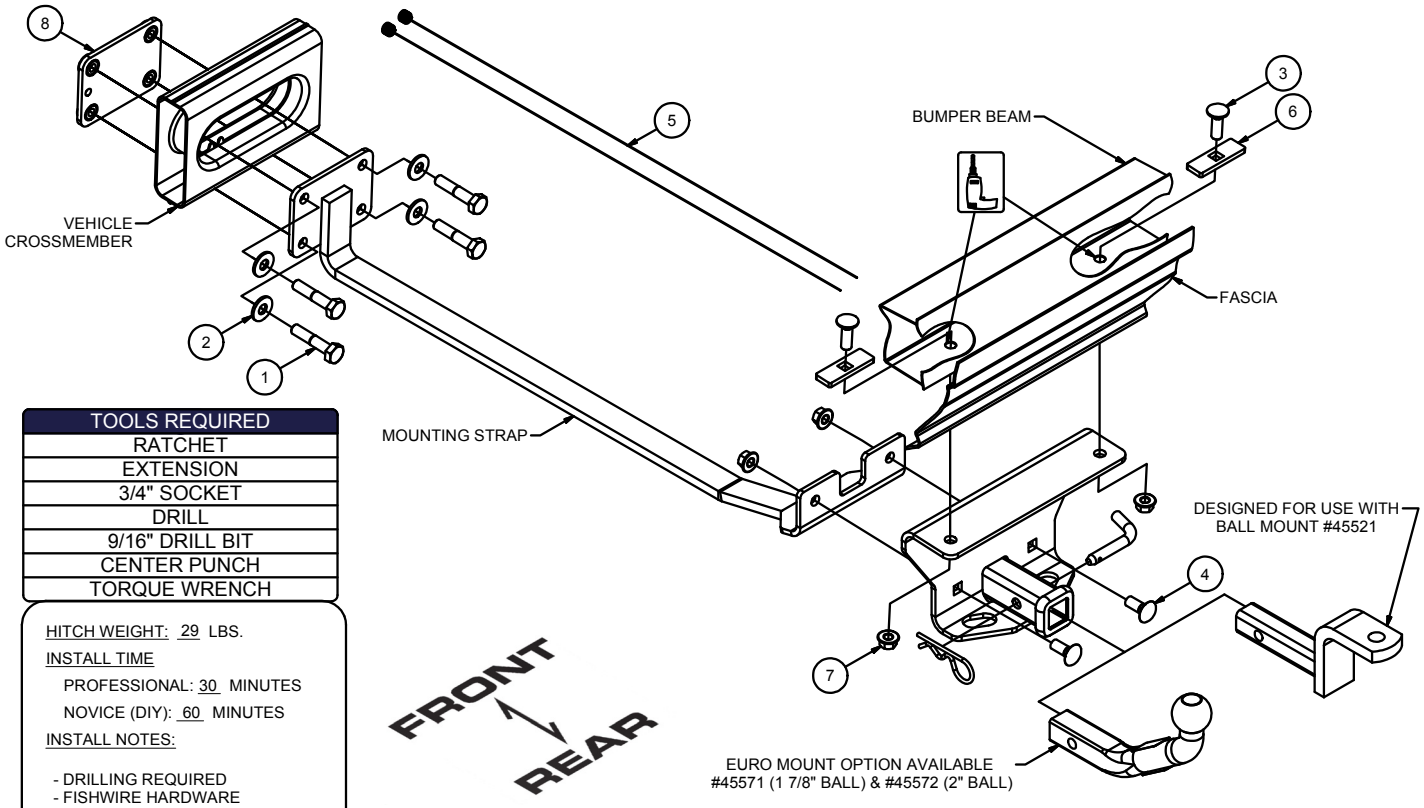
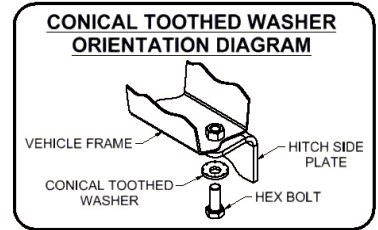
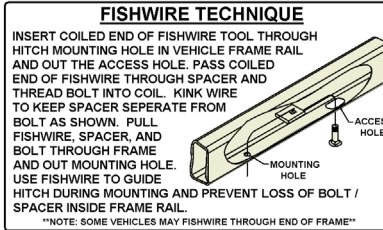
DO NOT EXCEED VEHICLE MANUFACTURER'S RECOMMENDED TOWING CAPACITY.

WARNING: ALL NON-TRAILER LOADS APPLIED TO THIS PRODUCT MUST BE SUPPORTED BY 18050 STABILIZING STRAPS.

** FAILURE TO PROPERLY SUPPORT NON-TRAILER LOADS WILL VOID PRODUCT WARRANTY**

HAVING INSTALLATION QUESTIONS? CALL TECHNICAL SUPPORT AT 1-800-798-0813

Parts List			
ITEM	QTY	PART NUMBER	DESCRIPTION
1	4	1/2 - 13 x 2 1/2	HEX BOLT
2	4	1/2"	CONICAL TOOTHED WASHER
3	2	1/2-13 x 1 1/4	CARRIAGE BOLT
4	2	1/2-13 x 1 1/4	CARRIAGE BOLT
5	2	1_2 x 30 FISHWIRE	1/2" x 30" FISHWIRE
6	2	CM-SP6	.250 x 1.00 x 3.00" SQUARE HOLE SPACER
7	4	HFN 1213	HEX FLANGE NUT
8	1	CM-NP1W	NUT PLATE WELDMENT



TOOLS REQUIRED

RATCHET
EXTENSION
3/4" SOCKET
DRILL
9/16" DRILL BIT
CENTER PUNCH
TORQUE WRENCH

HITCH WEIGHT: 29 LBS.
 INSTALL TIME
 PROFESSIONAL: 30 MINUTES
 NOVICE (DIY): 60 MINUTES
 INSTALL NOTES:
 - DRILLING REQUIRED
 - FISHWIRE HARDWARE

INSTALLATION STEPS

1. Raise nut plate and mounting strap into position around the vehicle crossmember. Secure using 1/2"-13 x 2 1/2" hex bolts and 1/2" conical toothed washers.
2. Raise hitch past fascia lip and secure to mounting strap using 1/2"-13 x 1 1/4" carriage bolts and 1/2"-13 flange nuts.
3. Press hitch against the bottom of the bumper beam, using the hitch as a template mark hole locations with a center punch. **Note:** Verify hitch is centered on vehicle.
4. Lower hitch and drill hole locations with 9/16" drill bit. **Note:** Drilling a small pilot hole prior to the 9/16" hole will ease this process. Another option is to drill a small pilot hole and enlarge with a die grinder.
5. Fishwire 1/2"-13 x 2" carriage bolts and SP6 spacers through the end of the bumper beam and into holes drilled in Step 4. See Fishwire Technique Diagram
6. Raise hitch back into position and secure with 1/2"-13 flange nuts.
7. Torque all 1/2" fasteners to 75 ft-lbs.



Scan for more information

PERIODICALLY CHECK THIS RECEIVER HITCH TO ENSURE THAT ALL FASTENERS ARE TIGHT AND THAT ALL STRUCTURAL COMPONENTS ARE SOUND.

CURT Manufacturing LLC., warrants this product to be free of defects in material and/or workmanship at the time of retail purchase by the original purchaser. If the product is found to be defective, CURT Manufacturing LLC., may repair or replace the product, at their option, when the product is returned, prepaid, with proof of purchase. Alteration to, misuse of, or improper installation of this product voids the warranty. CURT Manufacturing LLC.'s liability is limited to repair or replacement of products found to be defective, and specifically excludes liability for incidental or consequential loss or damage.