

11249

## 02-03 MAZDA PROTEGE 5

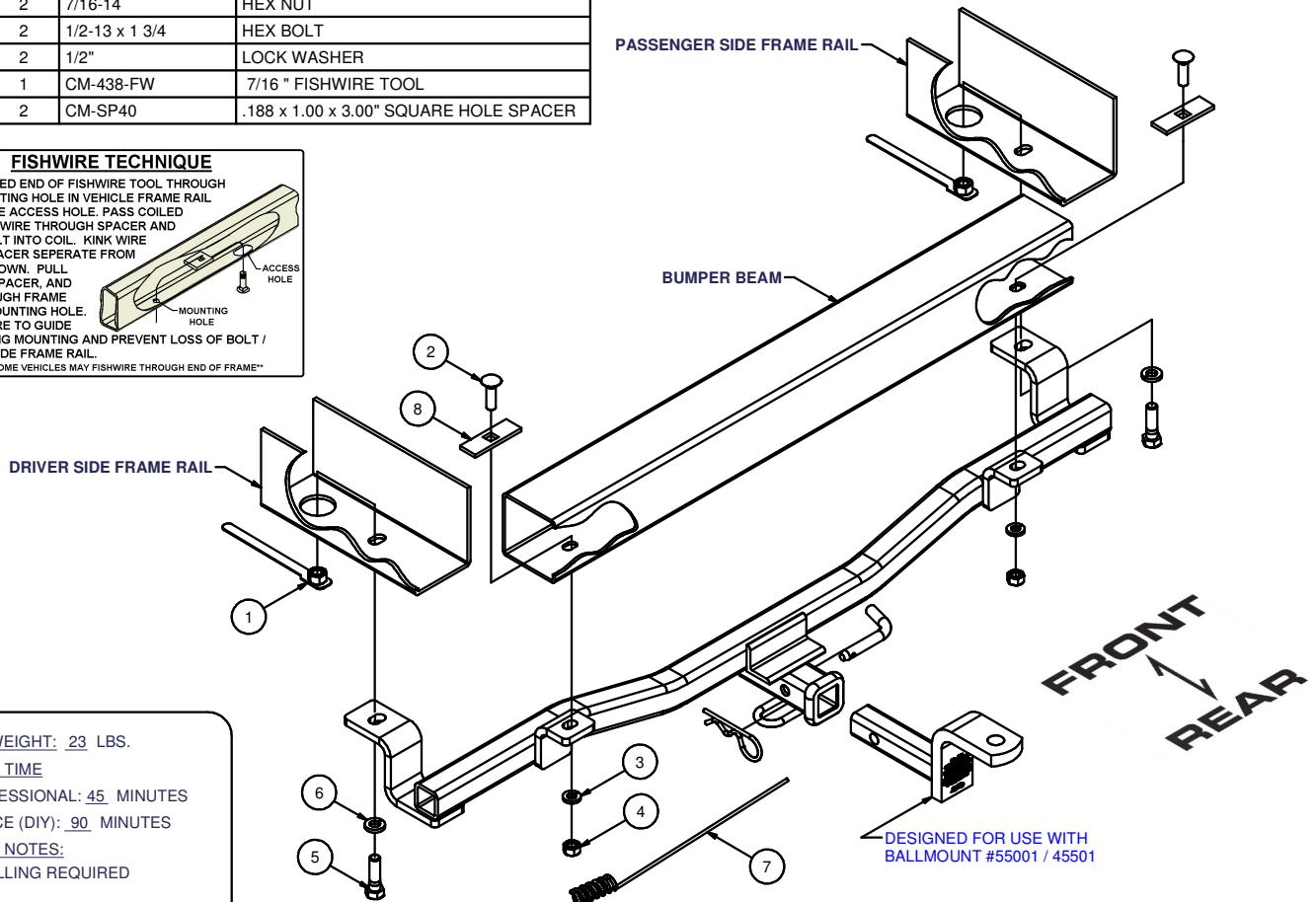
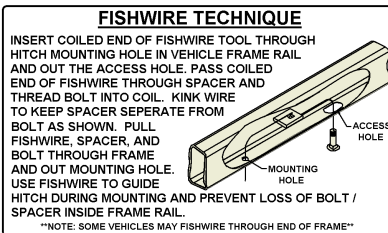
10/19/2012

GROSS LOAD CAPACITY WHEN USED AS A WEIGHT CARRYING HITCH: 2,000 LBS. TRAILER WEIGHT &amp; 200 LBS. TONGUE WEIGHT.

**\*\*\*DO NOT EXCEED VEHICLE MANUFACTURER'S RECOMMENDED TOWING CAPACITY.\*\*\*****WARNING: ALL NON-TRAILER LOADS APPLIED TO THIS PRODUCT MUST BE SUPPORTED BY AUXILIARY STABILIZING STRAPS.****\*\* FAILURE TO PROPERLY SUPPORT NON-TRAILER LOADS WILL VOID PRODUCT WARRANTY\*\***

HAVING INSTALLATION QUESTIONS? CALL TECHNICAL SUPPORT AT 1-800-798-0813

Parts List				
ITEM	QTY	PART NUMBER	DESCRIPTION	
1	2	1/2-13	HANDLE NUT	
2	2	7/16-14 x 1 1/2	CARRIAGE BOLT	
3	2	7/16 LOCK WASHER	HELICAL LOCK WASHER	
4	2	7/16-14	HEX NUT	
5	2	1/2-13 x 1 3/4	HEX BOLT	
6	2	1/2"	LOCK WASHER	
7	1	CM-438-FW	7/16" FISHWIRE TOOL	
8	2	CM-SP40	.188 x 1.00 x 3.00" SQUARE HOLE SPACER	



HITCH WEIGHT: 23 LBS.

**INSTALL TIME**

PROFESSIONAL: 45 MINUTES

NOVICE (DIY): 90 MINUTES

**INSTALL NOTES:**

NO DRILLING REQUIRED

**INSTALLATION STEPS**

1. This hitch mounts to the bottom of the left and right frame rails at existing holes, and to the bottom of the bumper beam (bumper reinforcement under the fascia) at existing holes.
2. Fishwire 7/16" carriage bolts with the backing plates into each hole in the bottom surface of the bumper beam; accessing through the open ends of the bumper beam. Holes are approximately 29" apart.
3. Lift the hitch into position under the bumper beam being careful not to push out the bolts. Loosely fasten using lock washers and nuts.
4. Place the handle nuts inside the existing oblong holes and secure the hitch to the frame rails using the balance of the fasteners as shown.
5. Torque all 7/16" fasteners to 70 lb-ft, and all 1/2" fasteners to 110 lb-ft.

**PERIODICALLY CHECK THIS RECEIVER HITCH TO ENSURE THAT ALL FASTENERS ARE TIGHT AND THAT ALL STRUCTURAL COMPONENTS ARE SOUND.**

Curt Manufacturing Inc., warrants this product to be free of defects in material and/or workmanship at the time of retail purchase by the original purchaser. If the product is found to be defective, Curt Manufacturing Inc., may repair or replace the product, at their option, when the product is returned, prepaid, with proof of purchase. Alteration to, misuse of, or improper installation of this product voids the warranty. Curt Manufacturing Inc.'s liability is limited to repair or replacement of products found to be defective, and specifically excludes liability for incidental or consequential loss or damage.

24714 / 247411