

11145**1992-93 ACURA INTEGRA 3 DOOR**

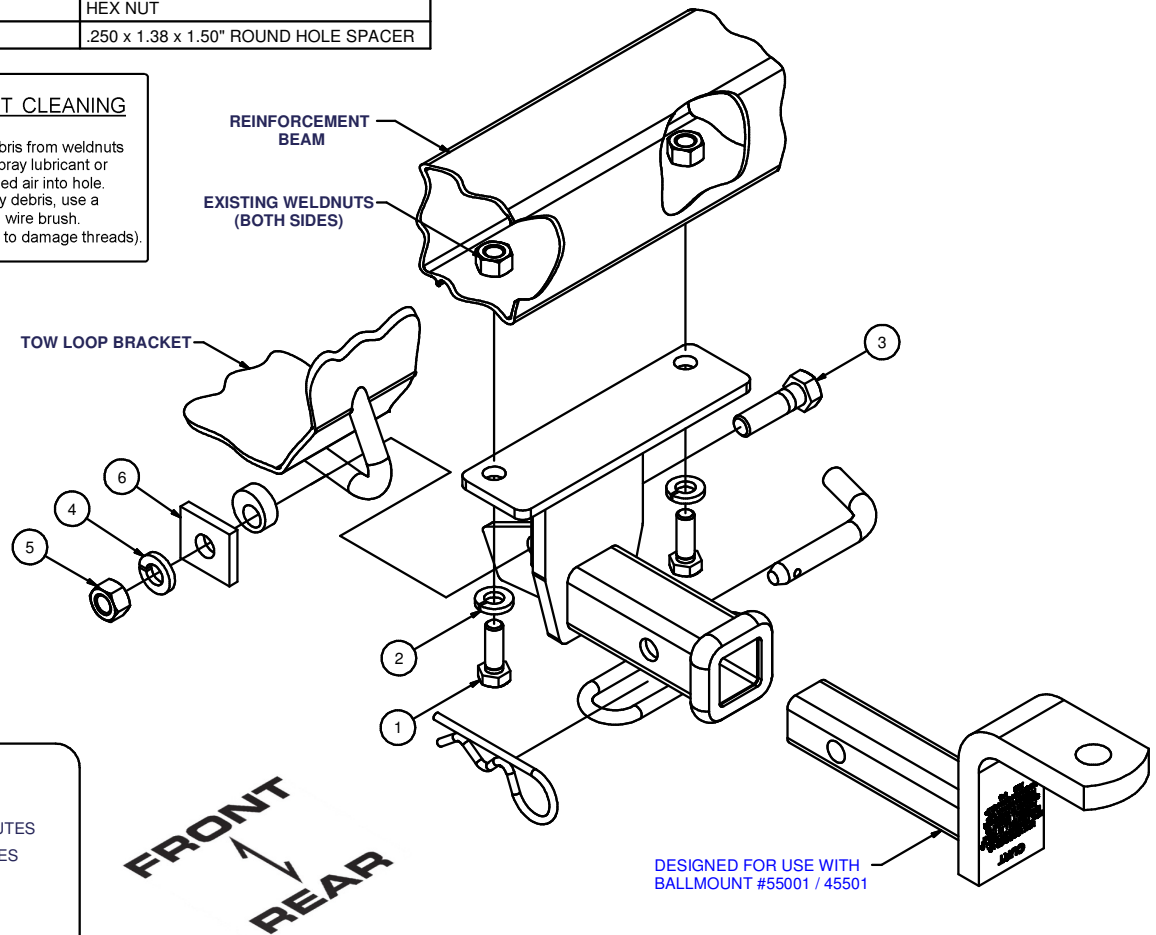
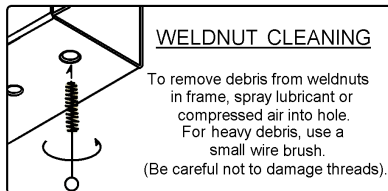
12/7/2012

GROSS LOAD CAPACITY WHEN USED AS A WEIGHT CARRYING HITCH: 2,000 LBS. TRAILER WEIGHT & 200 LBS. TONGUE WEIGHT.

*****DO NOT EXCEED VEHICLE MANUFACTURER'S RECOMMENDED TOWING CAPACITY.*******WARNING: ALL NON-TRAILER LOADS APPLIED TO THIS PRODUCT MUST BE SUPPORTED BY AUXILIARY STABILIZING STRAPS.****** FAILURE TO PROPERLY SUPPORT NON-TRAILER LOADS WILL VOID PRODUCT WARRANTY****

HAVING INSTALLATION QUESTIONS? CALL TECHNICAL SUPPORT AT 1-800-798-0813

Parts List			
ITEM	QTY	PART NUMBER	DESCRIPTION
1	2	M10 - 1.25 x 30	HEX BOLT
2	2	7/16 LOCK WASHER	HELICAL LOCK WASHER
3	1	1/2-13 x 1 3/4	HEX BOLT
4	1	1/2"	LOCK WASHER
5	1	1/2-13	HEX NUT
6	1	CM-SP25	.250 x 1.38 x 1.50" ROUND HOLE SPACER



HITCH WEIGHT: 5 LBS.

INSTALL TIME

PROFESSIONAL: 20 MINUTES

NOVICE (DIY): 40 MINUTES

INSTALL NOTES:

-NO DRILLING REQUIRED

INSTALLATION STEPS

1. This hitch will bolt to the bottom of the metal reinforcement beam inside the rear bumper and also to the tie down loop at the center of the car's floor. Two existing weldnuts are found at the bottom of the beam.
2. Loosely bolt the hitch as shown in the diagram. Install fasteners through the tow loop as shown. The hitch should fit to the right (passenger) side of the tow loop.
3. Place round spacer into tie down loop and adjust for alignment for holes in the bumper bracket. The hole in the spacer is eccentric for this purpose. Assemble the balance of the fasteners as shown. The car's tie down loop must be sandwiched between the hitch plate and the square backing plate.
4. Torque all 1/2" fastener to 110 lb-ft, and 10mm fasteners to 48 lb-ft.

PERIODICALLY CHECK THIS RECEIVER HITCH TO ENSURE THAT ALL FASTENERS ARE TIGHT AND THAT ALL STRUCTURAL COMPONENTS ARE SOUND.

Curt Manufacturing Inc., warrants this product to be free of defects in material and/or workmanship at the time of retail purchase by the original purchaser. If the product is found to be defective, Curt Manufacturing Inc., may repair or replace the product, at their option, when the product is returned, prepaid, with proof of purchase. Alteration to, misuse of, or improper installation of this product voids the warranty. Curt Manufacturing Inc.'s liability is limited to repair or replacement of products found to be defective, and specifically excludes liability for incidental or consequential loss or damage.