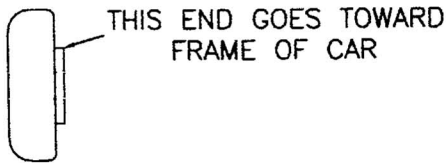
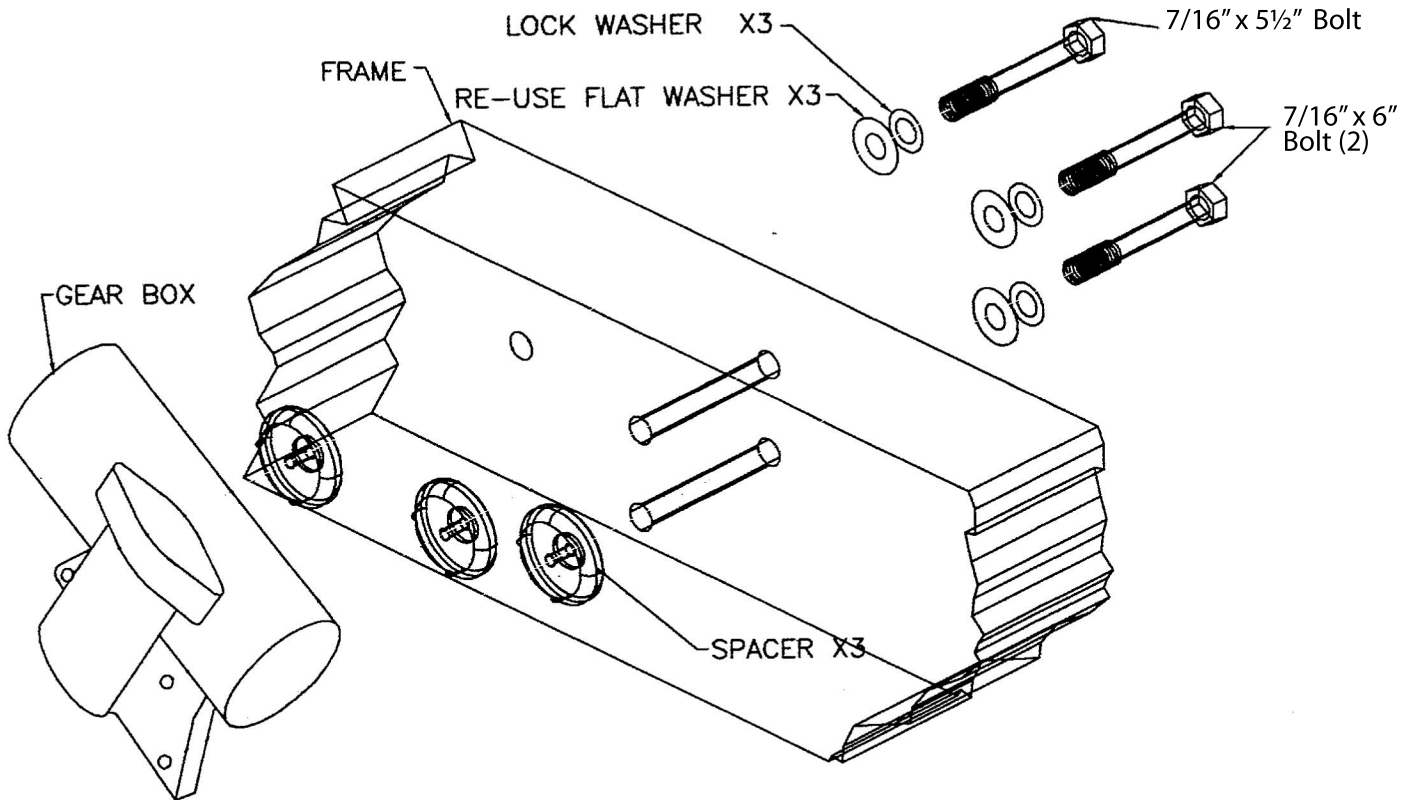


# RP17700 INSTRUCTION SHEET

## 63-68 THUNDERBIRD / 63-68 CONTINENTAL

RARE PARTS Diamond Series® Steering Gear Mount Kit.  
This kit is designed to replace the OE style rubber spacers that continually fail.



### **LINCOLN CONTINENTAL**

REPLACE ALL 3 SPACERS AS SHOWN ABOVE.  
TORQUE BOLTS TO 50 FT-LBS  
DISCARD ORIGINAL BOLTS AND SPACERS.

### **FORD THUNDERBIRD**

USE 4 1/2" BOLTS INSTEAD



- KIT INCLUDES:**
- 3- Solid Steel spacers
  - 3- 7/16" x 4 1/2" Bolts
  - 1- 7/16" x 5 1/2" Bolt
  - 2- 7/16" x 6" Bolts
  - 3- Lock Washers

**RARE PARTS**<sup>®</sup>  
STEERING AND SUSPENSION  
**DIAMOND SERIES**  
WWW.RAREPARTS.COM