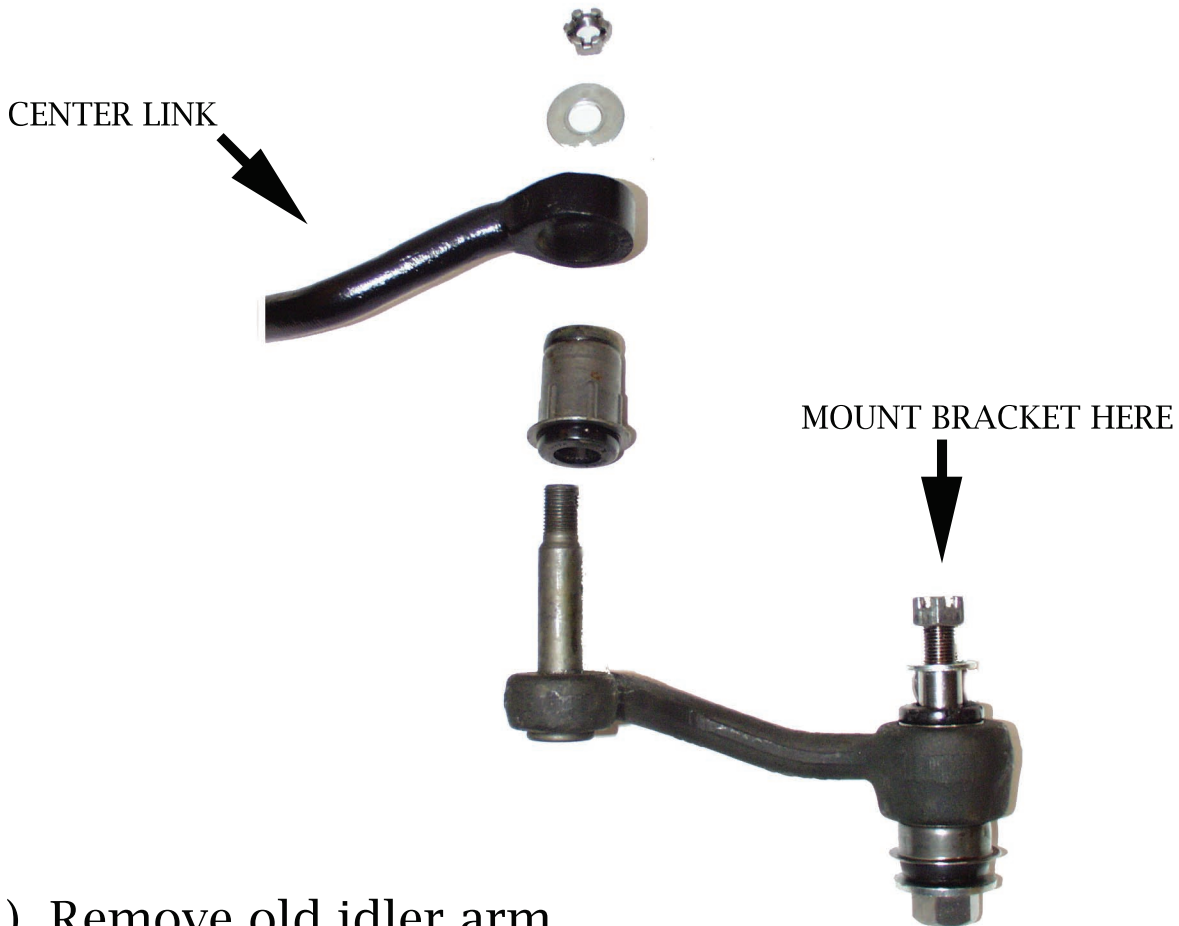


RP20201

1963-67 CHEVY NOVA

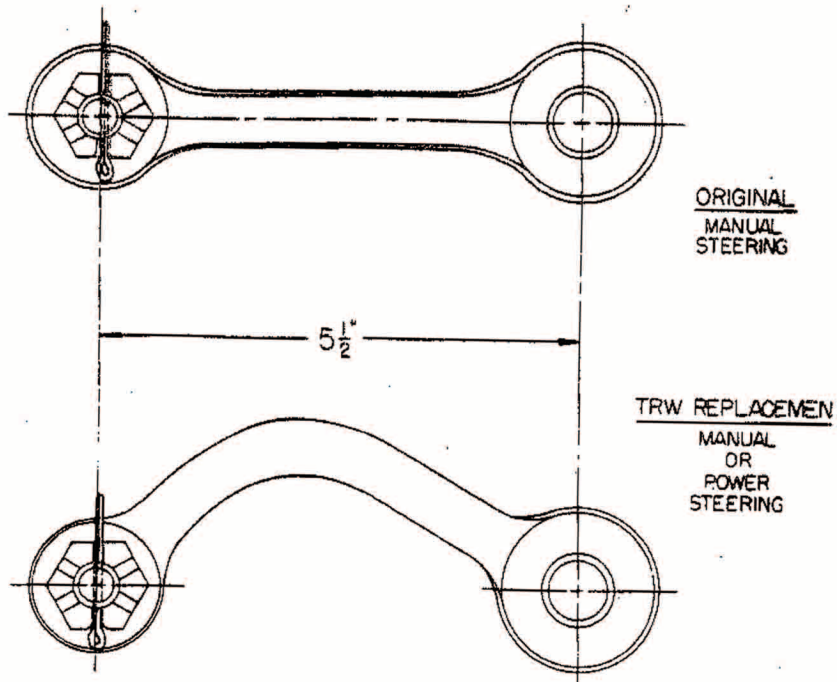
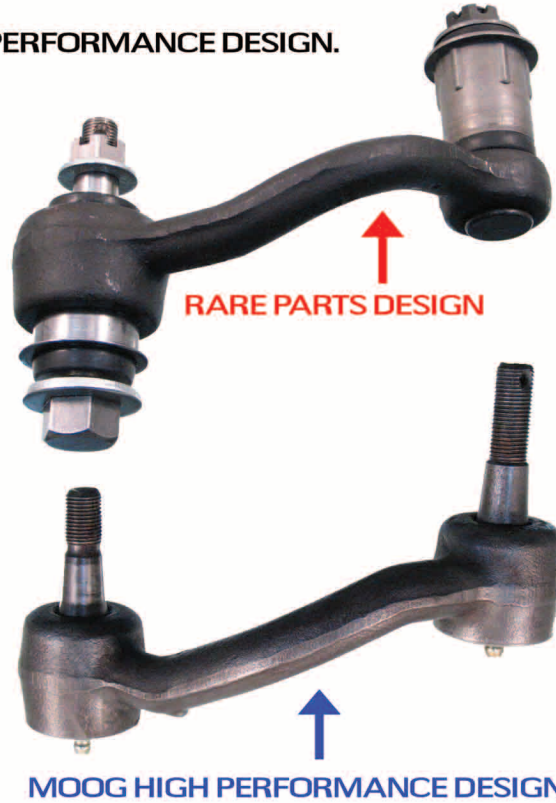


- 1) Remove old idler arm.
- 2) Remove bushings from the center link and bracket end and install new bushings.
- 3) Install the new idler arm as show above. (Do not torque nuts.)
- 4) Insure vehicles wheels are in straight ahead position torque nuts to 50 ft. lbs. and install cotter pins.

If you have a Moog high performance design that appears on the back of this instruction sheet, please remove the seals, knurled bushing, and top bushing below the nut on the center link end. On the bracket end please remove the split bushing.

RP20201

THE RARE PARTS DESIGN WILL ALSO REPLACE THE MOOG
HIGH PERFORMANCE DESIGN.



This TRW curved design idler arm replaces OEM idler arms
for either manual or power steering applications.