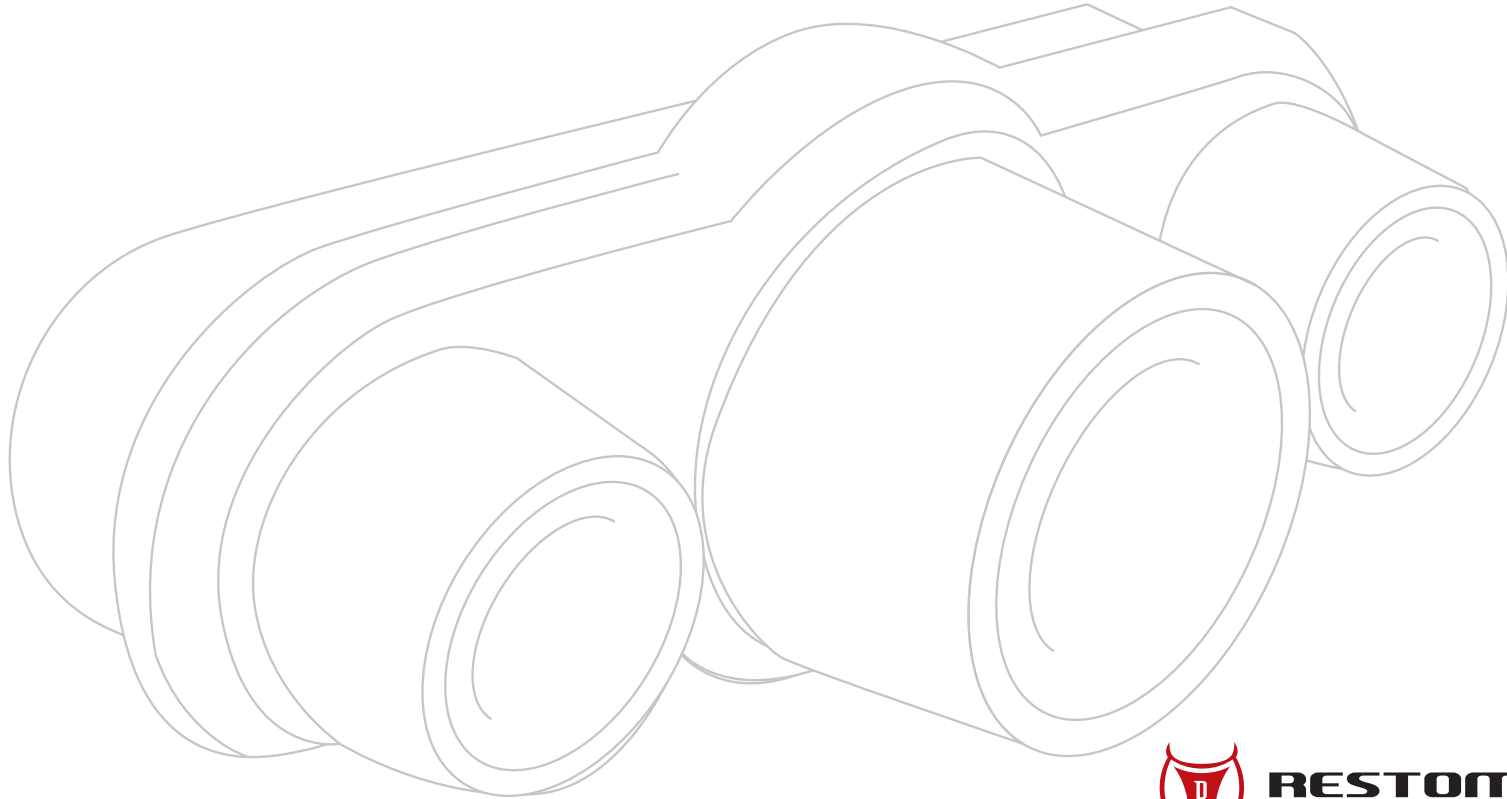




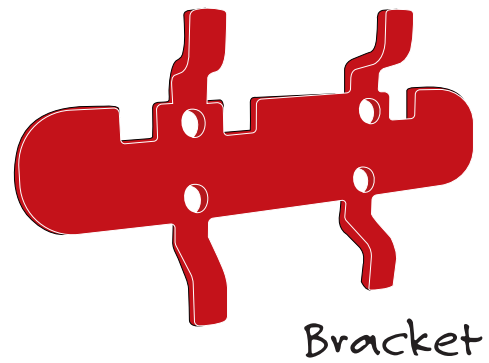
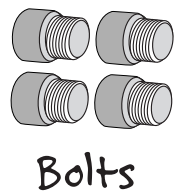
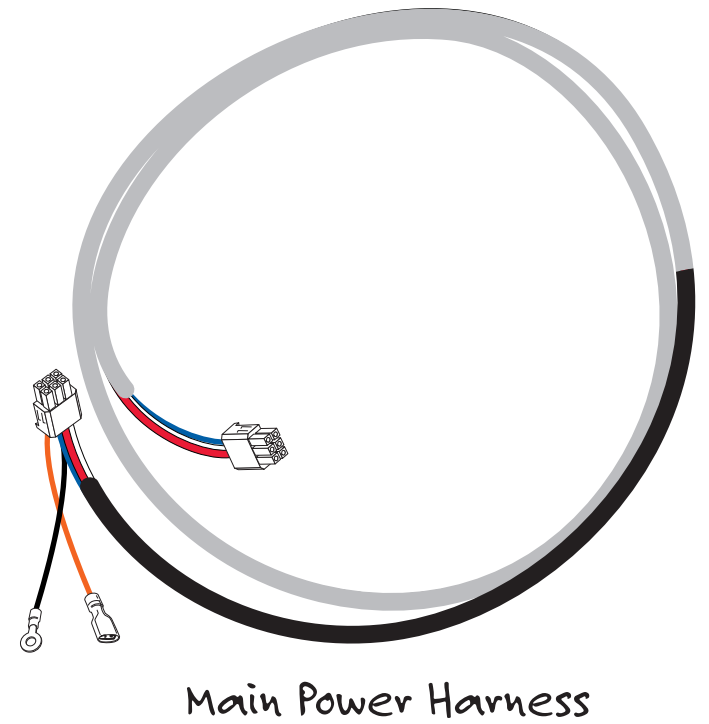
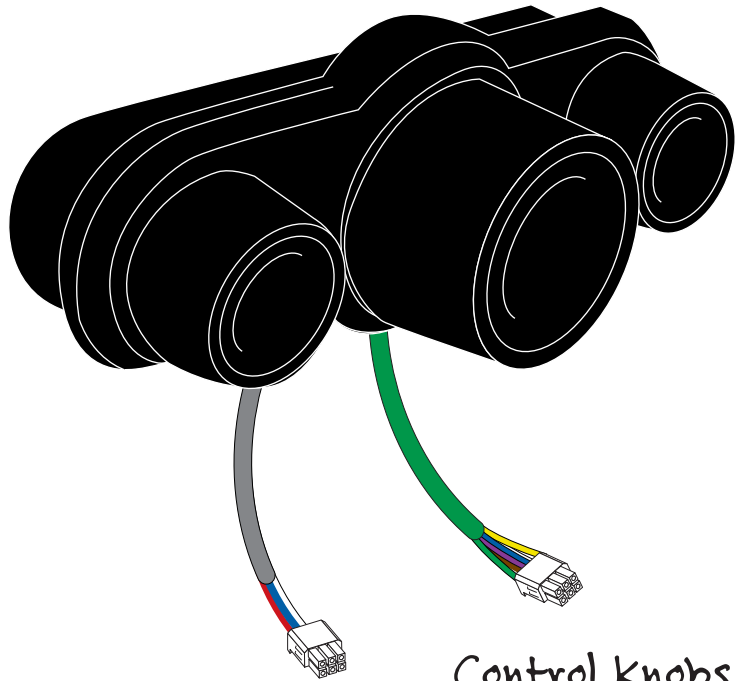
TRIQ BY RESTOMOD AIR CONTROLS FOR

The **HAYMAKER** **II** S Y S T E M

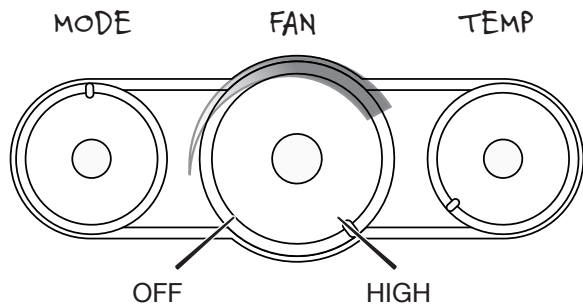


RESTOMOD AIR
Ultimate Style. Killer Performance.

PARTS

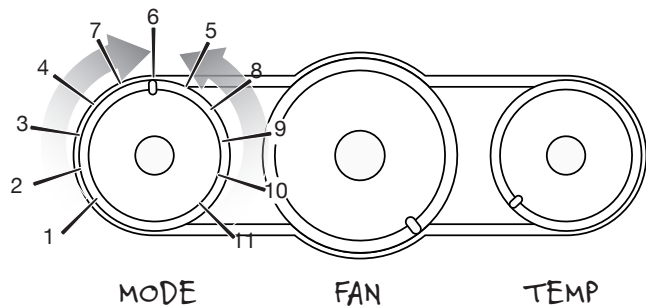


OPERATING THE CONTROLS



FAN

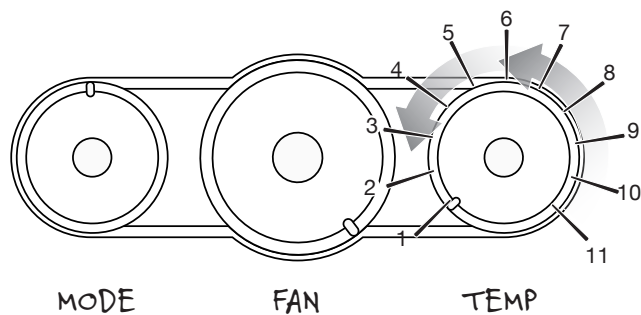
Variable speeds



MODE

(NOTE: POSITIONS ARE FROM FAN COUNTER CLOCKWISE)

	Dash	Defrost	Floor	A/C Compressor
Position 1	100%	0%	0%	ON
Position 2	80%	20%	0%	OFF
Position 3	60%	40%	0%	OFF
Position 4	40%	60%	0%	OFF
Position 5	20%	80%	0%	OFF
Position 6	0%	100%	0%	OFF
Position 7	0%	80%	20%	OFF
Position 8	0%	60%	40%	OFF
Position 9	0%	40%	60%	OFF
Position 10	0%	20%	80%	OFF
Position 11	0%	0%	100%	ON



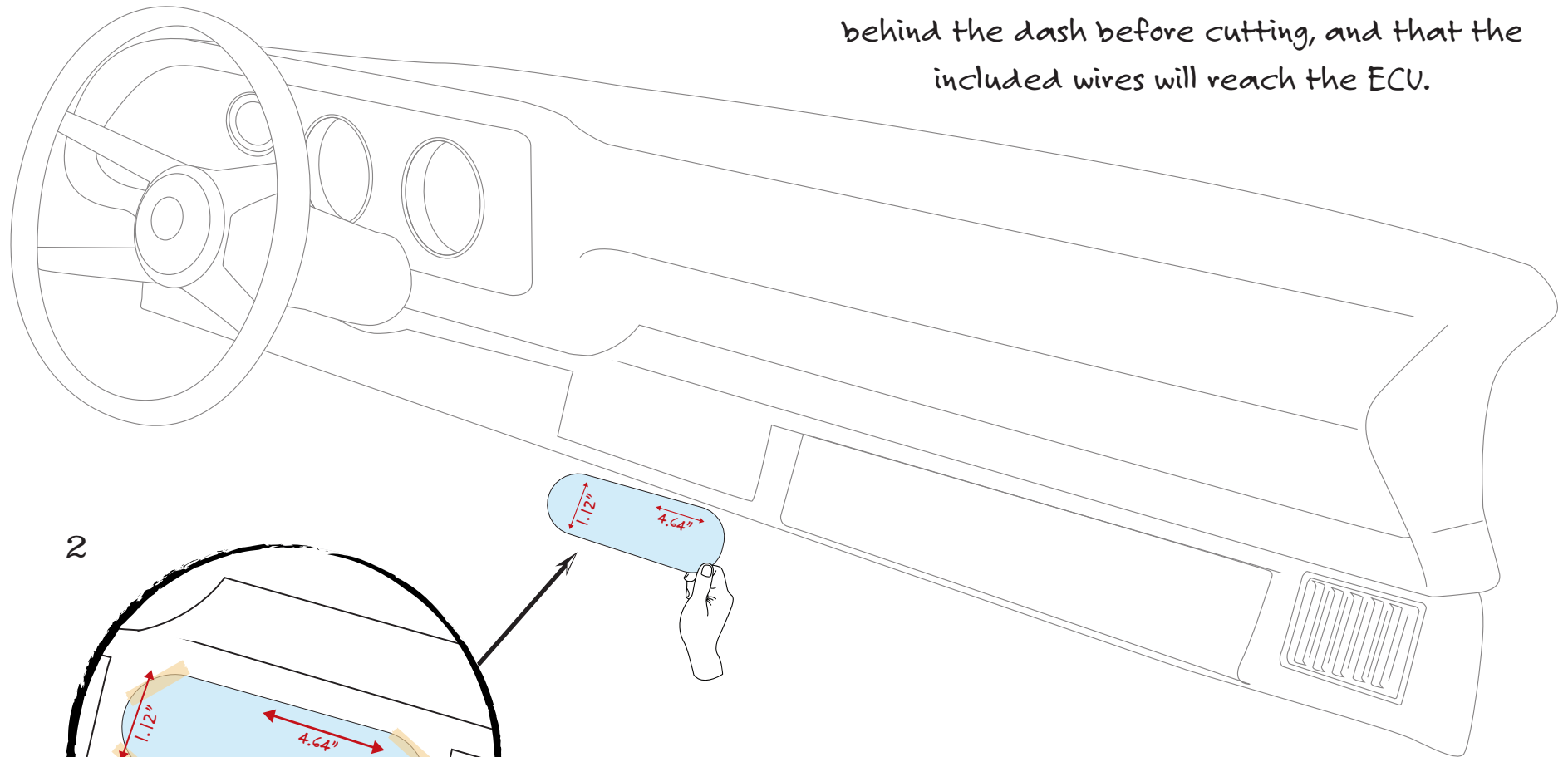
TEMP

(NOTE: POSITIONS ARE FROM FAN COUNTER CLOCKWISE)

	Heater Valve	A/C Compressor
Position 1	Closed	ON
Position 2	Closed	OFF
Position 3	Open 11%	OFF
Position 4	Open 22%	OFF
Position 5	Open 33%	OFF
Position 6	Open 44%	OFF
Position 7	Open 55%	OFF
Position 8	Open 67%	OFF
Position 9	Open 78%	OFF
Position 10	Open 89%	OFF
Position 11	Open 100%	OFF

MOUNTING CONTROLS

- 1 Determine a mounting location for the controls in your vehicle, the dash being the most common location. Check to make sure that there is room behind the dash before cutting, and that the included wires will reach the ECU.

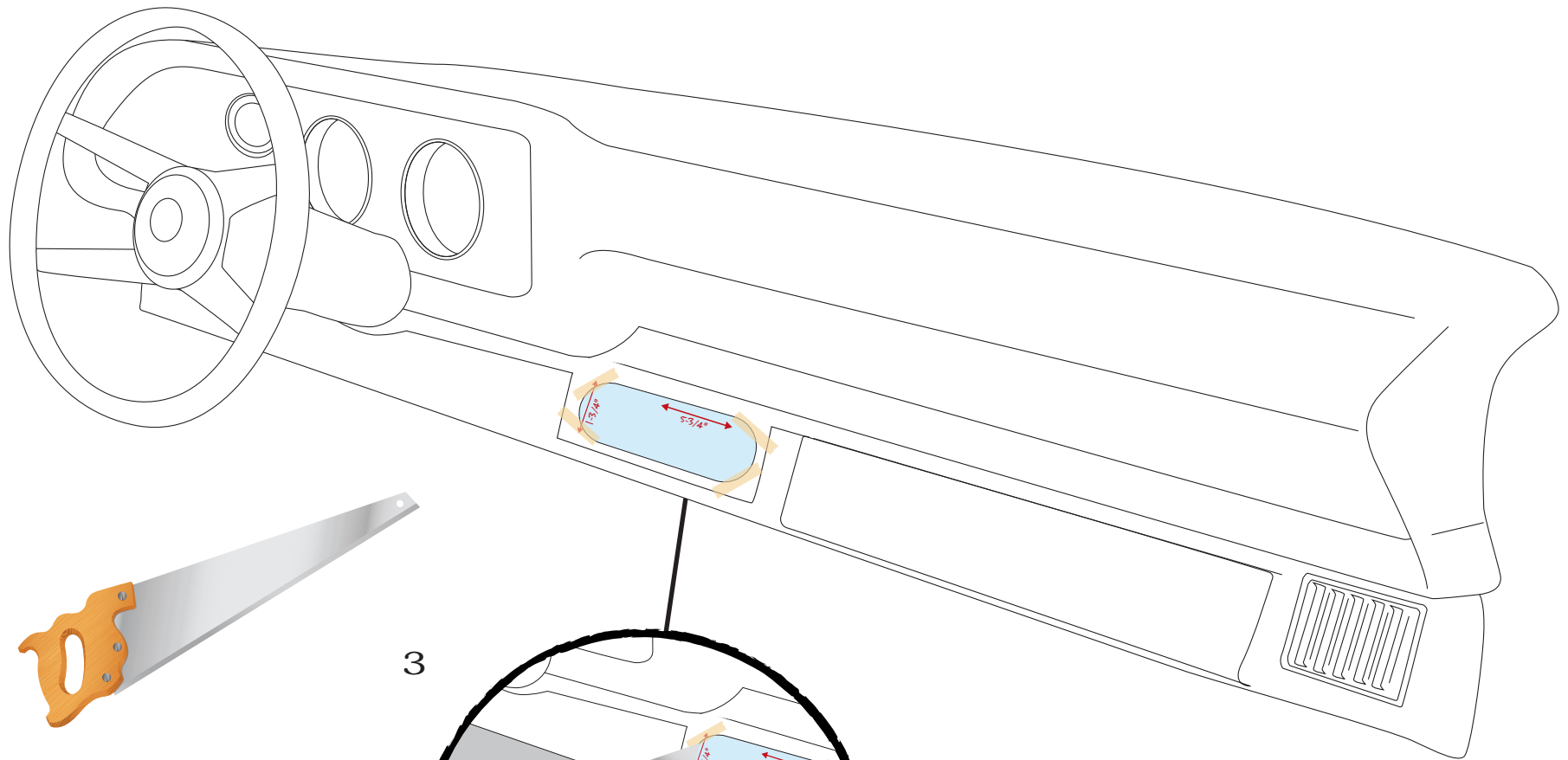


2

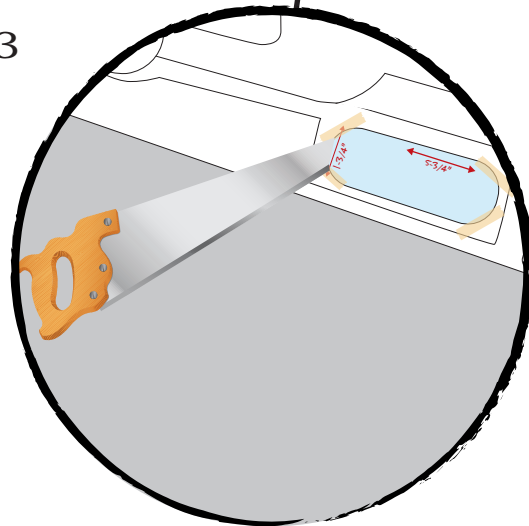
Use the included template. Tape area of your Dash you would like controls to be.

MOUNTING CONTROLS

After cutting any holes, carefully deburr them to eliminate any potential snags.

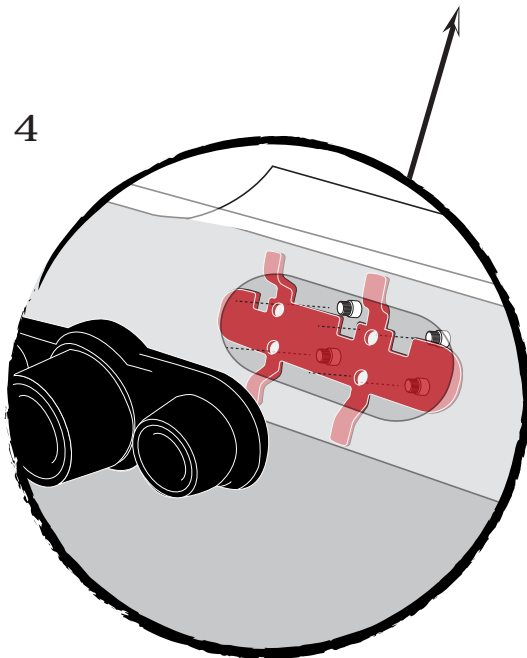
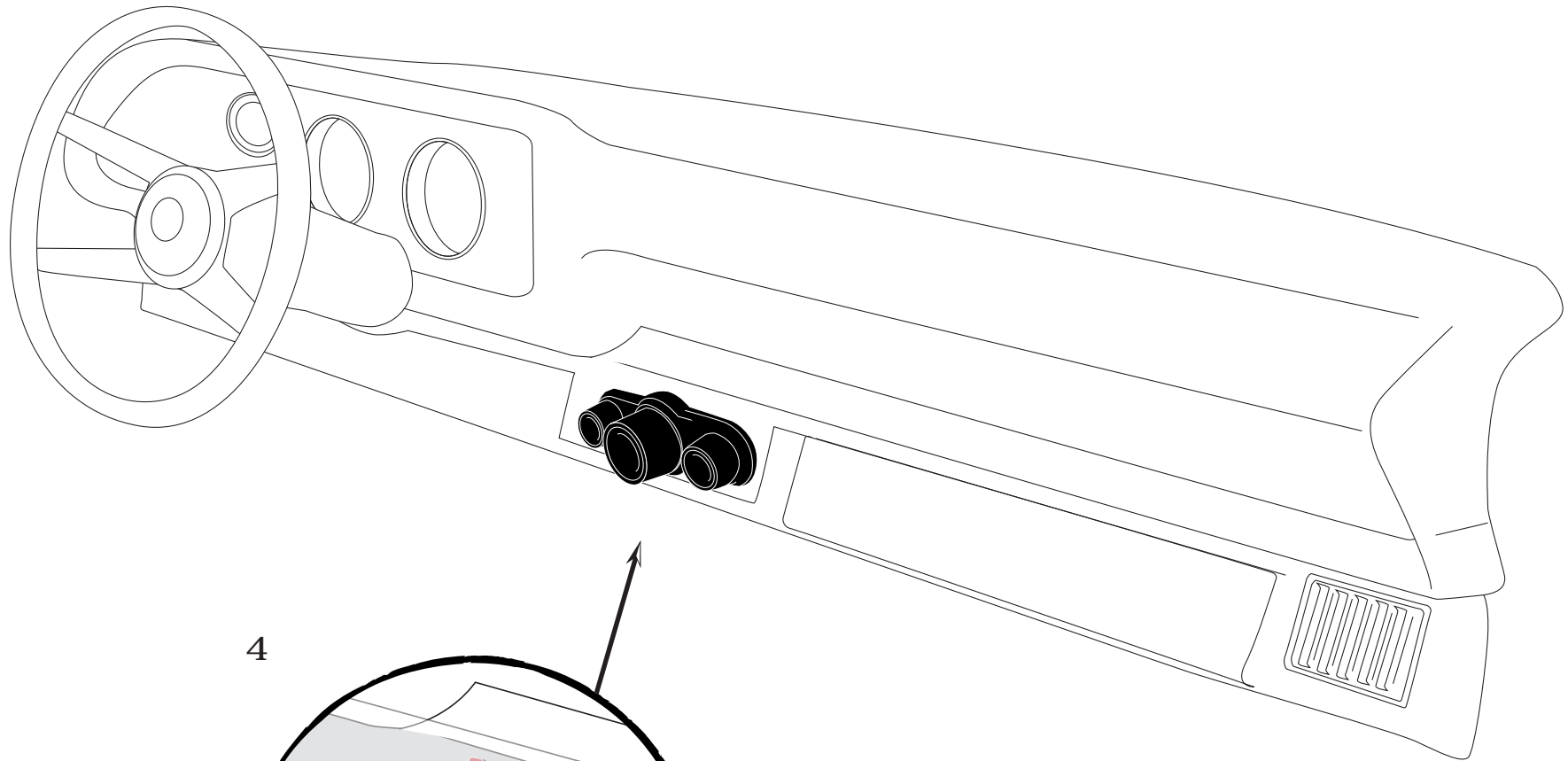


3



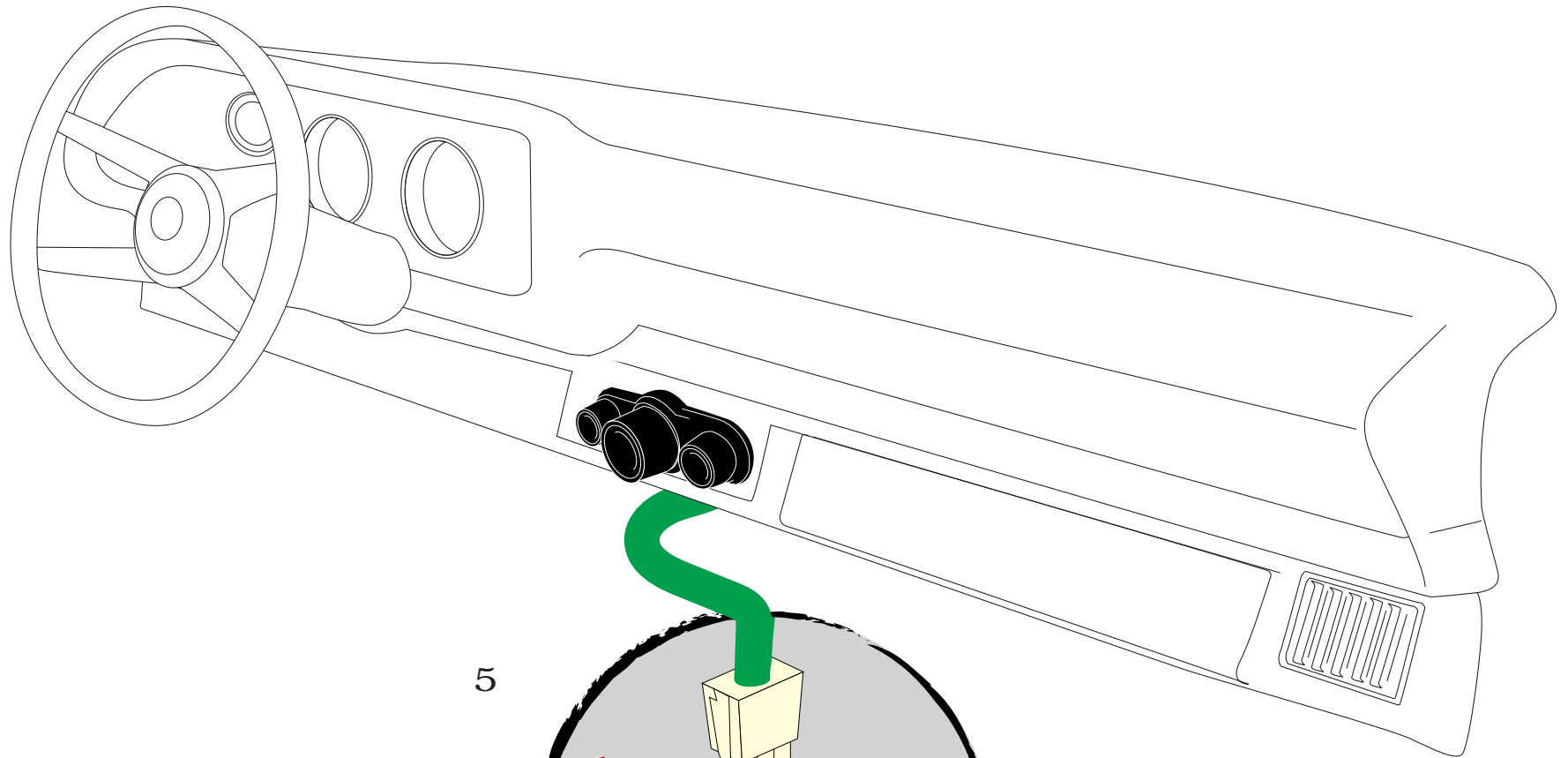
Mark your location, then cut slightly inside the dotted lines. You should use a flat file for final fitment.

MOUNTING CONTROLS



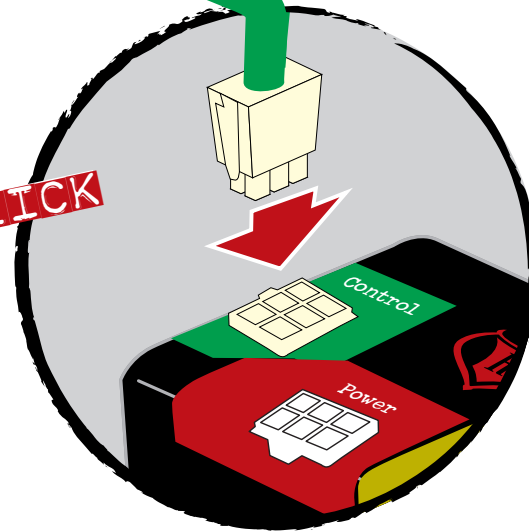
Place the control in the dash from the front,
and attach the included backer plate from
the backside. Tighten the appropriate amount
to hold the control in place.

WIRING THE STEALTH



5

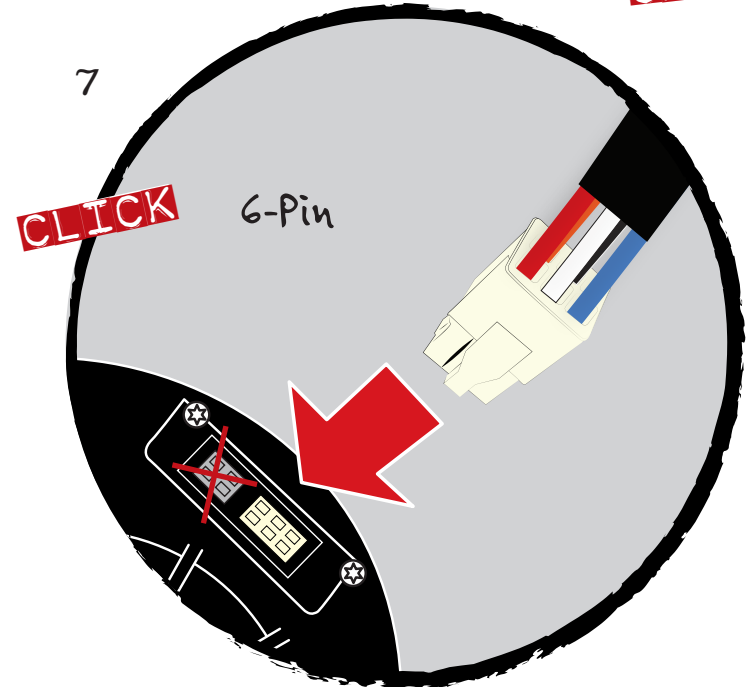
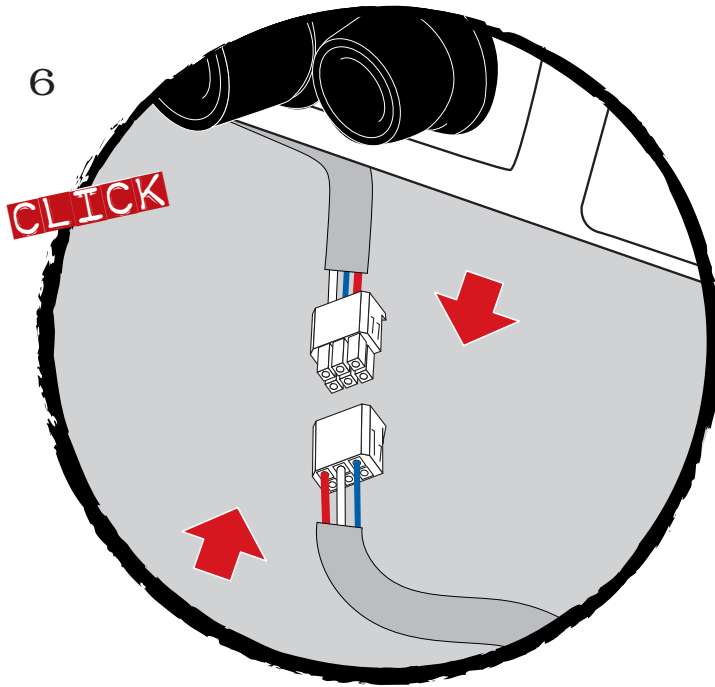
CLICK



From your Controls. Connect
GREEN Harness into Control Port
on ECU

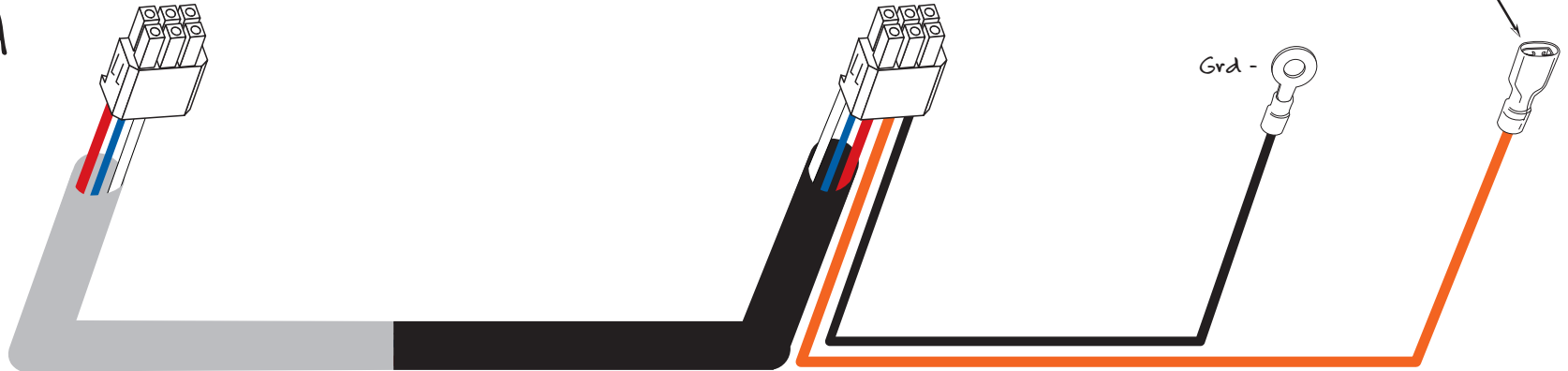
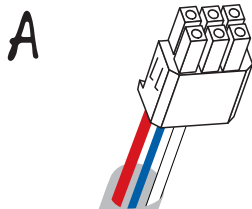
WIRING THE STEALTH

STEPS
3 AND 4



From Control harness connect **GREY** FAN plug into **GREY** corresponding Harness.

Connect Black Harness into Control 6 Pin Port on Evaporator.



YOU NEED TO READ THIS

TEMPORARILY RECONNECT THE BATTERY AT THIS TIME.

YOU CAN NOW CALIBRATE YOUR UNIT.

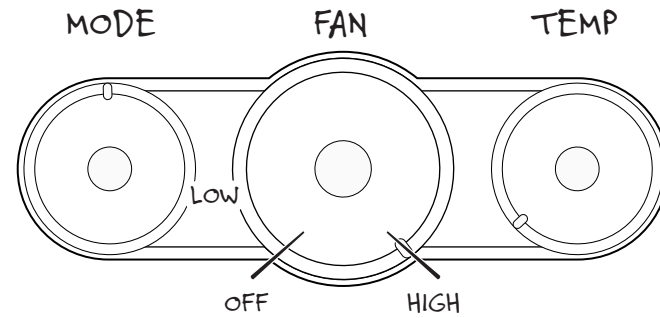
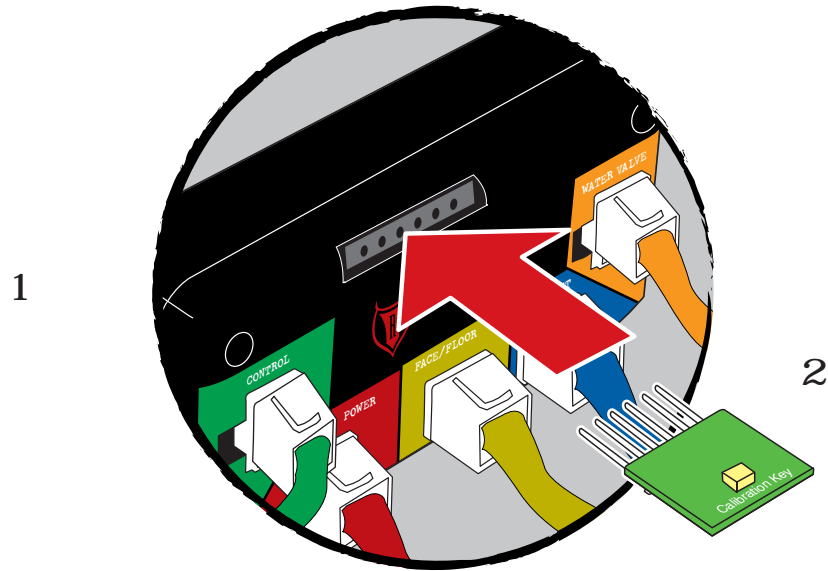
CALIBRATION: Before we boxed and shipped your Stealth Control, we tested and calibrated it to factory specifications to make sure it is capable of operating at maximum efficiency. However, it must still be calibrated to your specific vehicle and unit. This is an easy process that will only take a few minutes.

Follow the instructions...As you follow thru these steps you'll be able to hear the motors working on your unit. If for any reason your unit does not calibrate properly the first time, just turn off the unit and rerun the setup process.

Disconnecting the power (i.e. battery) will not cause your ECU to lose it's settings. AFTER CALIBRATING, REMOVE KEY AND STORE IN A SAFE, DRY PLACE - ALONG WITH THIS PAGE. For real if your smart you will do this!

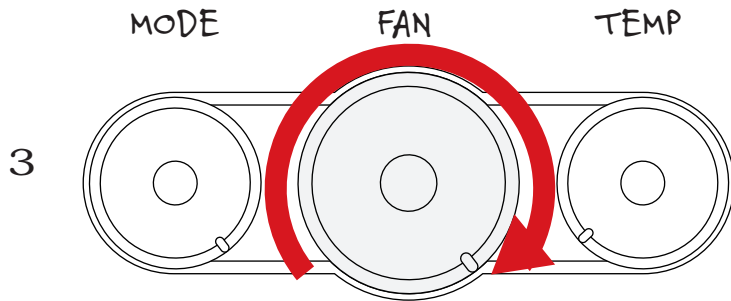
BENCH CALIBRATION

**CALIBRATION
STEPS 1-3**



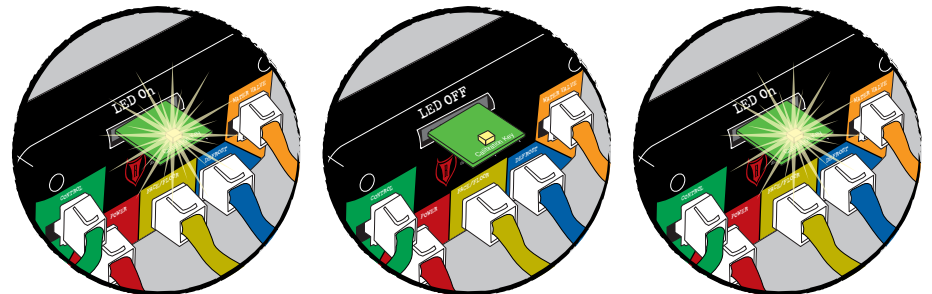
Start by positioning the knobs as shown:

Insert Calibration Key as shown (LED up) into 6-pin connection in ECU



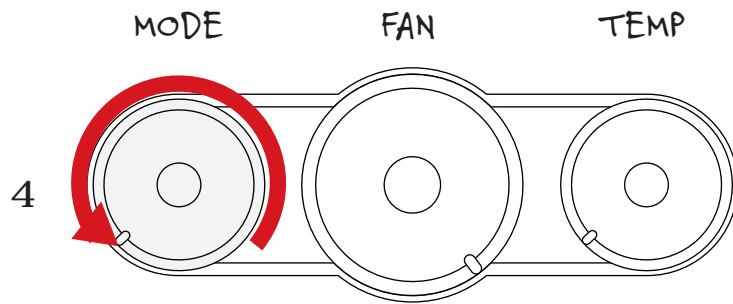
Turn fan knob to high (Full Clockwise)

YOU WILL SEE...



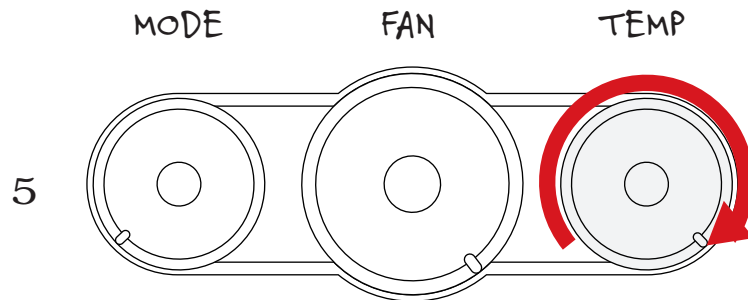
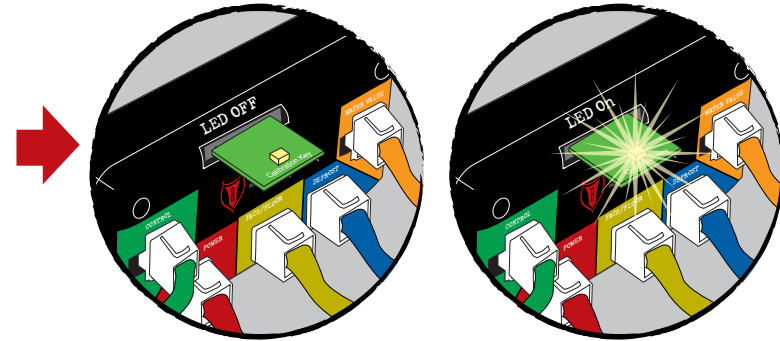
BENCH CALIBRATION

**CALIBRATION
STEPS 4-5**



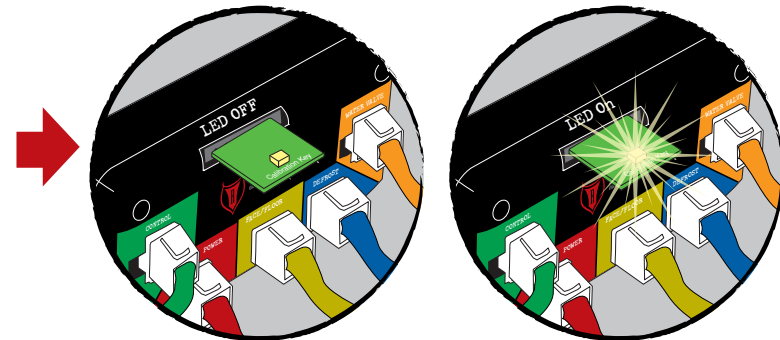
Move MODE knob Left
in one motion (Full Counter Clockwise)

AFTER YOU MOVE THE KNOB YOU WILL SEE...



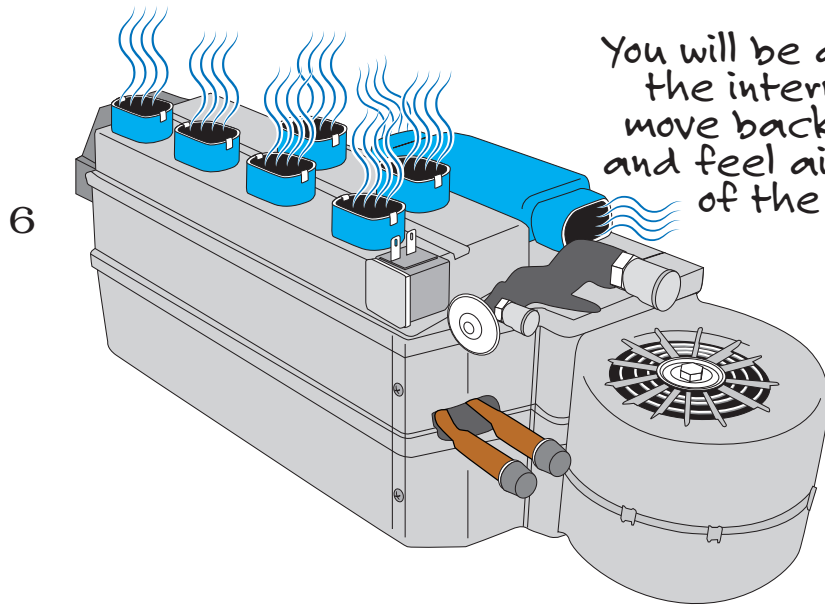
Move TEMP knob Right
in one motion (Full Clockwise)

AFTER YOU MOVE THE KNOB YOU WILL SEE...

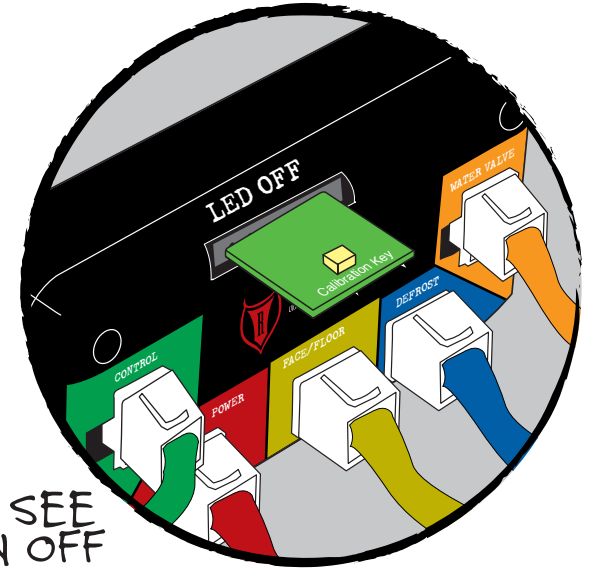


BENCH CALIBRATION

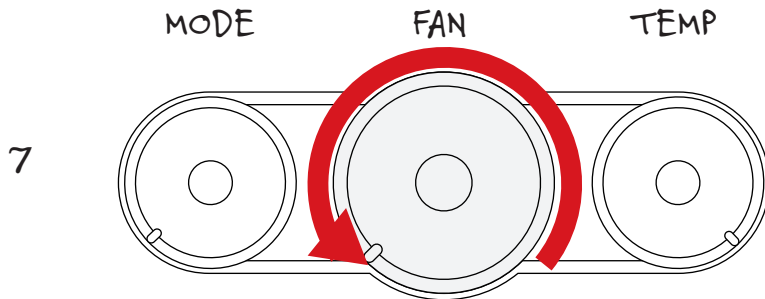
**CALIBRATION
STEPS 6-8**



You will be able to hear the internal door(s) move back and forth and feel air coming out of the outlets



YOU WILL SEE LED TURN OFF



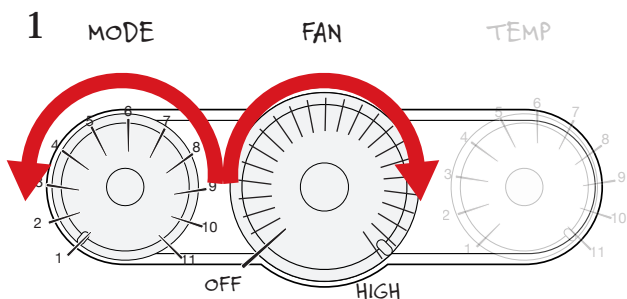
Move FAN knob to Left
(Full Counter Clockwise)



REMOVE CALIBRATION KEY FROM ECU AND
STORE IN A SAFE PLACE

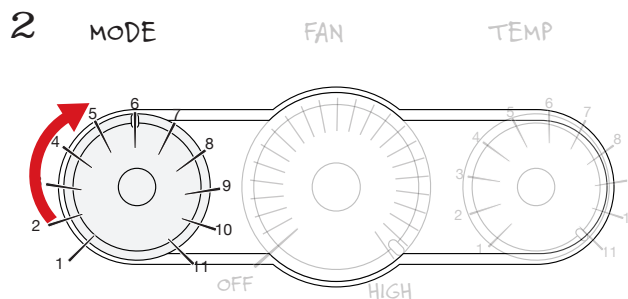
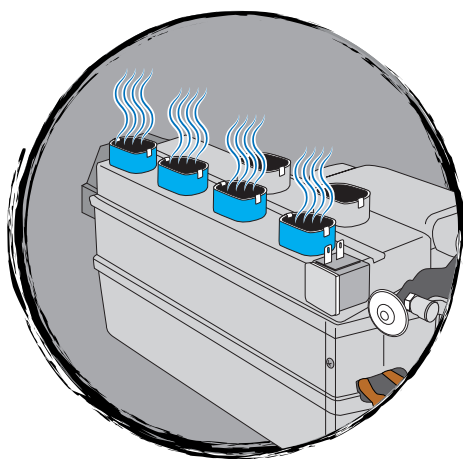
FUNCTION TESTING

**FUNCTION TEST
STEPS 1-3**



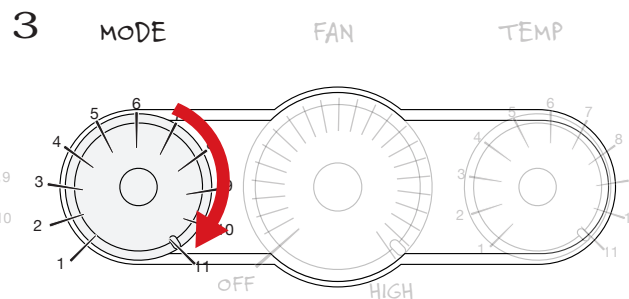
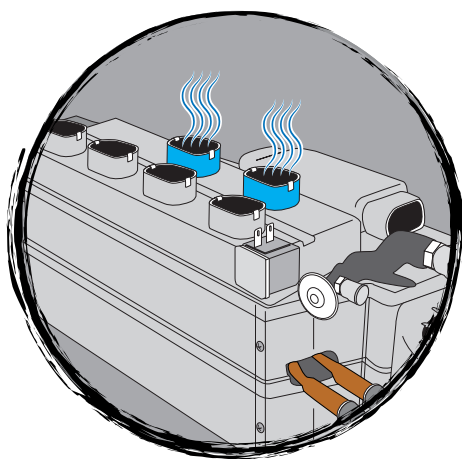
Move FAN knob to HIGH
Move MODE knob to DASH (Position 1)

AIR OUT OF DASH VENTS



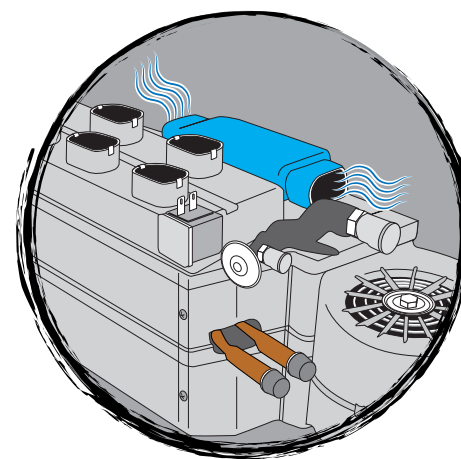
Move MODE knob to DEF
(Position 6)

AIR OUT OF DEFROST



Move MODE knob to FLOOR
(Position 11)

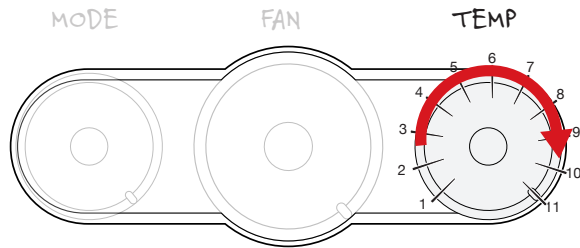
AIR OUT OF FLOOR



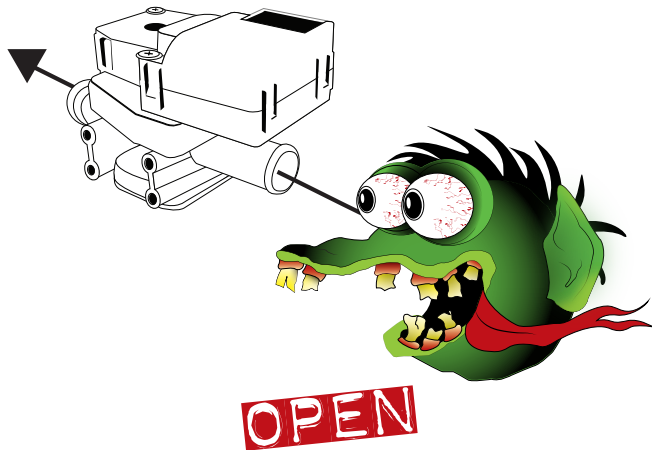
FUNCTION TESTING

FUNCTION TEST STEPS 4 AND 5

4

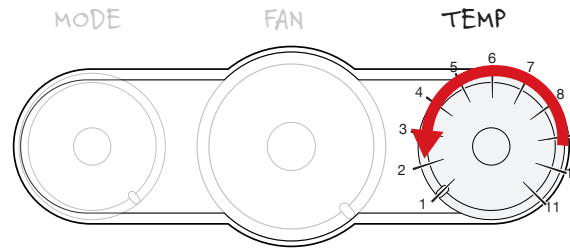


Move TEMP knob to Right
(Full Clockwise)



You will be able to see
through water valve passage

5



Move TEMP knob to Left



You will NOT be able to see
through water valve passage

Return all wiring harnesses, water valve, and ECU to their originally bags/boxes (this keeps them organized for future installation steps).

Your controls are now fully calibrated to your unit. Please refer to the next steps in your installation manual for installing the system in your vehicle.

NOTE: IF DURING ANY OF THESE STEPS YOU DO NOT GET THE CORRECT OUTCOME, PLEASE CALL TECH SUPPORT BEFORE INSTALLING INTO VEHICLE.

1.866.784.4278

1.13"

4.61"



TriQ Hole Template

**CAUTION! BEFORE YOU USE THIS TEMPLATE,
READ THIS SMALL NOTE...**

Just as a cautionary step, make sure this box
is exactly 1" x 1" before you use this template...
Especially if you printed this manual from a web page
or a digital copy. (copier and printers can vary from
100% of actual sizing)

