



ORACLE LIGHTING

WHITE LED UNDERBODY
ROCK LIGHT KIT - 4 PIECE

PART#
5875-001

INSTALLATION GUIDE

PRODUCT OVERVIEW:

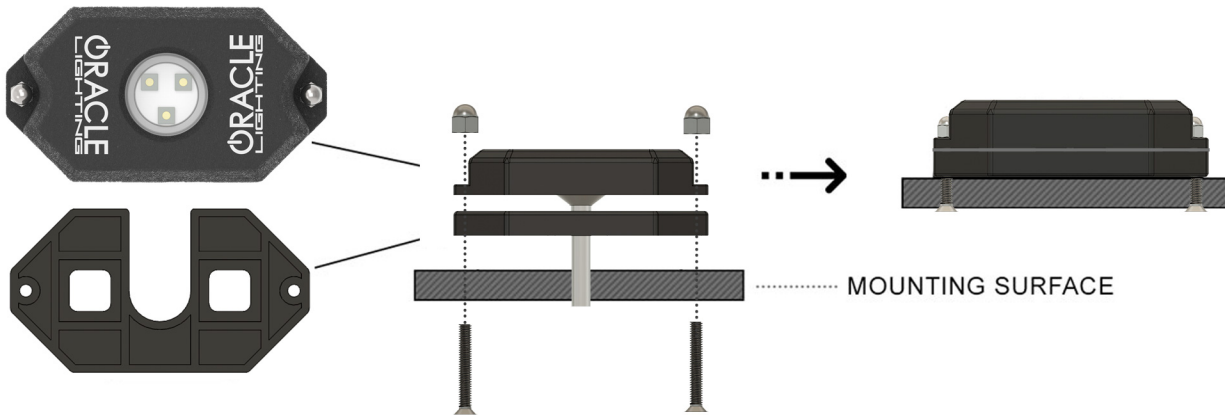
Package Contents:

- (4) WHITE LED Rock Lights
- (4) Mounting Gasket Sets
- (4) Sets of Mounting Hardware
- (1) 4-to-1 Easy Wiring Hub

Technical Specifications

- Lumens (each) : 600LM/PCS
- Watts (each): 6W/PCS
- Amps (each): 12V*0.14A/PCS
- Ingress Protection: IP67 (Waterproof)

MOUNTING METHOD VIEWS:



INSTALLATION AIDS:

2- PIN EXTENSION CABLES

ORACLE Part # 5845-504

If the cables from the rock lights are not long enough to reach the wiring hub use our 2-pin extension cable to maintain the waterproof integrity of the cable.



ROCK LIGHT MAGNET ADAPTER

ORACLE Part # 5848-504

Make your installation even easier with these magnetic adapters. No need to drill into metal, use this easy-to-install magnet for a hassle free installation experience.



INSTALLATION VIDEO:

Watch the Installation Video: vimeo.com/481340513

