



Ford Bronco Trail Armor® Rocker Panel & Sill Plate Combo Set

STEP 1 – PRIOR TO INSTALLATION

- A) Bushwacker®** only approves installing the trail armor according to these written instructions with the hardware provided. **WARNING:** Failure to install according to these instructions will invalidate the warranty. This includes, but is not limited to using alternative installation methods, hardware, or materials. **DO NOT USE:** Loctite, SuperGlue, or similar products on the hardware or the trail armor.
- B) Fit:** Verify the fit of the trail armor to vehicle. (Some filing, sanding, or cutting may be necessary to ensure proper fit).
- C) Painting:** (Optional) if paint is desired it must be done prior to installing trail armor on the vehicle. Clean outer surface with a good grade degreaser. **DO NOT USE LACQUER THINNER OR ENAMEL REDUCER AS A DEGREASER.** Wipe outer surface thoroughly with a tack rag prior to paint. Application of plastic adhesion promoter for TPO plastic as per your paint system manufacturer's recommendations is required. Paint trail armor using a high quality enamel, or polyurethane automotive paint.
- D) Exhaust System:** Modifications may be necessary to maintain a minimum 4" clearance between trail armor and exhaust pipes. (Exhaust gases should not vent directly onto trail armor)
- E) Metal Protection:** All exposed fasteners and bare metal should be treated with rust resistant paint **BEFORE** installing trail armor.
- F) Decals:** Trail Armor may interfere with existing decals on vehicle. If you wish, remove decals prior to installation of trail armor.

Set Part #14117

BW14117 Rev-1 01-13-2021

For complete fitment info visit: www.bushwacker.com

TOOLS FOR EASY INSTALLATION:

- Cleaning Cloth
- Phillips Screwdriver
- Masking Tape





The material that your product is made from can be recycled. Please also consider recycling the packaging that your product came in.



LIMITED LIFETIME WARRANTY AGAINST ANY MANUFACTURING DEFECTS

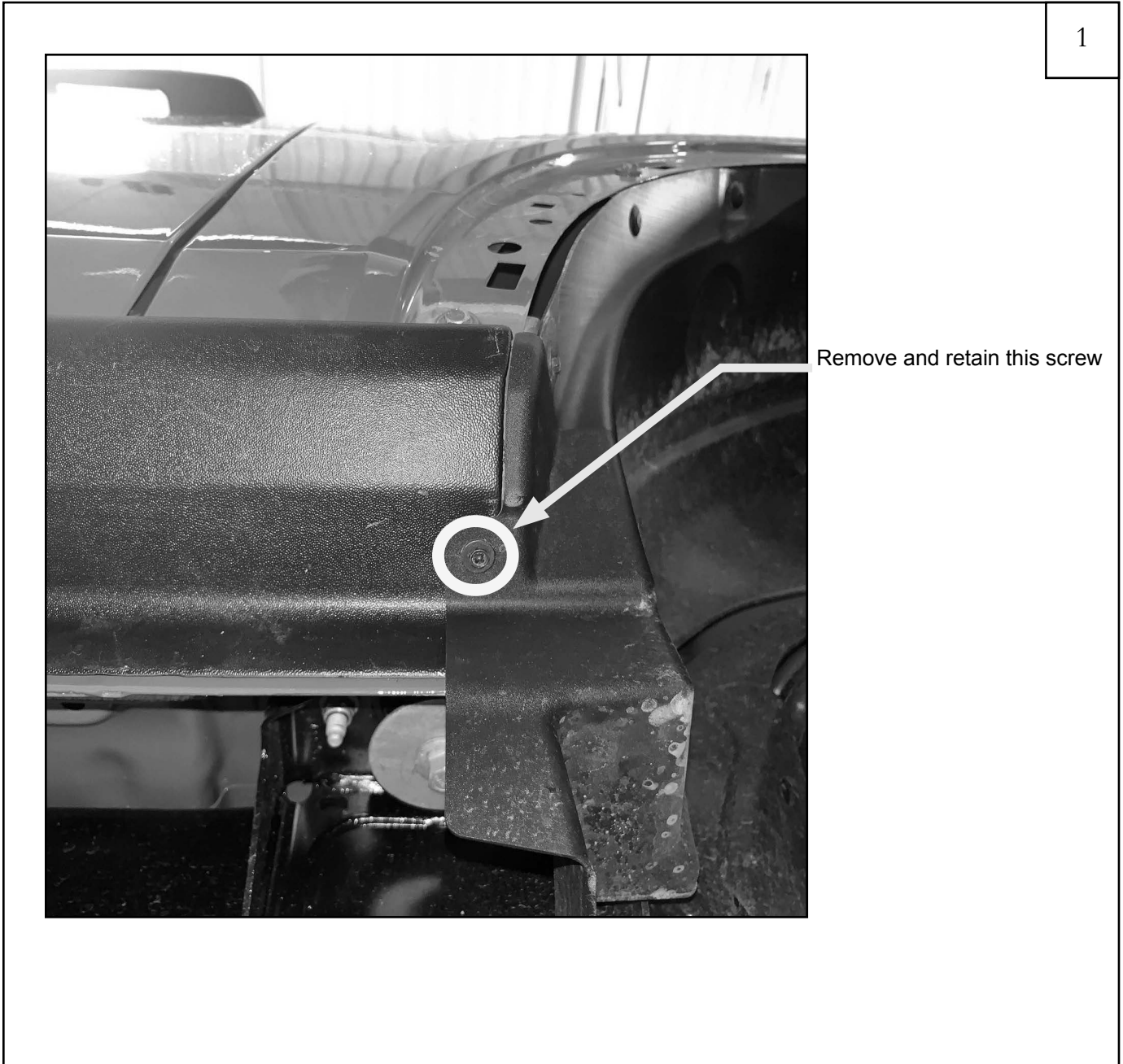
- To claim a warranty, you must provide Proof of Purchase.

Included in Hardware Kit:

1.  **Alcohol Pad**
ALCOHOL
PREP
6 pcs.
2.  **SURFACE PREP**
SURFACE
PREP
2 pcs.

BEFORE BEGINNING INSTALLATION

- A. Locate trim piece installed in the front of the rear wheel well opening.
- B. Look underneath the trim piece and remove (1) factory retaining screw. Retain screw for re-installation later.



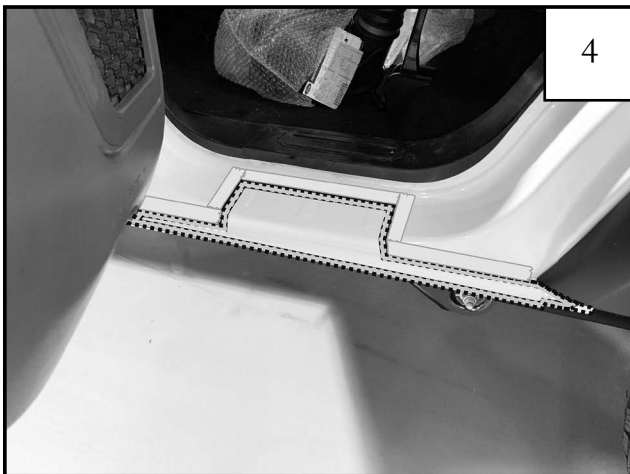
Rear Side Panel Installation Procedure (Driver's Side)



Open vehicle doors. Clean all dirt and debris from vehicle door sills and rocker panel.



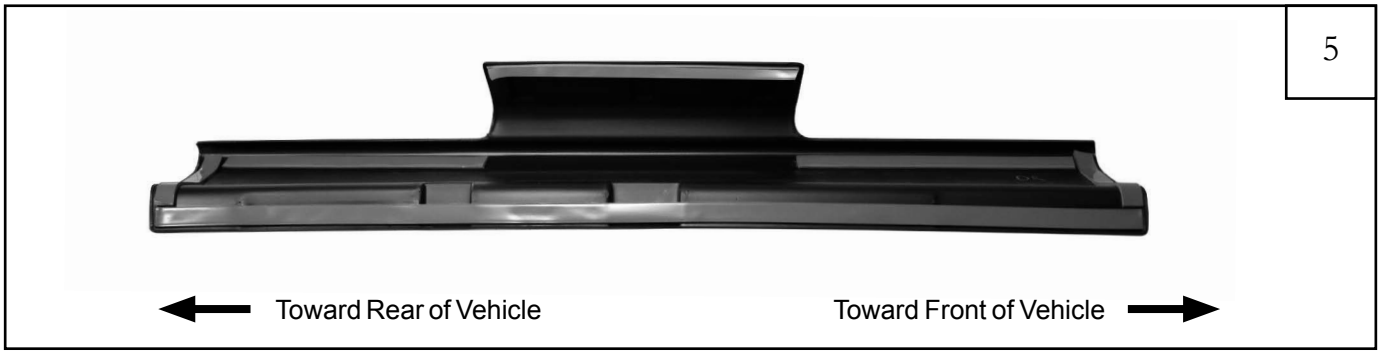
Lay Trail Armor in place on vehicle and mask off the surrounding areas with tape. Remove Trail Armor and set aside.



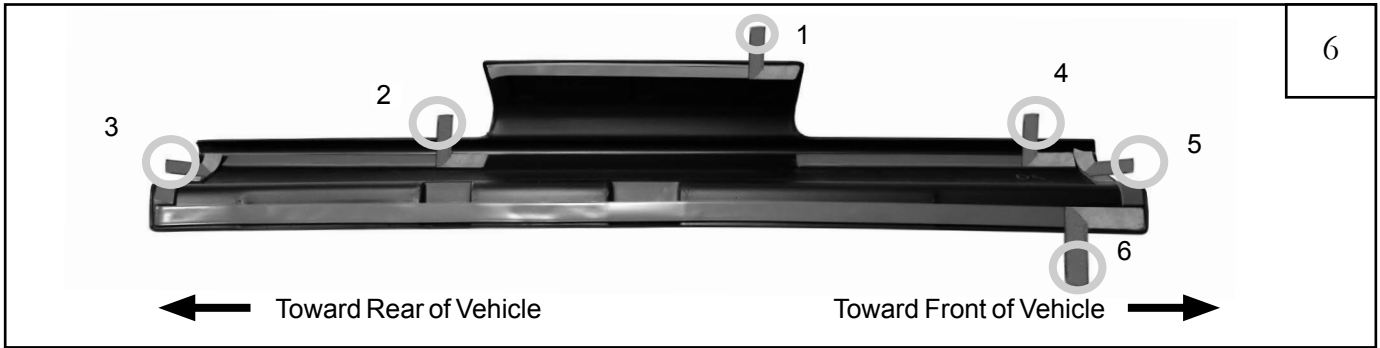
(1) Use alcohol pads to clean areas where the tape on the back of the Trail Armor will contact surface. Let dry.

(2) Apply surface prep to the same area where the tape on the back of the Trail Armor will contact surface. Let dry.

(3) Remove and discard masking tape.

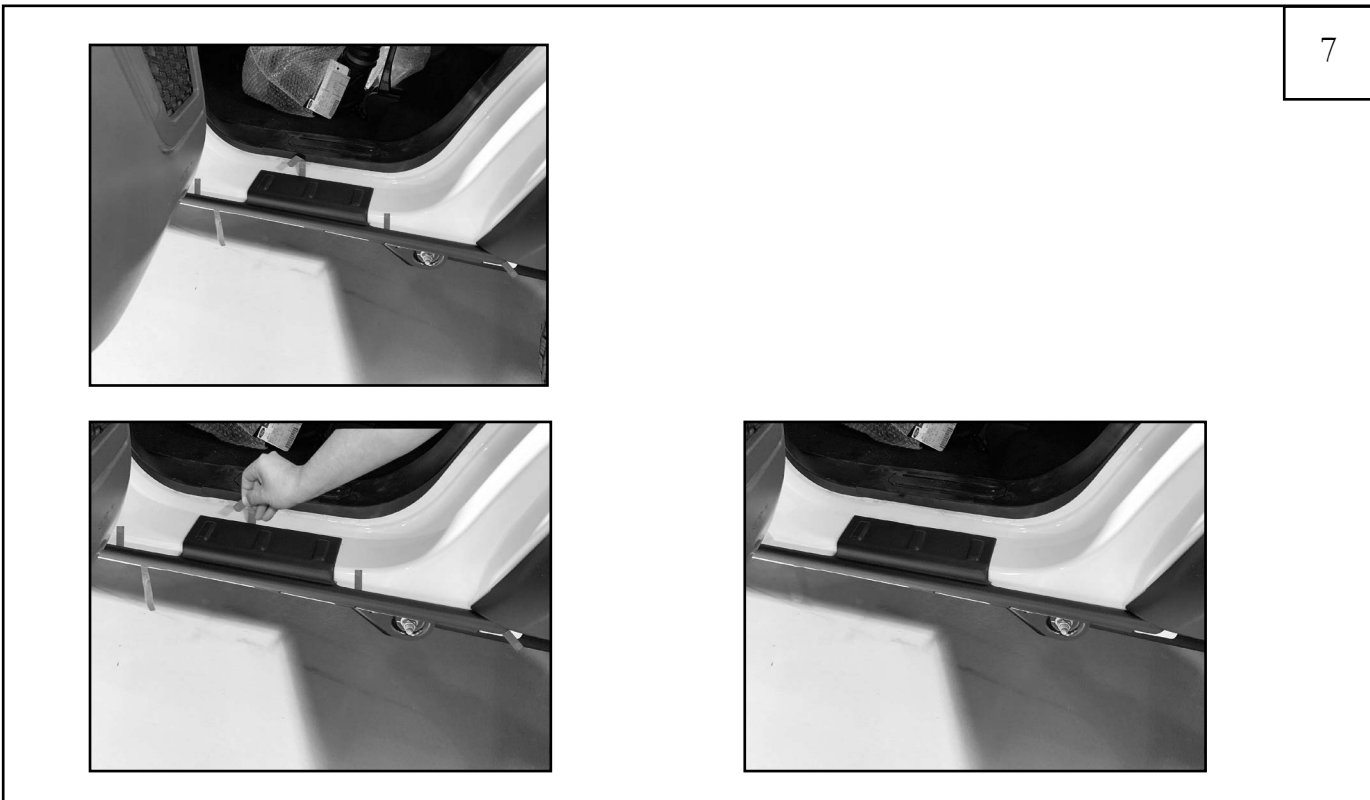


5



6

Peel back roughly 3" of red tape liner from the pieces of tape on the backside of rear part. Make sure red tape liner will be accessible when part is attached to truck.



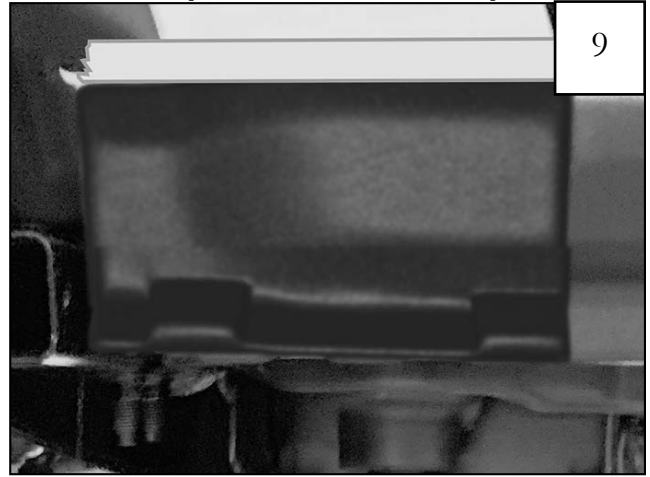
7

Set part in place on vehicle, sliding Trail Armor **underneath** the trim piece described in **Step 1**. Remove all red tapeliners. Apply **FIRM** pressure to mounting locations to affix to truck. Re-install screw removed in **Step 1**.

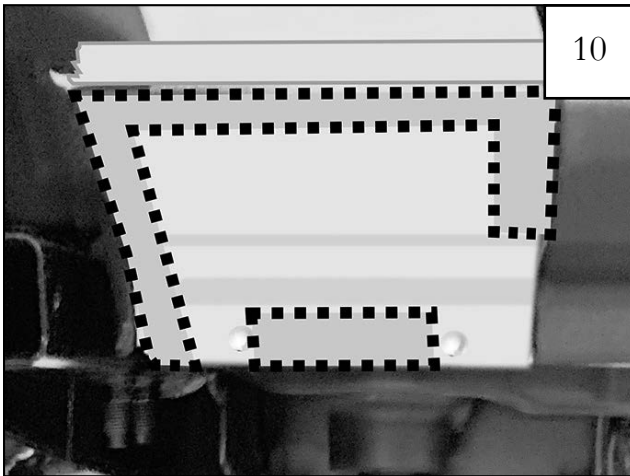
Front Side Panel Installation Procedure (Driver's Side)



Open vehicle doors. Clean all dirt and debris from vehicle door sills and rocker panel.



Lay Trail Armor in place on vehicle and mask off the surrounding areas with tape. Remove Trail Armor and set aside.

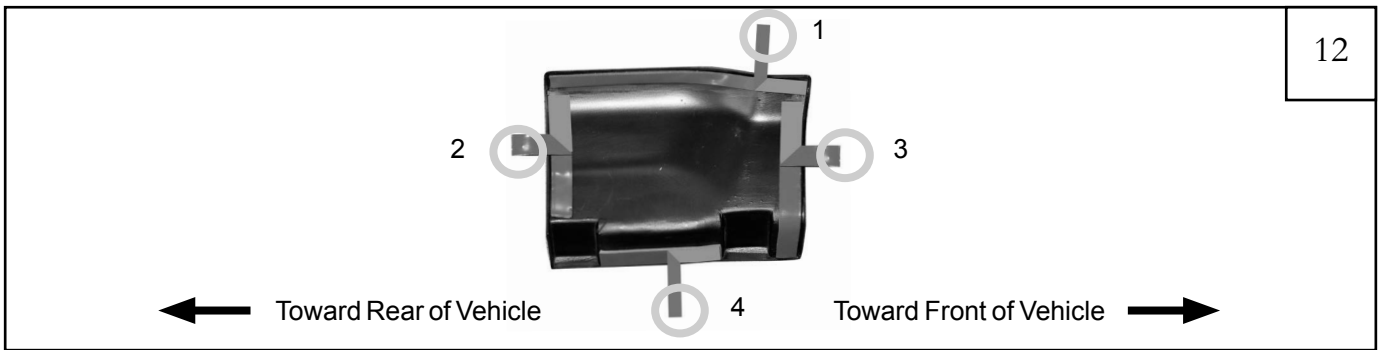
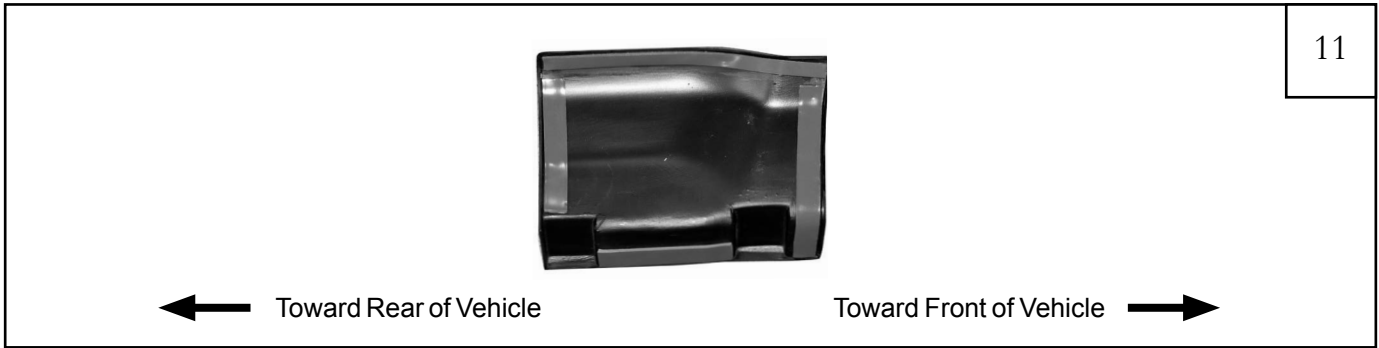


(1) Use alcohol pads to clean areas where the tape on the back of the Trail Armor will contact surface. Let dry.

(2) Apply surface prep to the same area where the tape on the back of the Trail Armor will contact surface. Let dry.

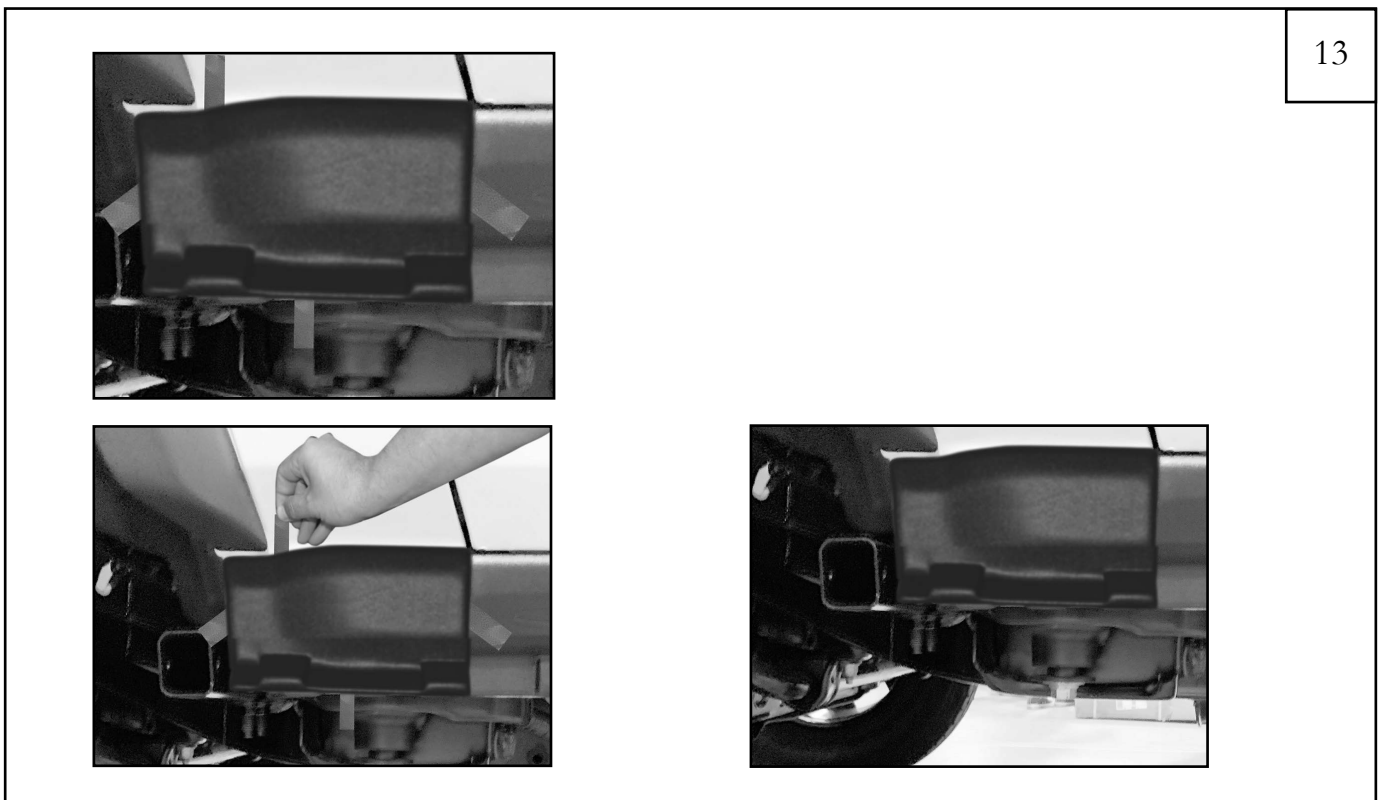
(3) Remove and discard masking tape.

Front Side Panel Installation Procedure (Driver's Side)



Clean all dirt and debris from vehicle door sills and rocker panel. Use supplied alcohol wipes where part will attach.

Peel back roughly 3" of red tape liner from the pieces of tape on the backside of rear part. Make sure red tape liner will be accessible when part is attached to truck.



Set part in place on vehicle. Remove all red tapeliners. Apply FIRM pressure to mounting locations to affix to truck.

Repeat Steps 1-13 for passenger side of truck.