



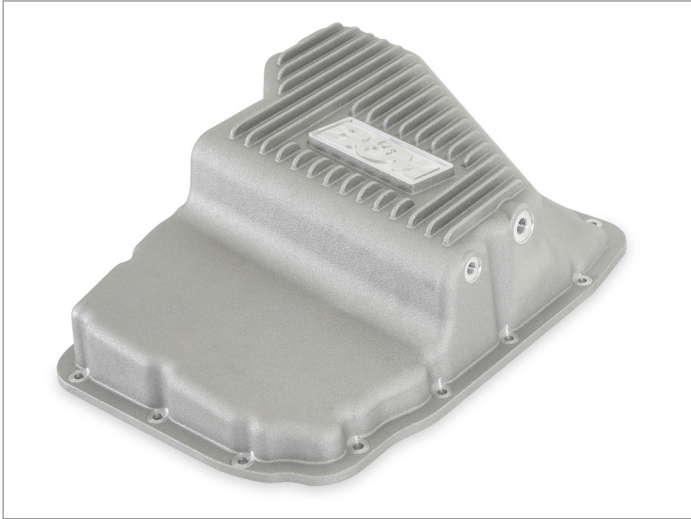
Performance & Off-Road

INSTALLATION INSTRUCTIONS

Part No. 70402

**HI-TEK DEEP TRANSMISSION PAN for
2003-2024 MOPAR SUVs & TRUCKS WITH 45RFE
OR 68RFE TRANSMISSION**

See "Applications" tab on the product web page
for specific applications.



INTRODUCTION

This B&M Hi-Tek deep transmission pan fits 2003-2024 Mopar SUVs and trucks with 45RFE or 68RFE automatic transmissions. (See "Applications" tab on the product web page for specific applications.) The pan features:

- **Improved cooling** with internal and external cooling fins, and 2 quarts additional fluid capacity
- **Increased rigidity** due to cast aluminum construction
- **Easier fluid changes** with a magnetic drain plug (that also captures ferrous particles in the fluid), and
- **A 1/8" NPT port** that accepts a fluid temperature sensor (customer-supplied).

NOTES

- **Installation requires above-average mechanical knowledge and skills.** If this job is beyond your abilities, seek the services of a qualified technician.
- **Before starting, take the time to read and understand these instructions.** Also have the applicable shop service manual for your vehicle for trans pan, gasket and filter change.
- **Use the parts list to verify your kit's contents.** In the unlikely event that any parts are missing, please contact **B&M Technical Support** for replacements.
- **If you do not understand any part of these instructions,** please call **B&M Technical Support** at (866) 464-6553 for assistance.

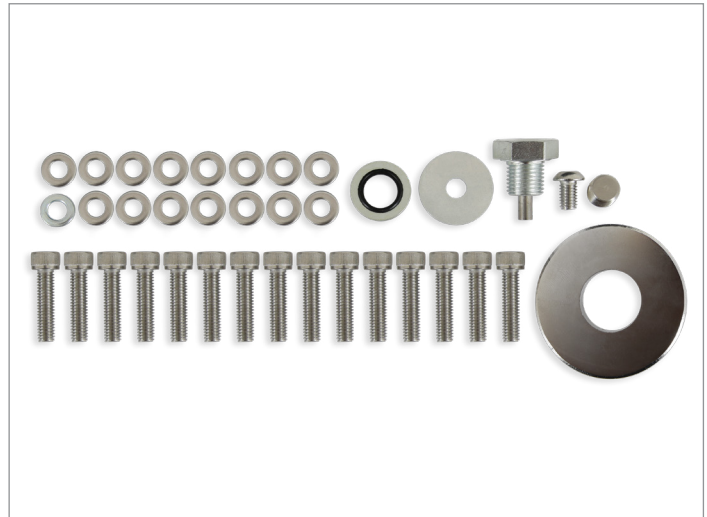
SAFETY

- **WORK SAFELY!** Park the vehicle on a clean, level surface, and chock the wheels to prevent vehicle movement.
- **AVOID SERIOUS INJURY OR DEATH BY CRUSHING!** If additional clearance is required, securely support the vehicle on a lift or jack stands.

WARNING: NEVER work under a vehicle that is supported only by jacks!

- **AVOID BURNS!** Automatic transmissions typically operate at 150-250°F. Allow the transmission to cool down sufficiently before starting work.

PARTS LIST



DESCRIPTION	QTY
PAN, DEEP CAST ALUMINUM, 10L80	1
MAGNET, RING, 2.1" O.D x 0.8" I.D.	1
SCREW, BUTTON HEAD, M6-1.0 x 10	1
WASHER, LOCK, M6	1
WASHER, FENDER, 1/4" I.D.	1
PLUG, 1/8" NPT DRYSEAL, ZINC-PLATED	1
SCREW, ALLEN HEAD, M6-1.0 x 25	15
WASHER, FLAT, M6	15
PLUG, DRAIN, MAGNETIC, 1/2-20	1
GASKET, DRAIN PLUG, 1/2"	1

INSTALLATION

1. **Raise the vehicle** to sufficient working height on a lift or jack stands.

WARNING: NEVER work under a vehicle that is supported only by jacks!

2. **After allowing the vehicle to cool**, drain the fluid and remove the stock pan according to the vehicle's shop manual. (Note the locations of any studbolts that may be used to secure any plumbing lines, wire looms, oil coolers, heat shields, etc. to the transmission pan flange.)
3. **Clean and inspect** the transmission flange and gasket. This pan can be installed with RTV if desired as some applicable vehicles are factory installed with RTV. If you wish to use a gasket it can be obtained from your local parts house.
4. **Inspect the transmission filter.** It may be reused if there is no excessive contamination.
5. **Install the included magnet** in the bottom of the **B&M pan**, using the **M6 button head screw, M6 lock washer, and 1/4" fender washer.**
6. **At the threaded port on the passenger side of the pan**, install either the included **1/8" NPT plug**, or a temperature sensor (customer-supplied), using thread compound or PTFE tape.

7. **Install the gasket and B&M pan** using the included **M6 Allen screws and M6 washers** (and any original studbolts, if applicable). Tighten the fasteners in an alternating pattern to the torque values specified in the service manual.

CAUTION: Prevent oil pan leaks! Do not over-tighten the pan screws.

8. **Reinstall any related plumbing lines**, wire looms, heat shields, etc. that were removed to access the transmission pan.
9. **Install the magnetic drain plug and gasket.**
10. **Service the transmission with fluid** according to the service or owner's manual. Inspect for leaks.

Congratulations, your B&M Hi-Tek deep transmission pan is now installed and ready to enjoy!

KEEP THESE INSTRUCTIONS FOR FUTURE REFERENCE

B&M Performance maintains a highly-trained technical service department to answer your technical questions, provide additional product information and offer various recommendations.

