



INSTALLATION INSTRUCTIONS
 Part No. 45199
PRECISION MANUAL SPORTSHIFTER™
 for 2006-2018 Dodge Ram 2500 & 3500 trucks
 with 6-speed transmission (G56)



PARTS LIST

DESCRIPTION	QTY
SHIFTER ASSEMBLY	1
GASKET, SHIFTER	1

BEFORE STARTING

Take a moment to read and understand these instructions.

We recommend that you retain all factory parts.

WORK SAFELY! Park the vehicle on a clean, level surface. Turn the ignition switch OFF. Chock the wheels, and set the parking brake before starting.

NOTES

- Installation requires moderate mechanical skill. If this job is beyond your abilities, seek the services of a qualified technician.
- The shifter mechanism is precision-assembled at our factory. **Any modification or disassembly of the shifter will void its warranty, and may cause it to malfunction.**
- If you do not understand any part of these instructions, please call **B&M Technical Support** for assistance.

REMOVE THE STOCK SHIFTER



1. **Shift the transmission to NEUTRAL.** Separate the shift lever boot from the console, and slide the boot to the top of the lever.



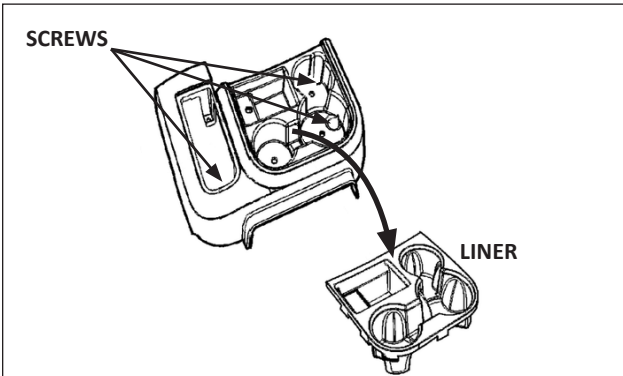
2. **At the bottom of the shift lever, pull the dust boot down** to expose the 2 nuts. Remove the nuts and the lever.



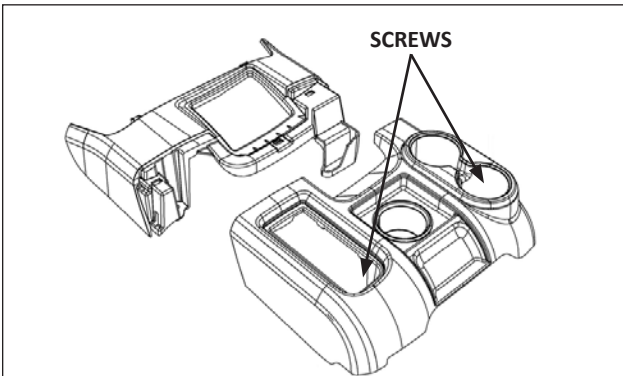
3. **For vehicles with a manual transfer case lever, move the lever to NEUTRAL, then separate the boot from the console and lift it clear, to access the console screw underneath.**



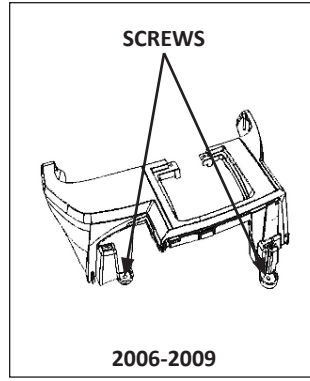
4. For vehicles with a storage bin (instead of a transfer case lever), remove the bin from the console.
5. Remove the console rear half (cup holder):



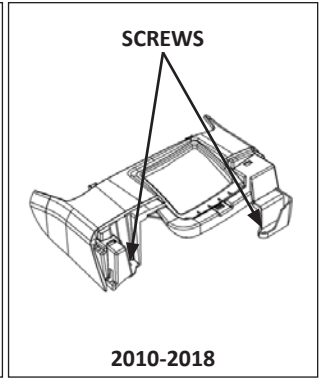
A. 2006-2009: Remove the rubber liner and 3 screws.



B. 2010-2018: Remove the 2 screws.



2006-2009



2010-2018

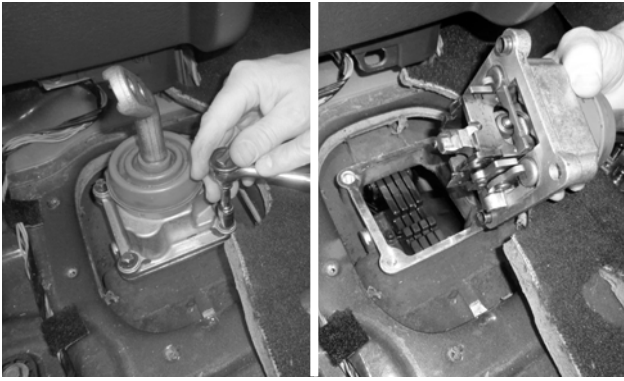
6. Remove the 2 screws and the console front half.



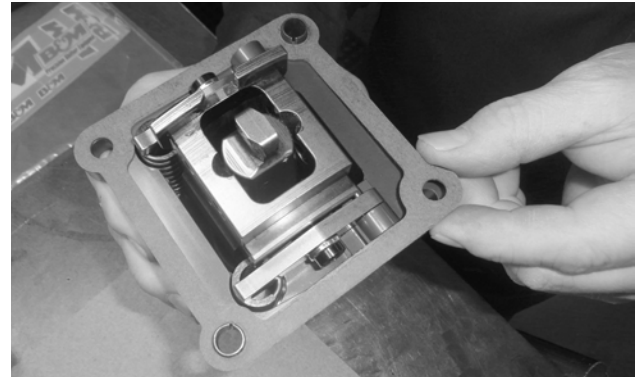
7. Remove the air conditioner / heater duct (if so equipped).



8. Remove the dust boot screws and the dust boot.



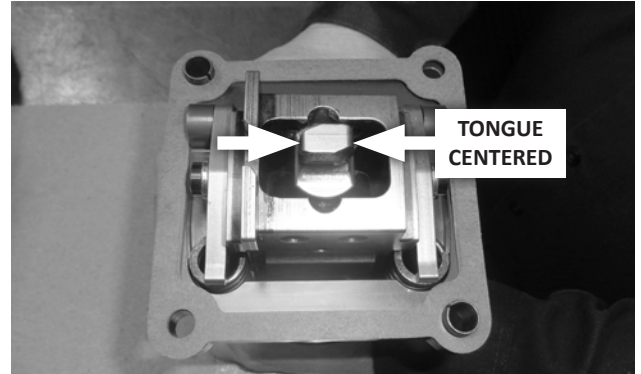
9. Make sure the shifter is still in **NEUTRAL**. Remove the 4 mount screws, then remove the shifter.



12. Install the gasket on the shifter.

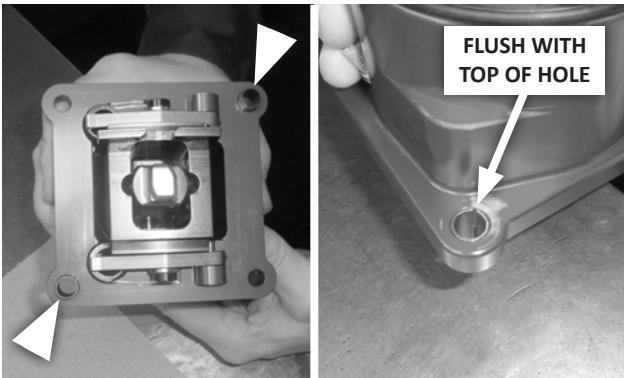


10. Remove the 2 split locating sleeves from the shifter.



13. Verify that the B&M shifter is in **NEUTRAL** (its tongue is centered front-to-back). If not, use a flat-tip screwdriver to pry the tongue to the center.

INSTALL THE B&M PRECISION SPORTSHIFTER



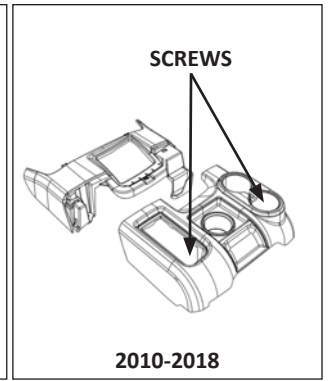
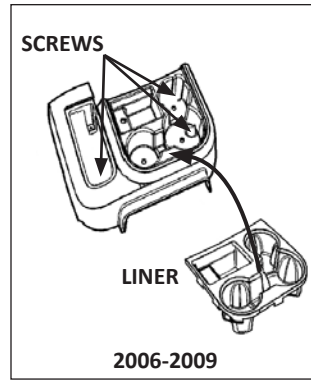
11. Tap the 2 locating sleeves into the larger diameter holes on the new shifter. The sleeves should be flush with the tops of the holes.



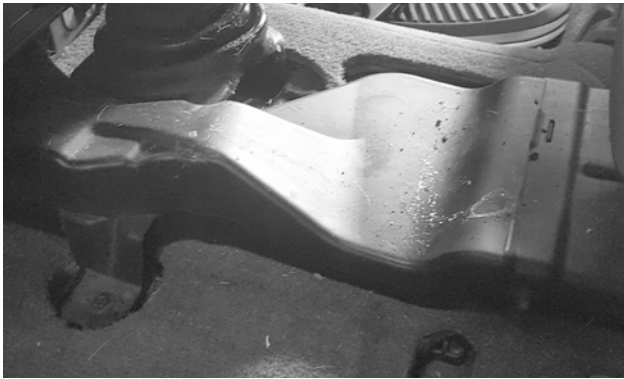
14. Install the B&M shifter using the stock screws. Tighten the screws to 17 ft-lbs torque.



15. Reinstall the dust boot and screws, and return the carpeting to its place.



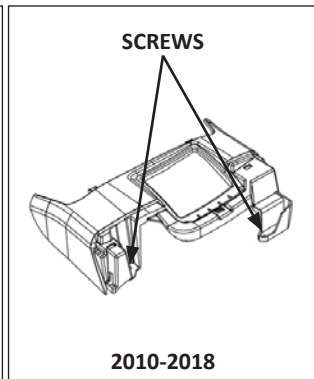
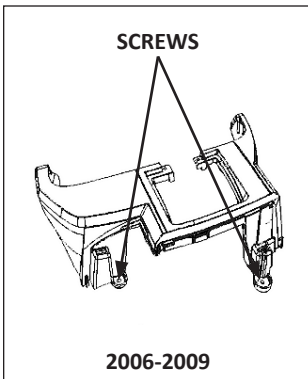
18. Reinstall the console rear half and screws (and rubber liner, if applicable).



16. Reinstall the air conditioner / heater duct (if so equipped).



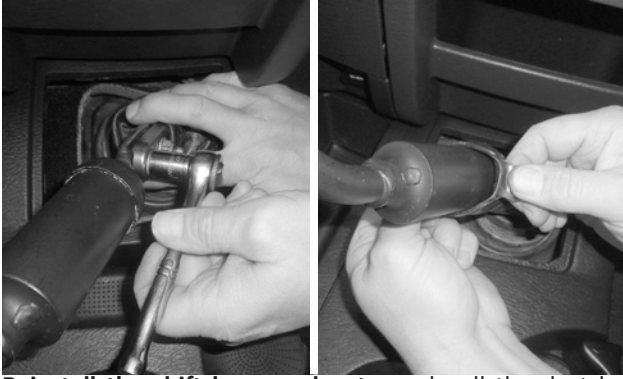
NOTE: For vehicles with a manual transfer case lever, tilt the boot frame slightly to fish it up through the opening.



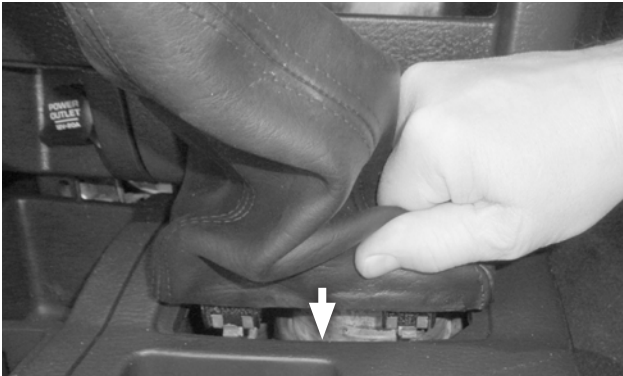
17. Reinstall the console front half and screws.



19. Reinstall the transfer case lever boot or the storage bin in the console rear half.



20. Reinstall the shift lever and nuts, and pull the dust boot back up over the bottom of the lever.



21. Slide the shift lever boot down the lever and reinstall it in the console front half.

Congratulations, your B&M Precision SportShifter™ is now installed and ready to enjoy!

KEEP THESE INSTRUCTIONS FOR FUTURE REFERENCE

B&M Performance maintains a highly-trained technical service department to answer your technical questions, provide additional product information and offer various recommendations.

B&M TECHNICAL SUPPORT: (866) 464-6553

