

# MSD IGNITION INSTALLATION INSTRUCTIONS

## PRO MAG 44 KILL SWITCH RELAY PN 8134

### Parts Included:

1 - Relay	2 - 8 x 32 Nuts
2 - 5/16 x 24 Nuts	2 - 8 x 32 Lock Washers
2 - 5/16 Spacers	

**WARNING:** Extremely high current and voltage is present on the Pro Mag Coil terminals and on the Kill Switch Relay. Use extreme caution when working around the Coil and Relay.

This Relay is designed to be used with the MSD Pro Mag 44 in conjunction with a kill switch.

The Relay is Normally Closed. When 12 volts is applied across the smaller terminals, the Relay is Open allowing the engine to run.

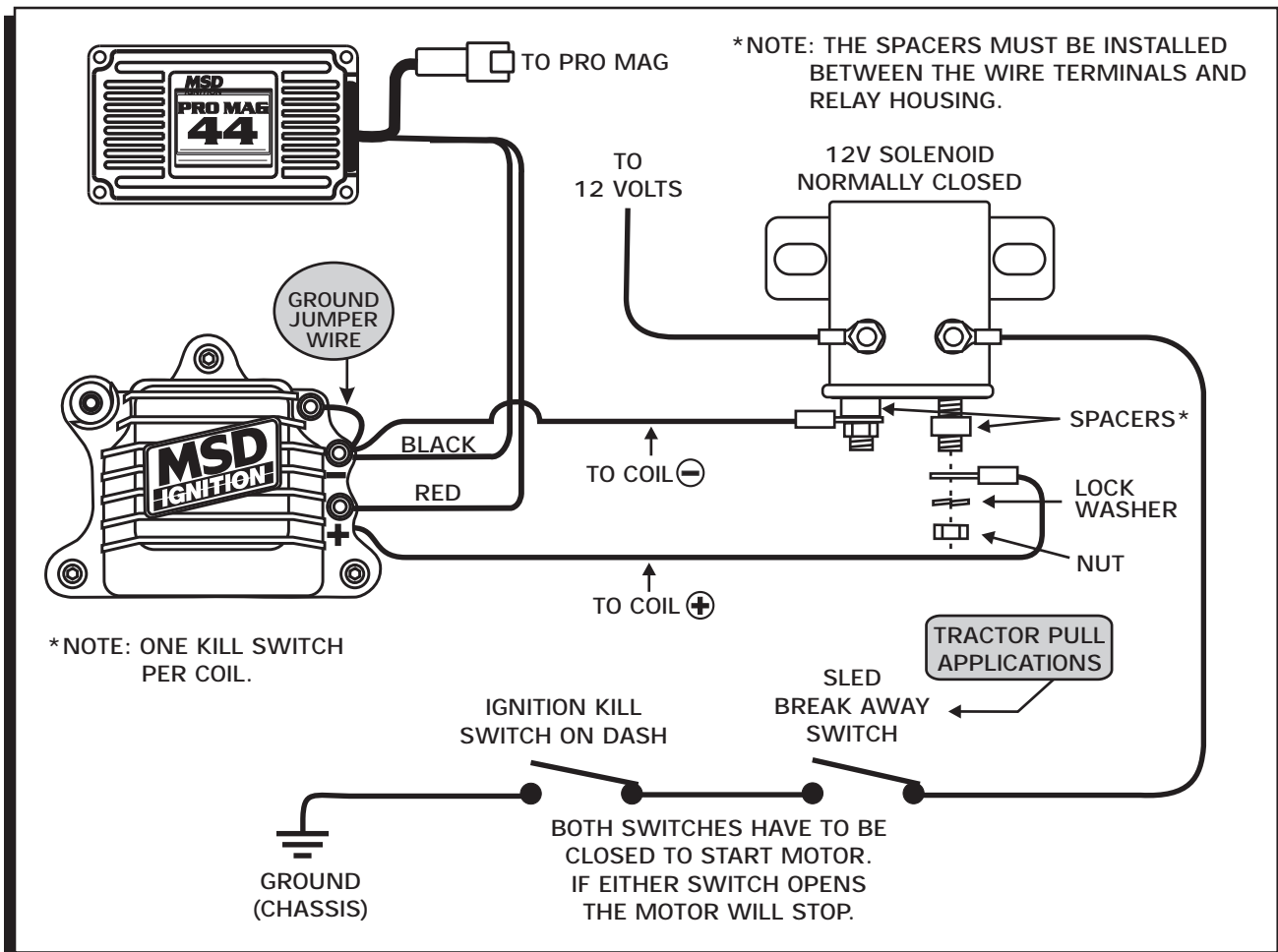


Figure 1 Typical Wiring on a Tractor Puller.

