




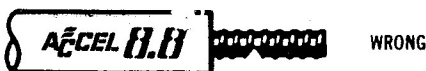






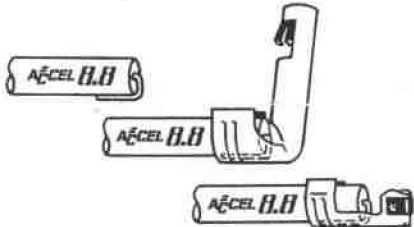
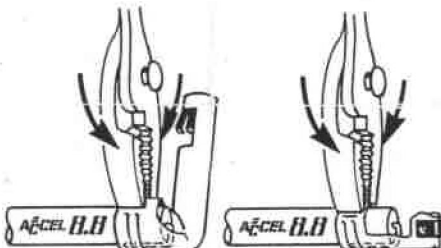
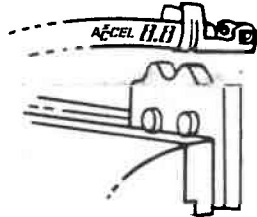
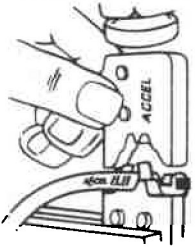
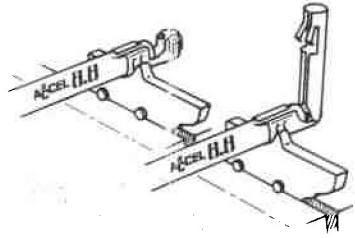



# ACCEL 8.8 WIRE INSTALLATION INSTRUCTIONS

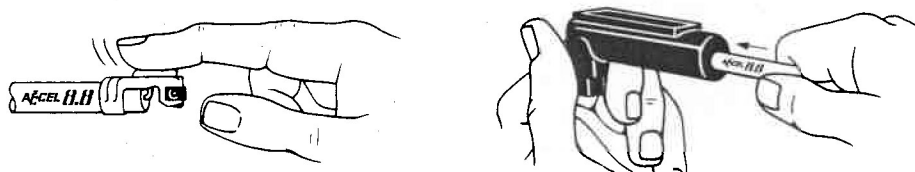
1. Start with the longest plug cable and replace one at a time.
2. Slide the distributor boot over the open end of the wire before terminating. (Non-HEI boot only)
3. To crimp the terminals on the wire, follow the steps listed below.

  <b>WRONG</b> DO NOT SLIT CORE  <b>WRONG</b> DO NOT SHRED OR STRIP AWAY CORE  <b>RIGHT</b>	  <b>WRONG</b> DO NOT SLIT CORE  <b>WRONG</b> DO NOT SHRED OR STRIP AWAY CORE  <b>RIGHT</b>	  <b>WRONG</b> DO NOT CUT OFF SINGLE STRANDS  <b>WRONG</b> DO NOT LEAVE STRANDS SEPARATED AFTER STRIPPING  <b>RIGHT</b>
---	---	--

A. Strip wire to expose  $\frac{5}{8}$  inch of conductor.

 <p>B. Bend conductor over wire and insert into terminal.</p>	 <p>C. Bend terminal tabs over with pliers.</p>	 <p>D. Place bottom half of crimping tool in vise.</p>
 <p>E. Place wire in tool as shown with upper half of crimping tool over tabs. Strike with hammer until a firm crimp is achieved.</p>	 <p>F. Correct crimp pictured above.</p>	 <p>G. Slide Boot (Non-HEI) back to terminal, for HEI Boots see following instructions.</p>

## INSTALLING H.E.I. DISTRIBUTOR CAP BOOTS



1. Lightly lubricate the terminal with the dielectric grease included and slide the wire into the HEI boot.
2. Small amounts of this grease may also be applied inside of boots on both spark plug and distributor cap ends.
3. Be sure you have made a good connection in the distributor cap and coil. You should recheck these connections periodically. If connector in distributor cap or coil is gray-green, "or appear corroded" you may have a poor connection.