



350 S. St. Charles St. Jasper, In. 47546  
Ph. 812.482.2932 Fax 812.634.6632  
[www.ridetech.com](http://www.ridetech.com)

**Part # 19011499**  
**Mustang II Lower StrongArms**  
For Use with CoolRide

**Components:**

- |   |          |   |
|---|----------|---|
| 1 | 90000651 | Driver side lower arm   |
| 1 | 90000652 | Passenger side lower arm  |
| 2 | 90000895 | Ball joint – includes castle nut, cotter pin, grease fitting & boot |
| 4 | 90001942 | Rubber bushings – pressed into arms                                 |
| 2 | 90000202 | Gusset for cross member   |
| 2 | 90000277 | 7.75" steel spacer  |
| 2 | 90002283 | Steel spacer for ball joint – may not be needed on some cars        |

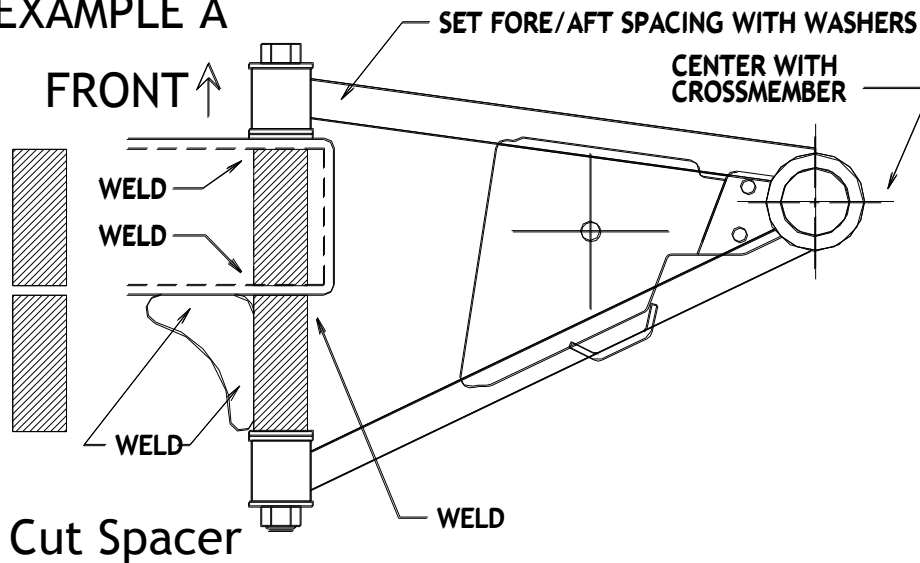
**Hardware:**

- |   |          |                       |
|---|----------|-----------------------|
| 2 | 99621008 | 5/8"-18 x 12" bolt    |
| 2 | 99632002 | 5/8"-18 Nylok jam nut |
| 4 | 99563001 | 9/16" USS flat washer |

## Installation Instructions

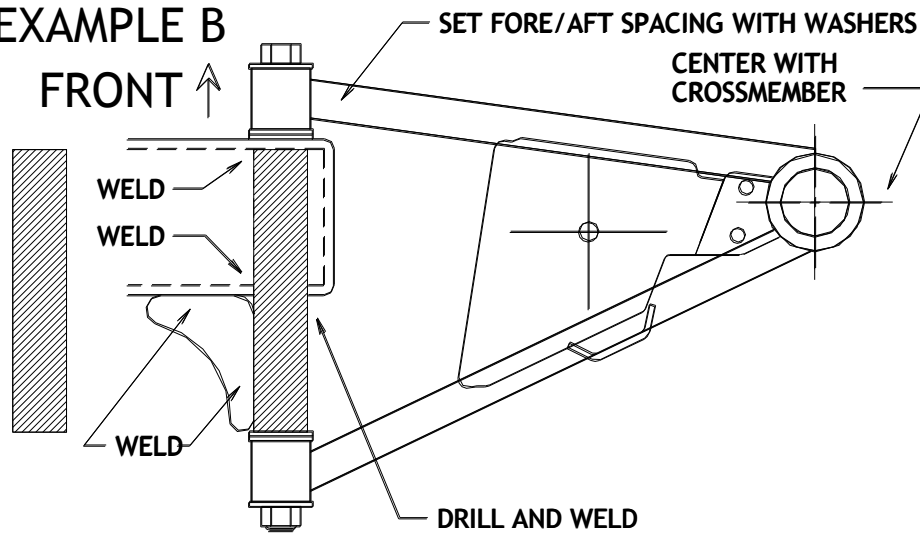
### ARM 1000 INSTALLATION INSTRUCTIONS

#### EXAMPLE A



OR

#### EXAMPLE B



Spacer Placed Thru  
1.375" hole drilled in rear  
side of crossmember

# STRONG ARMS™

by Air Ride Technologies

Item #	Description	Qty.
1.	Driver side arm	1
2.	Ball joint	1
3.	Rubber bushing	2
4.	Frame gusset	1
5.	Frame spacer	1
6.	5/8"-18 x 12" bolt	1
7.	5/8"-18 Nylok jam nut	1
8.	9/16" USS flat washer	2

