



Installation Instructions Hardtop Rack System

Vehicle Application:
Jeep® JL Wrangler Unlimited 2018- Current,
Part Number 41471

Installation Tips

Before you begin installing your new Bestop Hardtop Rack System, please read all the instructions thoroughly.

WARNING The manufacturer strongly recommends that this product be professionally installed.

WARNING This product is designed primarily to enhance the appearance and comfort of the vehicle. Do not rely in any way on the components of this product to protect the occupants within the vehicle, or to protect against injury or death in the event of an accident. Never operate the vehicle in excess of manufacturer's specifications.

CAUTION Safety glasses should be worn at all times when installing this product.

WEAR SEAT BELTS AT ALL TIMES



Tools



Safety Glasses



10mm and 13mm
Wrench



Socket
Wrench



13mm Socket

Installation Time

1 00 1 Hour

Skill Level

1 2 3 4
2 - Moderatly Easy

Support

We're here to help! Go to:
<https://www.bestop.com>
and click on Need Help?



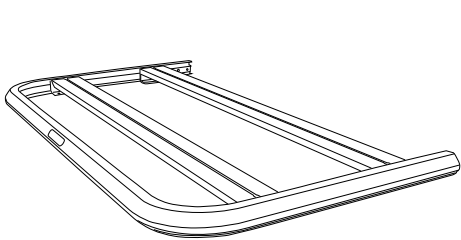
<https://www.bestop.com/video-library>



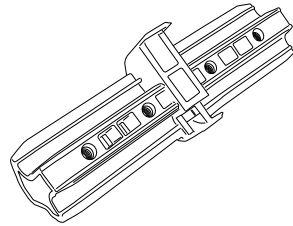
Installation Instructions Hardtop Rack System

Vehicle Application:
Jeep® JL Wrangler Unlimited 2018- Current
Part Number 41471

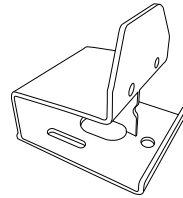
Parts List



Roof Rack Assembly
Part # 200407257
Qty 2



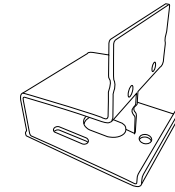
Plastic Connector
Part # 200367498
Qty 2



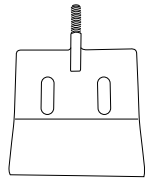
Front Mounting Bracket
Part # 200380287
Qty 2



Center Mounting Bracket
Part # 200380297
Qty 4



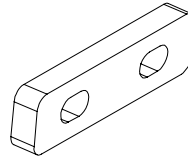
Rear Mounting Bracket
Part # 200380293
Qty 2



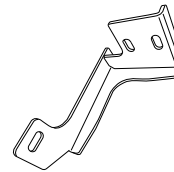
Front and Rear Clamping Bracket
Part # 200380304
Qty 4



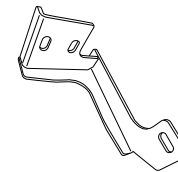
Center Clamping Bracket
Part # 200367324
Qty 4



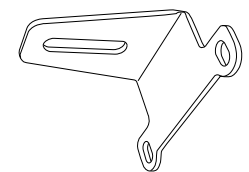
Rear Mounting Bracket Spacer
Part # 200415823
Qty 2



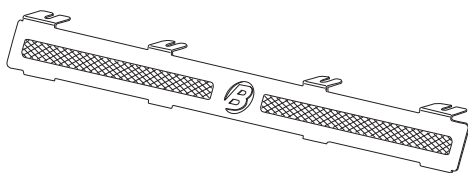
Light Bar Mounting Bracket Right Side
Part # 200389126
Qty 1



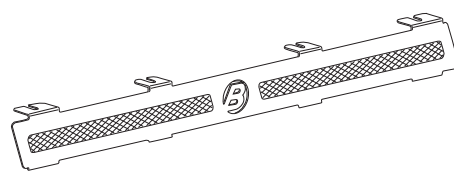
Light Bar Mounting Bracket Left Side
Part # 200389125
Qty 1



Light Mounting Bracket
Part # 200367581
Qty 4



Side Plate Right
Part # 200407426
Qty 1



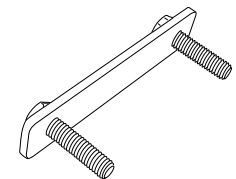
Side Plate Left
Part # 200407595
Qty 1



Rubber Strip for Front and Rear Brackets
Part # 200417242
Qty 4



Rubber Strip for Center Brackets
Part # 200417244
Qty 4



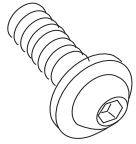
M6 T-Bolt
Part # 200401267
Qty 4



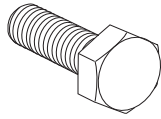
Installation Instructions Hardtop Rack System

Vehicle Application:
Jeep® JL Wrangler Unlimited 2018- Current
Part Number 41471

Parts List



Combo Bolt M6
Part # 3006267
Qty 8



M6 x 25mm Hex Bolt
Part # 3002591
Qty 8



*M8 hex Nut
Part # 3001481
Qty 8



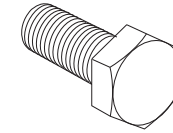
M6 Flat Washer
Part # 3000222
Qty 16



M6 Hex Nut
Part # 3001471
Qty 12



M6 Split Washer
Part # 3000136
Qty. 12



Bolt M8 X 35mm
Part # 3002609
Qty 4



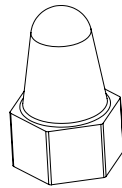
M6 Tie Down Ring
Part # 200406748
Qty 8



4mm Allen Wrench
Part # 3000062
Qty 1



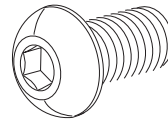
5mm Allen Wrench
Part # 3000070
Qty 1



M8 Plastic Nut
Part # 200415696
Qty 8



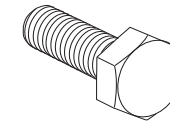
M8 Split Washer
Part # 3000147
Qty 22



Button Head Bolt M8
Part # 3000766
Qty 2



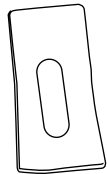
M6 Nut Plate
Part # 200389904
Qty 8



Hex Bolt
8mm x 25mm
Part # 3002591
Qty 8



M8 Flat Washer
Part # 3000238
Qty 22



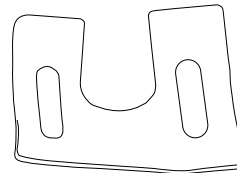
Foam Tape for Center
Mounting Brackets
Part # 200381993
Qty 4



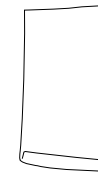
Foam Tape 5mm Thick
(Center Brackets)
Part # 200367479
Qty 4



Foam Tape 3mm Thick
(Center Brackets)
Part # 200367480
Qty 4



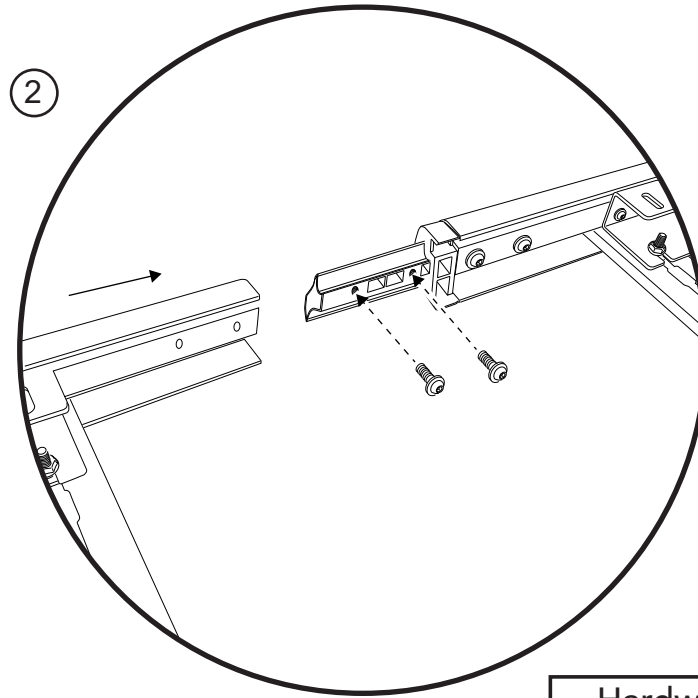
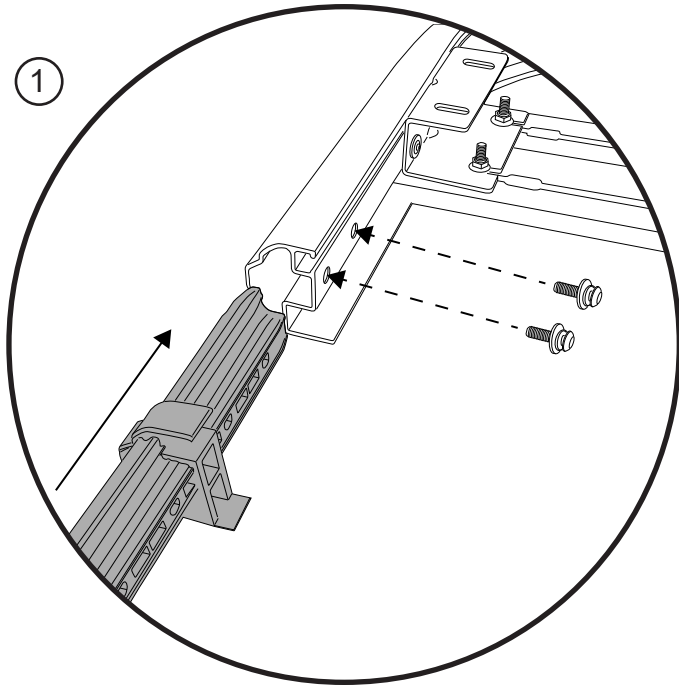
Foam Tape for Front and
Rear Mounting Brackets
Part # 200370494
Qty 4



Foam Tape 5mm Thick for
Front and Rear Brackets
Part # 200243048
Qty 4



Foam Tape 3mm Thick for
Front and Rear Brackets
Part # 200352579
Qty 4

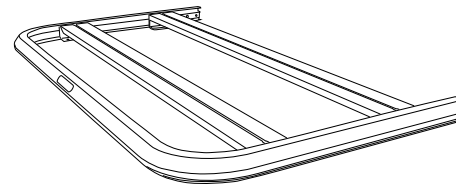


Tools

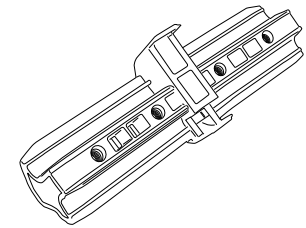


4mm Allen Wrench
Part # 3000062
Qty 1

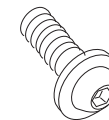
Hardware



Roof Rack Assembly
Part # 200407257
Qty 2

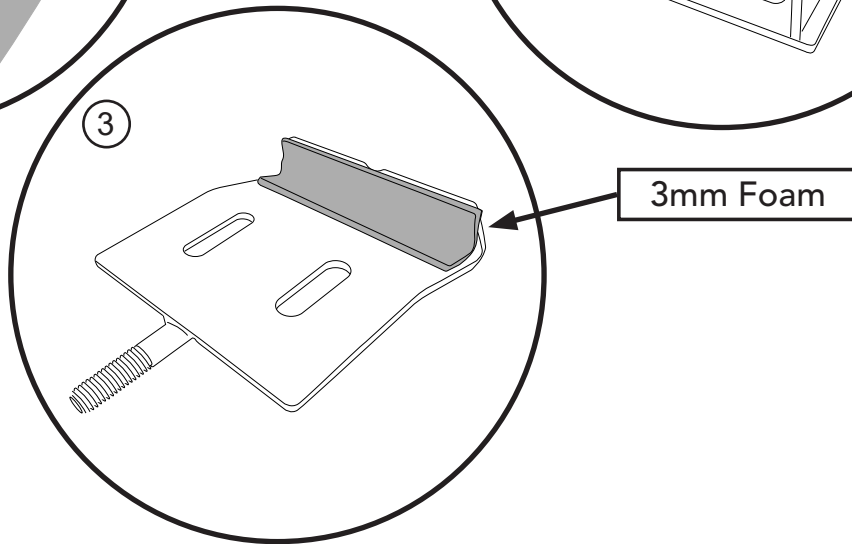
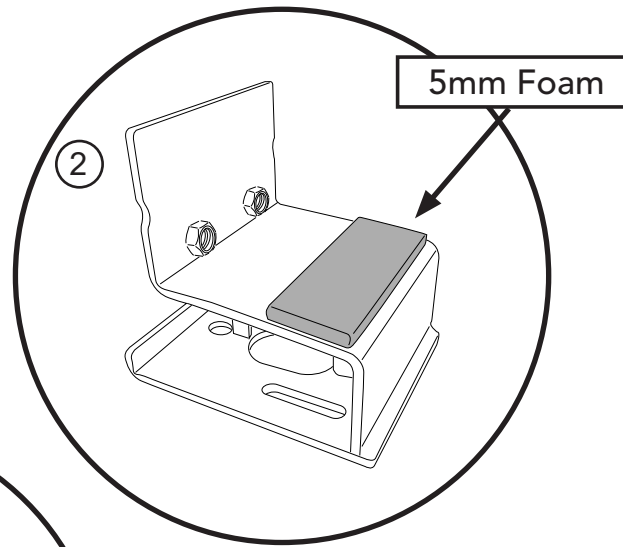
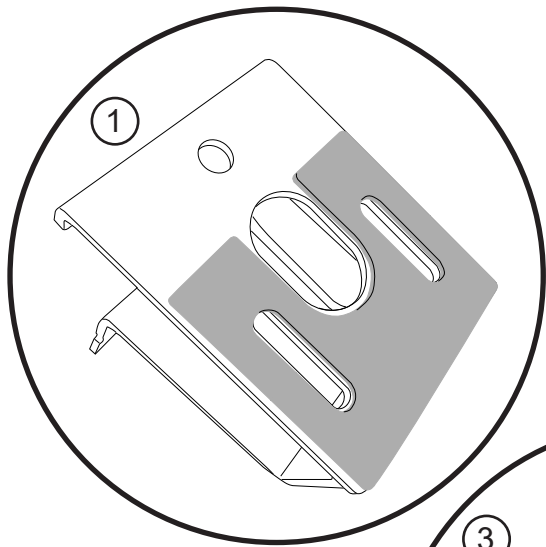


Plastic Connector
Part # 200367498
Qty 2

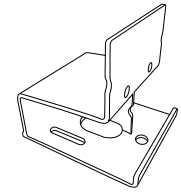


Combo Bolt M6
Part # 3006267
Qty 8

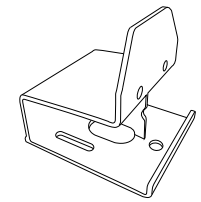
- ① Insert the Plastic Connectors into one of the Roof Rack Assemblies and install two (2) M6 Combo Bolts. (Both Sides)
- ② Attach the other Roof Rack Assembly onto the Plastic Connectors. Use two (2) M6 Combo Bolts (Per side) to secure the Assemblies together.



Hardware



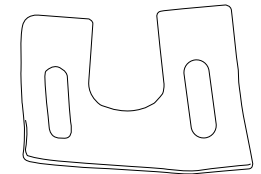
Rear Mounting Bracket
Part # 200380293
Qty 2



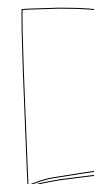
Front Mounting Bracket
Part # 200380287
Qty 2



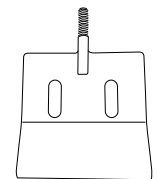
Foam Tape 5mm Thick
Part # 200243048
Qty 4



Foam Tape for
Mounting Brackets
Part # 200370494
Qty 4

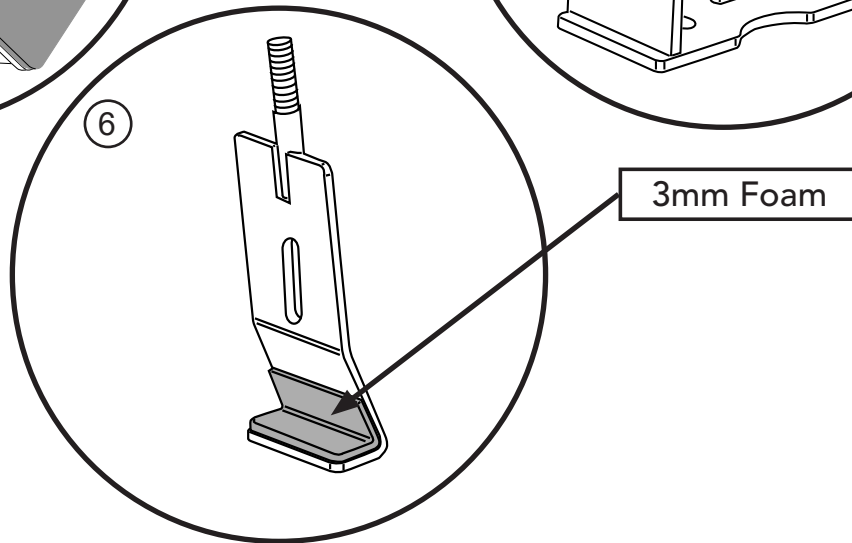
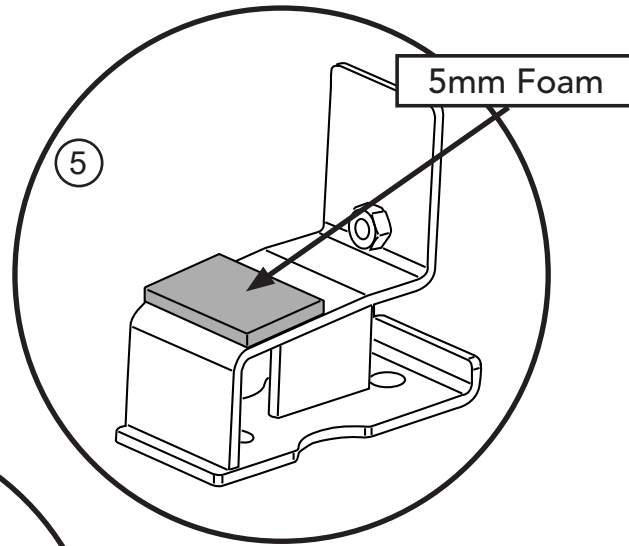
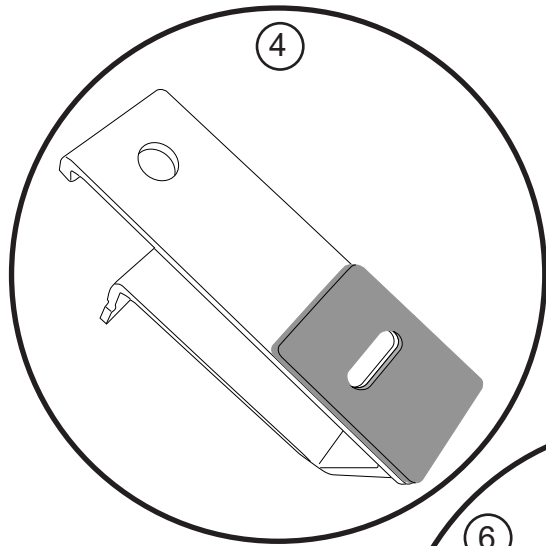


Foam Tape 3mm Thick
Part # 200370494
Qty 4



Clamping Bracket
Part # 200380304
Qty 4

- ① Using the Foam Tape for Mounting Bracket, Peel the backing off of the foam and place it (adhesive side down) onto the 4 Mounting Brackets.
- ② Using the 5mm Foam Tape, Peel the backing off of the foam and place it (adhesive side down) onto the 4 Mounting Brackets.
- ③ Using the 3mm Foam Tape, Peel the backing off of the foam and place it (adhesive side down) onto the 4 Clamping Brackets.



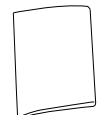
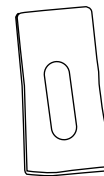
- ④ Using the Foam Tape for Rear Mounting Bracket, Peel the backing off of the foam and place it (adhesive side down) onto the 4 Center Mounting Brackets.
- ⑤ Using the 5mm Foam Tape, Peel the backing off of the foam and place it (adhesive side down) onto the 4 Center Mounting Brackets.
- ⑥ Using the 3mm Foam Tape, Peel the backing off of the foam and place it (adhesive side down) onto the 4 Center Clamping Brackets.

Hardware



Center Mounting Bracket
Part # 200380297
Qty 4

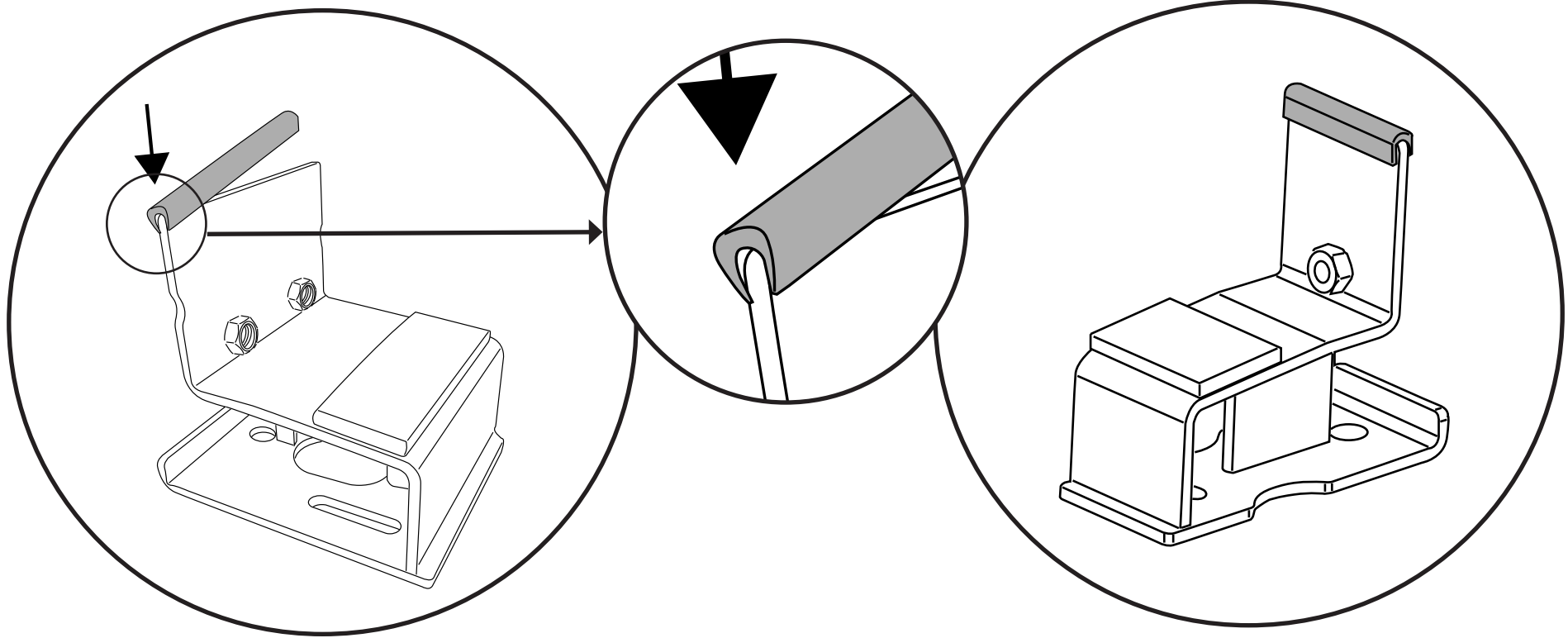
Center Clamping Bracket
Part # 200367324
Qty 4



Foam Tape for Center Mounting Brackets
Part # 200381993
Qty 4

Foam Tape 5mm Thick (Center Brackets)
Part # 200367479
Qty 4

Foam Tape 3mm Thick (Center Brackets)
Part # 200367480
Qty 4



Start at one end of the Rear Mounting Bracket,
Press the Rubber Strip along the edge.

Repeat on all 8 Mounting Brackets.

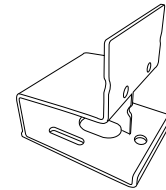
Hardware



Rubber Strip
Part # 200417242
Qty 4



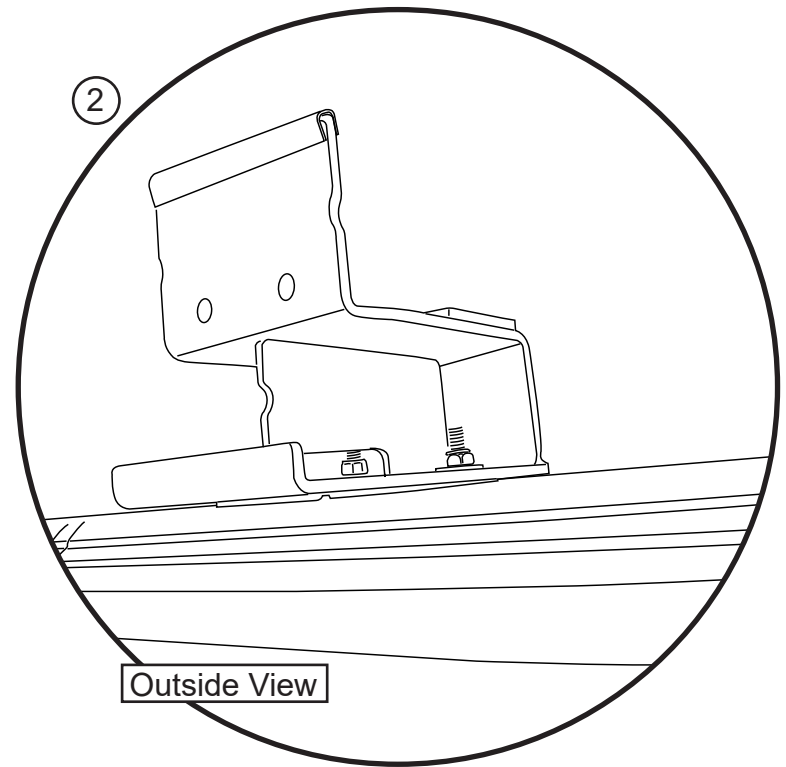
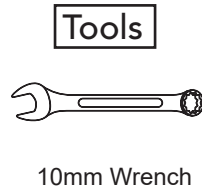
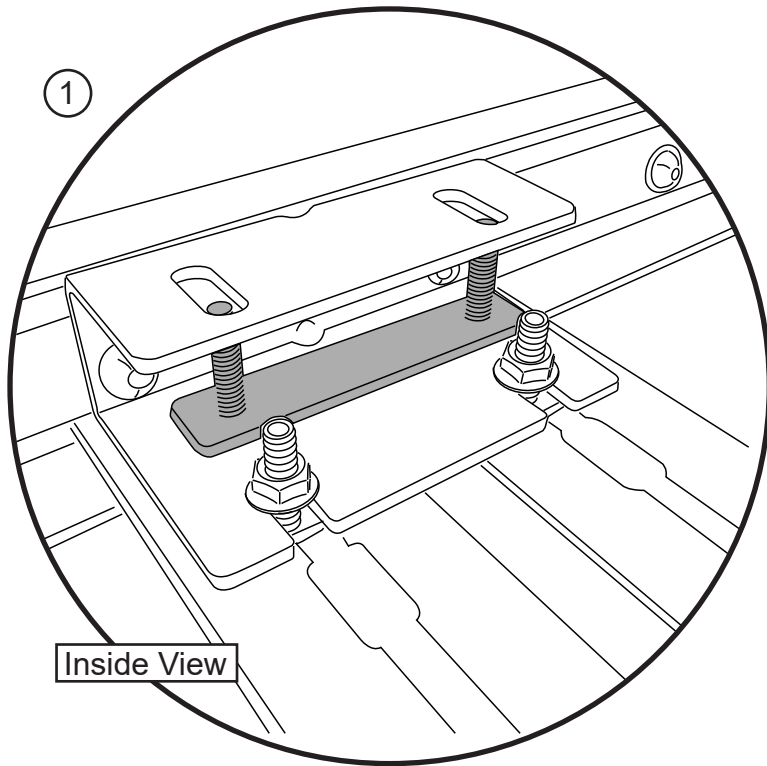
Rubber Strip for
Center Brackets
Part # 200417244
Qty 4



Rear Mounting Bracket
Part # 200380293
Qty 4



Center Mounting Bracket
Part # 200380297
Qty 4

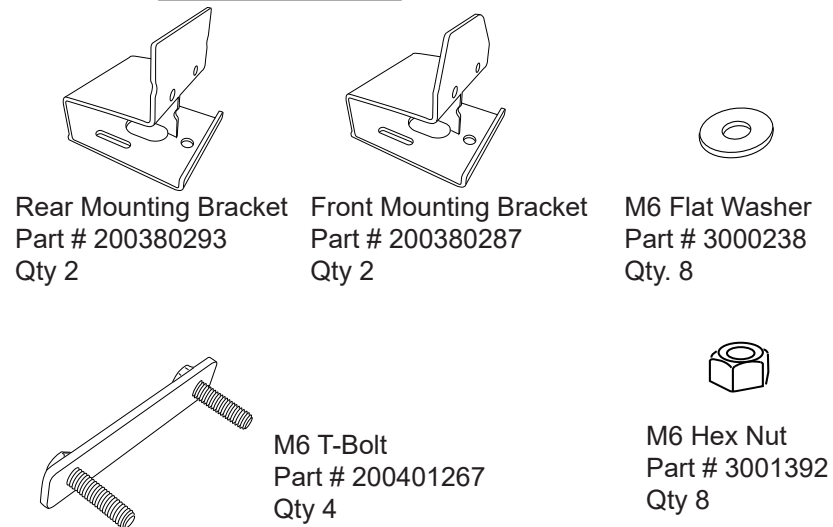


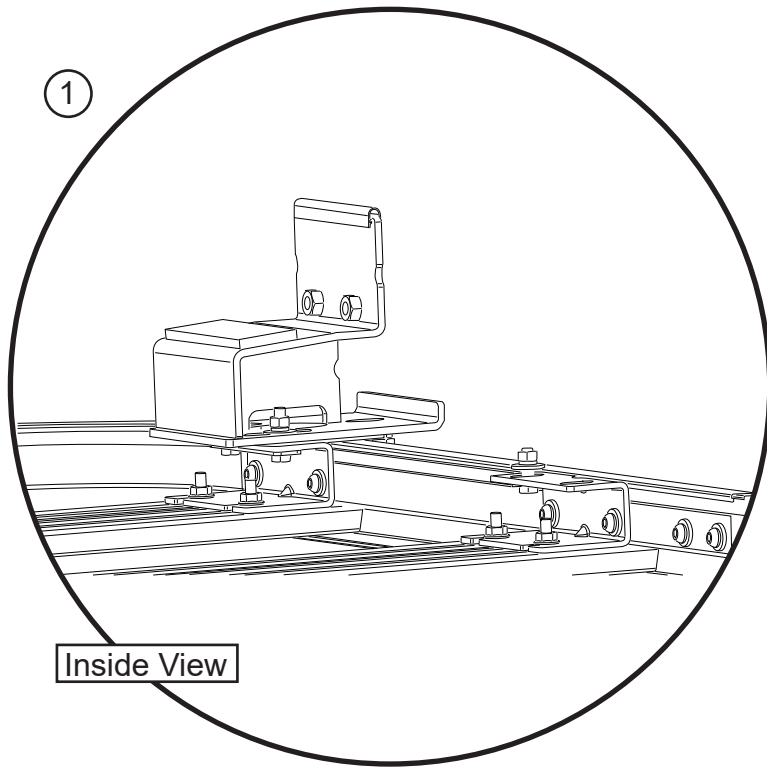
1 Turn rack over on it's back. Slide the T-Bolt onto the bracket. (Bracket installed at the factory)

2 Lift the T-Bolt up, set the Rear Mounting Bracket over the Bolts then place 2 M6 washers and 2 M6 Lock nuts on the T-Bolts. Do not tighten these at this time.

Place the 2 Rear mounting Brackets on one end of the rack and the 2 Front Mounting Brackets at the other end. This will determine which end is the front and which end is the back.

Hardware



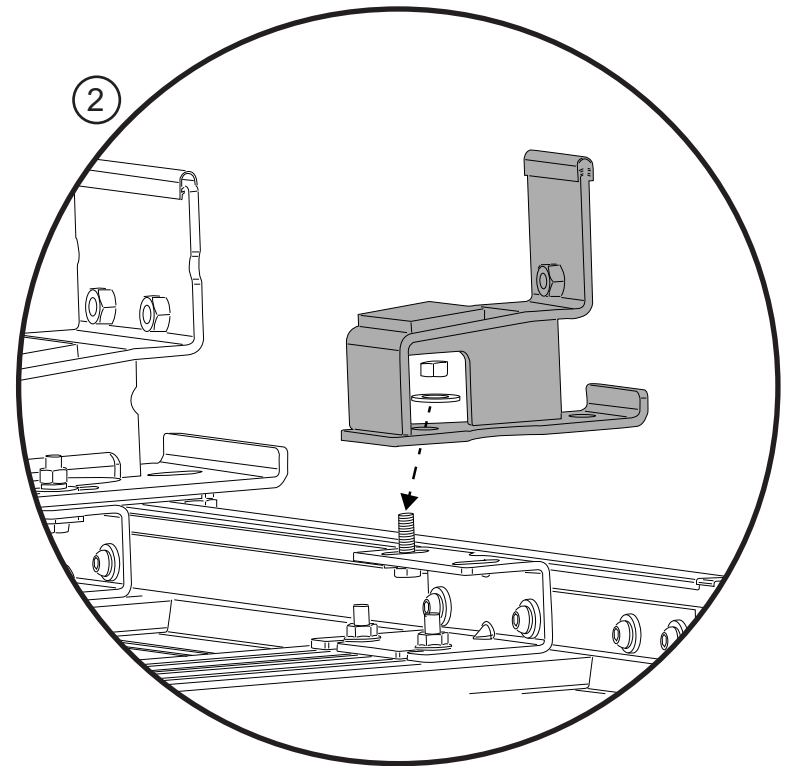


Inside View

Tools



10mm Wrench



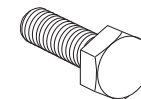
- ① With the rackstill on it's back, Place the M6 Hex bolt through the slot on the factory installed bracket in the rear slot for the back end and front slot for the front end of the rack.
- ② Place the M6 flat washer and the M6 Lock Nut on the M6 Bolt. Do not tighten at this time.

Repeat this step on all 4 brackets.

Hardware



Center Mounting Bracket
Part # 200380297
Qty 4



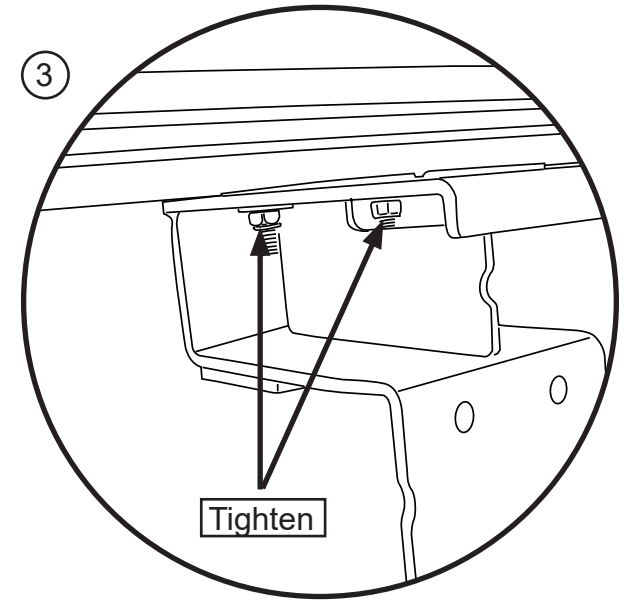
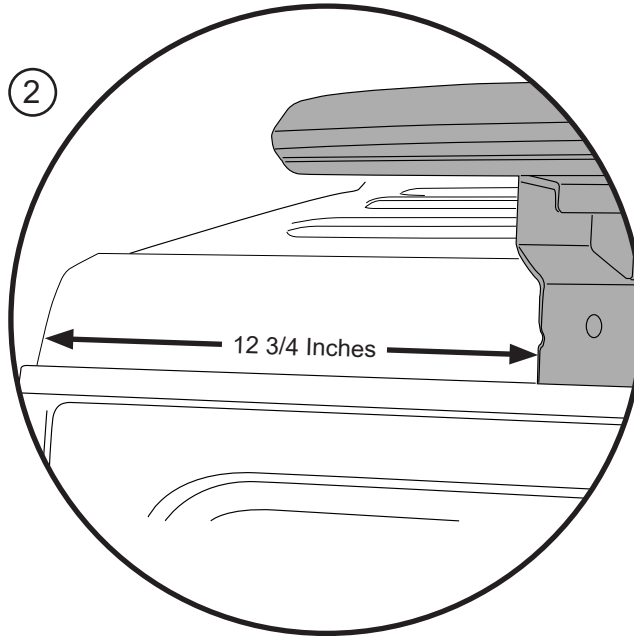
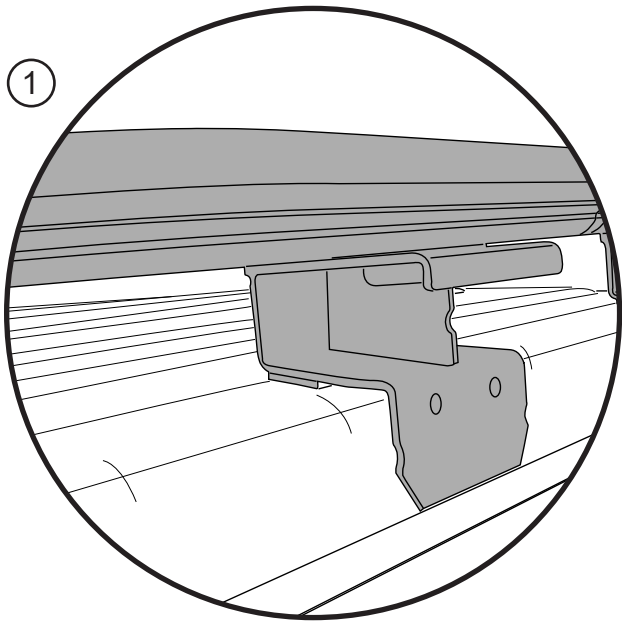
M6 x 20mm Hex Bolt
Part # 3002519
Qty 4



M6 Flat Washer
Part # 3000238
Qty 8



M6 Hex Nut
Part # 3001471
Qty 8

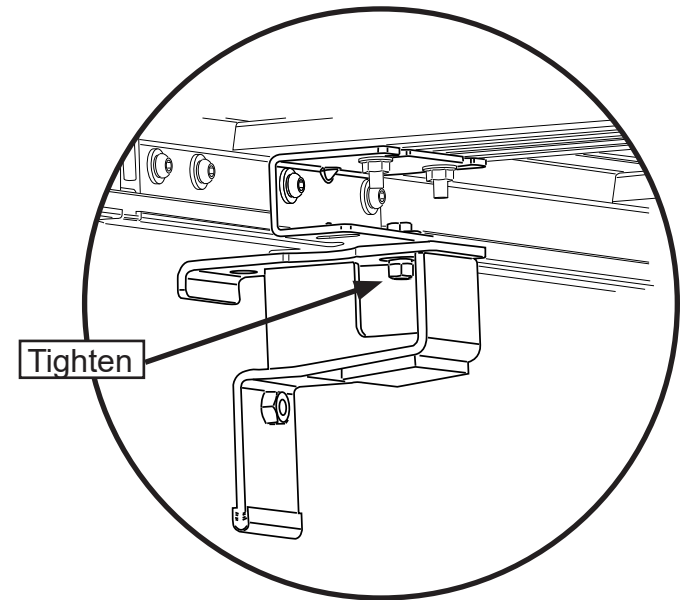


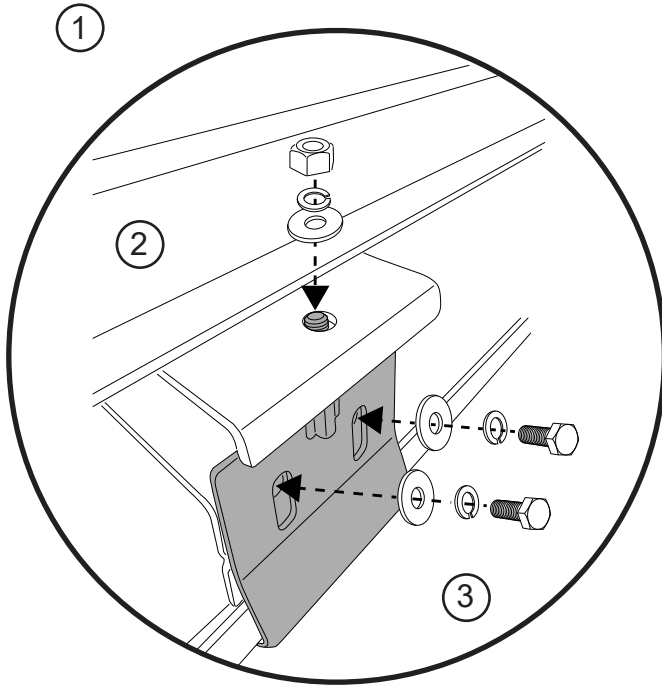
- ① With Help, Turn the Rack back over and place it on the vehicle. Make sure the end of the bracket with the Rubber Strip in the drip rail of the hardtop.
- ② Make sure the front edge of the Roof Rack is 12 3/4 inches from the front side edge of the hard top.
- ③ Center the rack (Side to Side) then tighten the M6 nuts on the T-Bolts and the M6 Nuts and Bolts on the Center Mounting Brackets.

Tools

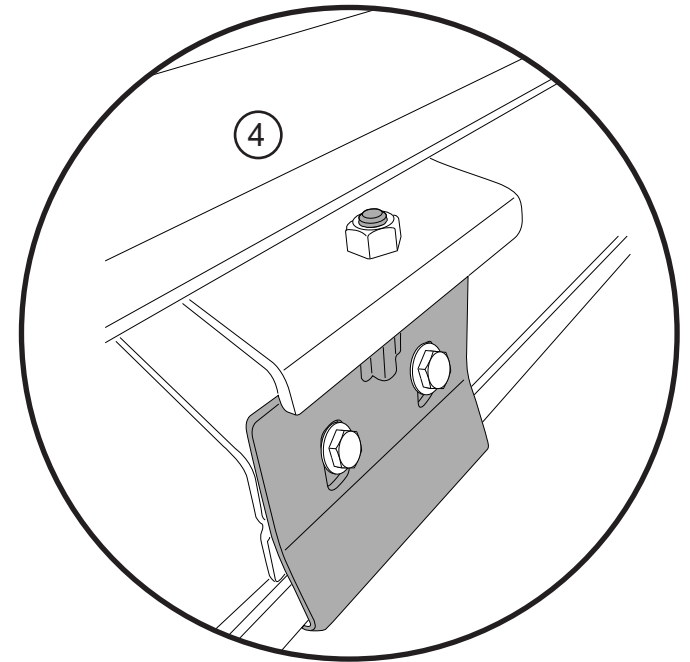
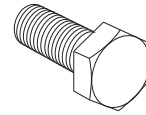
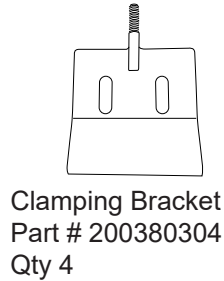


10mm Wrench





Hardware



① Place the Clamping Bracket onto the Mounting Bracket with the hook of the Clamping bracket under the drip rail of the hardtop, with the stud going through the top hole in the Mounting Bracket.

② Loosely place an M8 flat washer, M8 Split washer and M8 Nut on the stud of the Clamping Bracket.

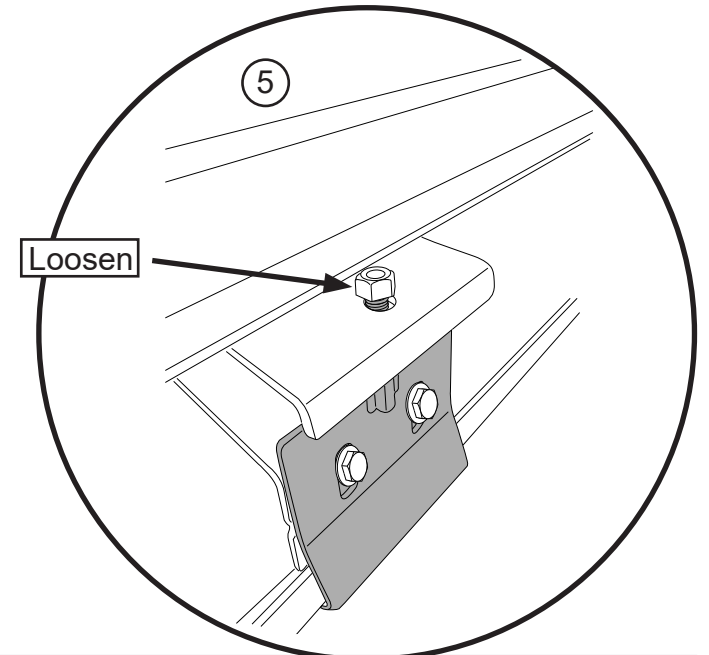
③ Loosely place two M8 flat washers, M8 Split washers and M8 x 25mm Bolts through the slots in the Clamping Bracket.

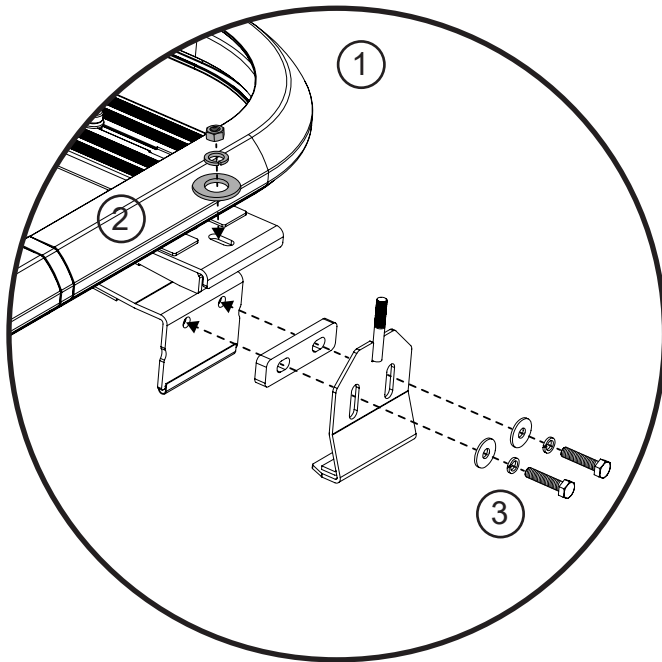
④ Tighten the M8 Nut on the top of the Clamping Bracket then tighten the M8 x 25mm Bolts.

⑤ Loosen the M8 Nut from the Clamping Brackets.

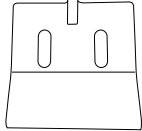
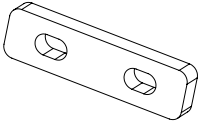

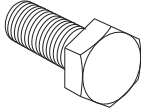


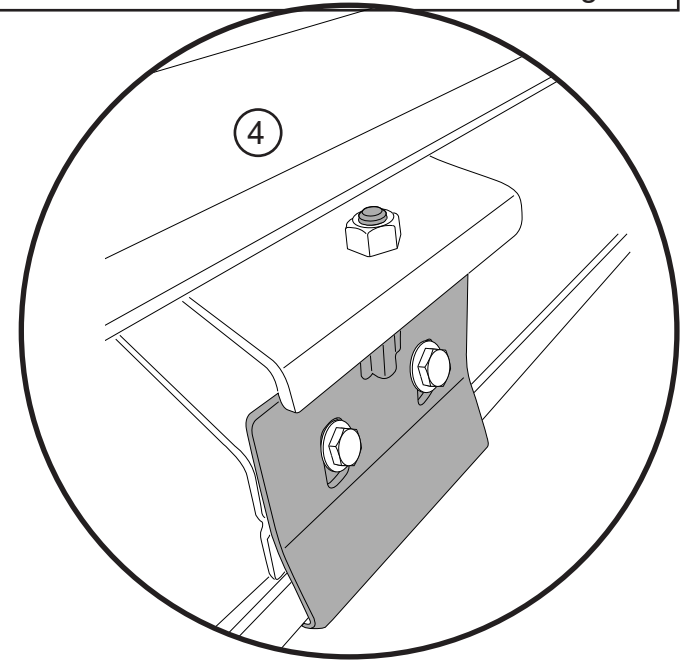
Tools





Hardware

-  Clamping Bracket
Part # 200380304
Qty 4
-  Spacer
Part # 200415823
Qty 2
-  *M8 Nut
Part # 3001481
Qty 2
-  Bolt M8 X 35mm
Part # 3002609
Qty 4



- ① Place the Clamping Bracket and Spacer onto the Mounting Bracket with the hook of the Clamping bracket under the drip rail of the hardtop, with the stud going through the top hole in the Mounting Bracket.
- ② Loosely place an M8 flat washer, M8 Split washer and M8 Nut on the stud of the Clamping Bracket.
- ③ Loosely place two M8 flat washers, M8 Split washers and M8 x 35mm Bolts through the slots in the Clamping Bracket and Spacer.
- ④ Tighten the M8 Nut on the top of the Clamping Bracket then tighten the M8 x 25mm Bolts.
- ⑤ Loosen the M8 Nut from the Clamping Brackets.



M8 Flat Washer
Part # 3000238
Qty 6

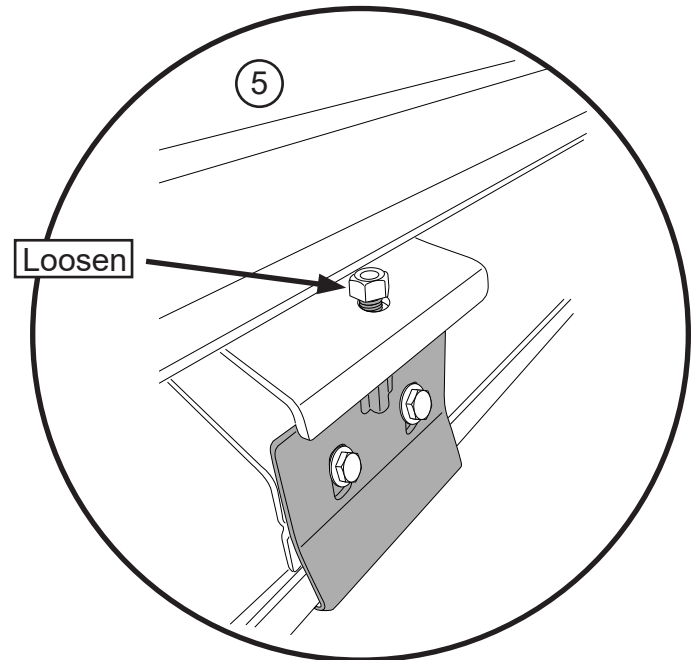


M8 Split Washer
Part # 300147
Qty 6

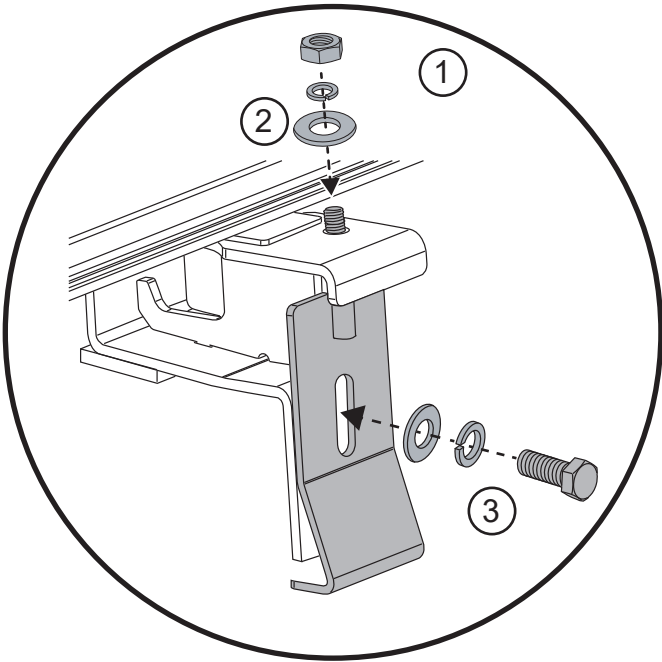
Tools



13mm Wrench



Hardware



① Place the Clamping Bracket and Spacer onto the Mounting Bracket with the hook of the Clamping bracket under the drip rail of the hardtop, with the stud going through the top hole in the Mounting Bracket.

② Loosely place an M8 flat washer, M8 Split washer and M8 Nut on the stud of the Clamping Bracket.

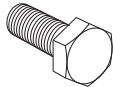
③ Loosely place a M8 flat washer, M8 Split washer and M8 x 35mm Bolt through the slots in the Clamping Bracket and Spacer.

④ Tighten the M8 Nut on the top of the Clamping Bracket then tighten the M8 x 25mm Bolt.

⑤ Loosen the M8 Nut from the Clamping Brackets.



Center Clamping Bracket
Part # 200367324
Qty 4



Hex 8mm x 25mm
Part # 3002591
Qty 1



*M8 Nut
Part # 3001481
Qty 1



M8 Split Washer
Part # 3000147
Qty 8

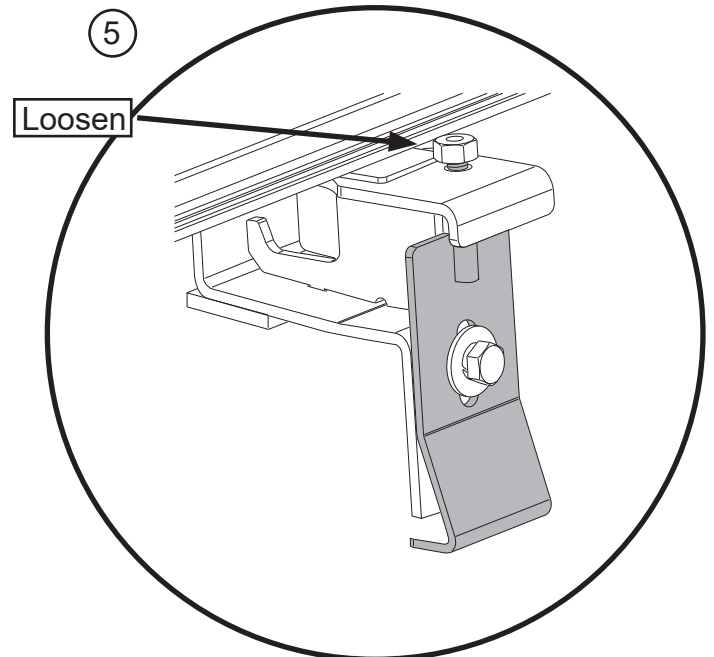
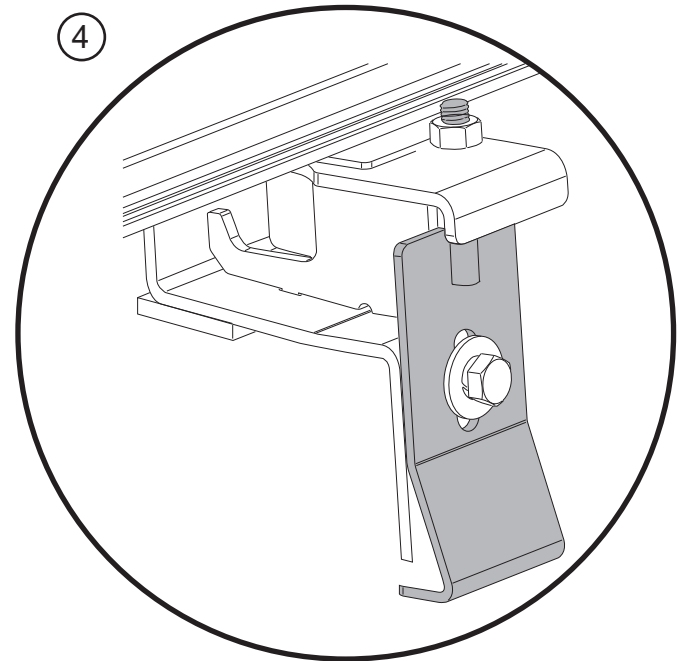


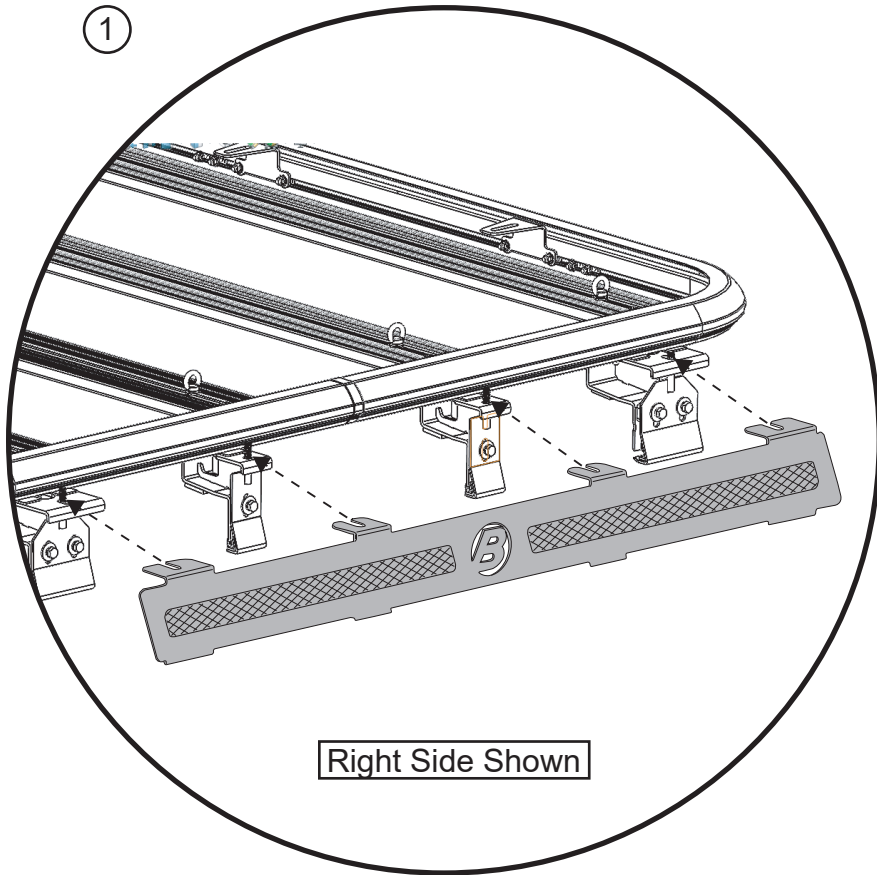
M8 Flat Washer
Part # 3000238
Qty 2

Tools



13mm Wrench

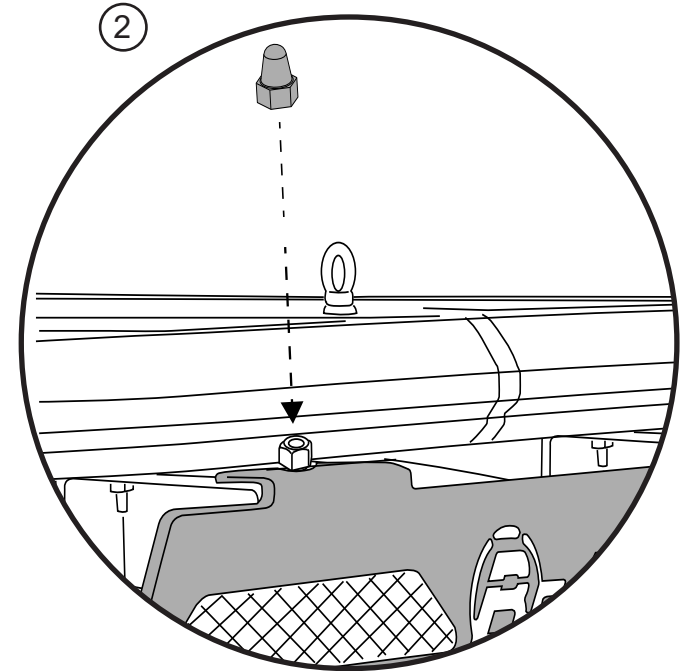




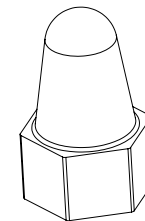
Tools



13mm Wrench



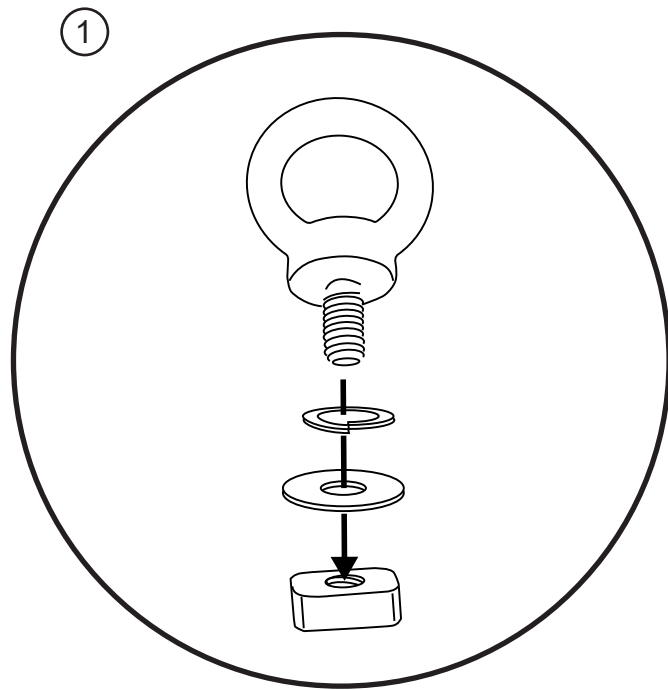
Hardware




M8 Plastic Nut
Part # 200415696
Qty 8



- ① Slide the Side Plate onto the Clamping Bracket studs under the M8 Flat Washers, M8 Split Washers and M8 Nuts.
- ② Secure The Side Plate with the M8 Lock Nuts used in Section 7 and 8 then put the M8 Rubber Nuts on top of the M8 Lock Nuts.

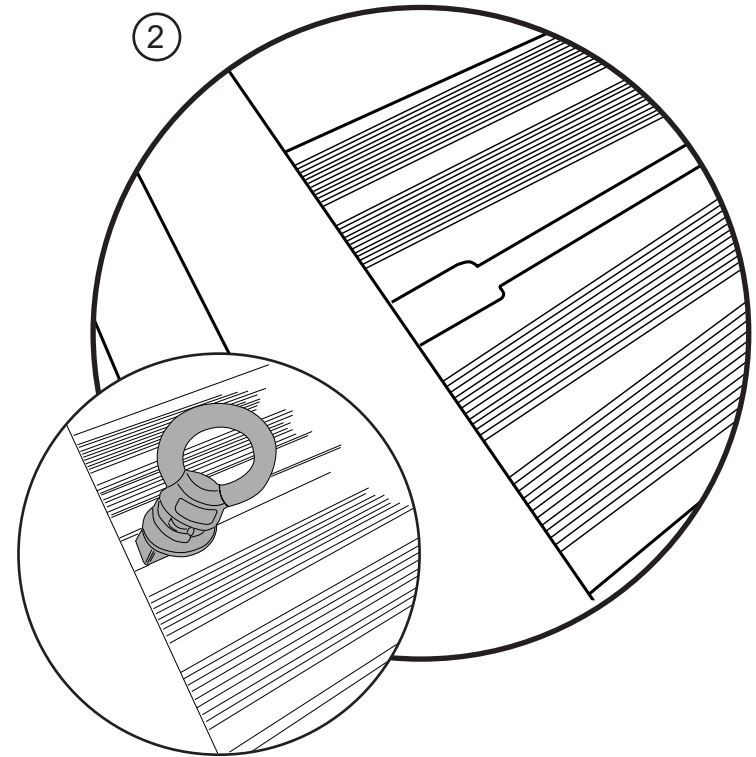
Repeat these steps on the Left side of the vehicle.



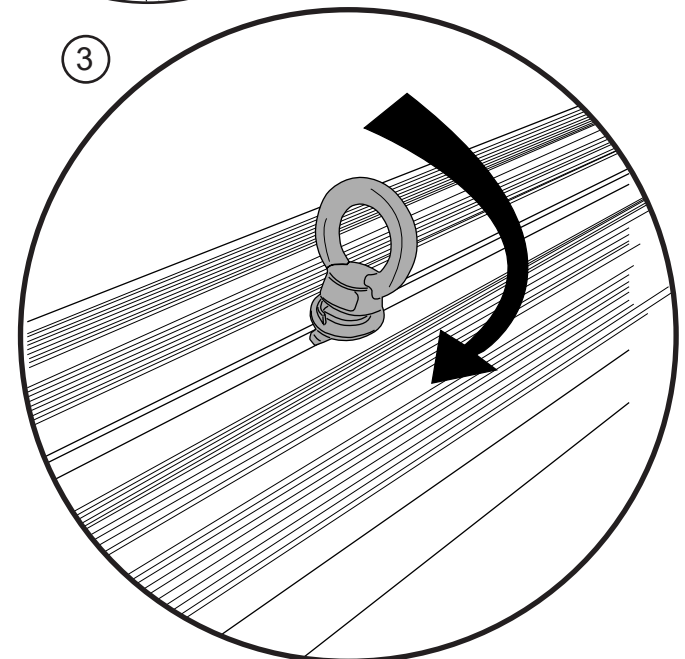
Hardware



 M6 Tie Down Ring Part # 200406748 Qty 8
 M6 Split Washer Part # 3000129 Qty 8



 M6 Flat Washer Part # 3000226 Qty 8
 M6 Nut Plate Part # 200389904 Qty 8



- ① Assemble the Tie Down Ring, M6 Split Washer, M6 Flat Washer and the M6 Nut Plate. Do not tighten.
- ② Place the M6 Nut Plate into the slot located at the outboard edge of the Cross Rails.
- ③ Slide the Tie Down Ring to the desired position then rotate it clockwise to tighten it.





Baja Designs

Recommended Upgrade



Baja Designs
S8 40 Inch LED Light Bar
SKU
704003



Warranty Information

Vehicle Application:
Jeep® JL Wrangler Unlimited 2018- Current,
Part Number 41471

WHAT BESTOP WARRANTS

Subject to the terms and conditions of sale, including any terms and conditions set forth by Bestop, Inc. (“Bestop” or “us” or “we”) in our then-current terms of sale on our website (collectively, the “Terms”), Bestop represents and warrants that: the covered products listed in the “Covered Products and Warranty Periods” section (a “Product”) will substantially be free from defects in materials and workmanship for the specified warranty periods set forth in that section.

THE WARRANTY IS LIMITED AND CONDITIONAL

This warranty applies to the original purchaser of the Product only. The warranty is valid only as long as the original retail purchaser owns the vehicle upon which the Product is installed. The warranty expires should the Product be removed from the original vehicle or if the original vehicle is transferred to another owner. This warranty is not transferable or assignable. The warranty does not apply to Product bought from auction-style or price-bid websites.

THE LIMITED WARRANTY AND STATED REMEDIES ARE SOLE AND EXCLUSIVE AND IN LIEU OF ALL OTHER WARRANTIES AND REMEDIES, AND COMPANY EXPRESSLY DISCLAIMS ALL IMPLIED OR STATUTORY OR OTHER WARRANTIES, INCLUDING WITHOUT LIMITATIONS WARRANTIES OF MERCHANTABILITY, NON-INFRINGEMENT OR FITNESS FOR A PARTICULAR PURPOSE. IN NO EVENT WILL COMPANY BE LIABLE FOR ANY SPECIAL, INCIDENTAL, CONSEQUENTIAL, PUNITIVE, INDIRECT OR EXEMPLARY DAMAGES OF ANY KIND, INCLUDING LOST PROFITS OR REVENUE, HOWEVER CAUSED, WHETHER FOR BREACH OR REPUDIATION OF CONTRACT, TORT, BREACH OF WARRANTY, NEGLIGENCE, OR OTHERWISE, WHETHER OR NOT COMPANY WAS ADVISED OF THE POSSIBILITY OF SUCH LOSS OR DAMAGES. Some states do not allow exclusion or limitation, so this may not apply to you. This warranty gives you specific legal rights, and you may have other rights which vary from state to state.

EXCLUSIONS TO THE WARRANTY

The Limited Warranty excludes, and Bestop is not liable in any way for any warranty claims, damages, or defects related to:

- Misuse, abuse, accidents, vandalism, negligence, fire, or improper installation or modification, or improper or inadequate maintenance;
- Failure to comply with any Product documentation, Bestop instructions, or applicable law or regulations; use in extreme conditions
- Force Majeure including but not limited to, earthquake, hurricane, tornado, flooding, or other disasters natural or man-made, civil unrest, strikes, declared or undeclared war, or lack of performance by, or discontinued product of, supply chain partners whose products, software, operations or management is beyond the control of Bestop;
- Damage resulting in breakage (including without limitation, spontaneous breakage, accidental breakage or breakage by any other means) of a Product or any component part;
- Damage to vinyl windows due to misuse, or cracking due to varying weather conditions.

YOUR SOLE REMEDY

During the applicable warranty period, Bestop shall, at its option, either repair or replace any Product that it confirms, in its discretion, is non-compliant with the warranties herein. Bestop will not pay for labor charges associated with installation or removal of the Product. Should a specific Product be discontinued, Bestop may, at its option, replace the discontinued Product with a current product or like product. If Bestop opts to repair or replace your Product as set forth herein, Bestop shall use reasonable efforts to match any patch or replacement to the color and texture of your existing Product. There is no guarantee however, that Bestop will be able to match the color or texture. If Bestop is not able to match the color or texture, it may provide you with a black or neutral colored patch replacement in its discretion.

Please retain your proof of purchase. Original proof of purchase for the Product must accompany any warranty claim. If you have a warranty claim, first you must email Bestop Customer Service at csbestop@bestop.com for instructions. All claims must be emailed to csbestop@bestop.com within 30 days of discovery of a defective Product, but in no event later than thirty days after the end of the applicable Warranty Period (the “Warranty Notice Period”). Warranty claims made after the Warranty Notice Period are null and void and Bestop shall have no responsibility with respect to such claims.

THIS SECTION SETS FORTH BESTOP’S SOLE OBLIGATION & YOUR SOLE REMEDY WITH RESPECT TO ANY DEFECTS OR OTHER PRODUCT ISSUE. ANY PRODUCTS REPLACED UNDER TERMS OF THIS WARRANTY WILL BE COVERED UNDER TERMS & BALANCE OF THE DURATION OF THE ORIGINAL LIMITED WARRANTY FOR SUCH PRODUCT.



Warranty Information

Vehicle Application:
Jeep® JL Wrangler Unlimited 2018- Current,
Part Number 41471

COVERED PRODUCTS AND WARRANTY PERIODS: The warranty time periods are as follows for Products manufactured by Bestop:

BESTOP® LIMITED LIFETIME WARRANTY

® Pro Twill Fabric Top Sunrider® for Hardtop Twill Fabric Top
Trektop® NX Glide Twill Fabric Top Replace-a-Top™ Twill Fabric Top
Trektop® NX Twill Fabric Top Supertop® NX Twill Fabric Top
EZFold™ Soft Tonneaus Floor & Cargo Liners
ZipRail™ Soft Tonneaus Pet Barriers
EZRoll™ Soft Tonneaus

BESTOP® 5-YEAR LIMITED WARRANTY

Trektop® NX Glide™ Top (non-Twill) Sunrider® for Hardtop (non-Twill) Replace-a-Top™ Top (non-Twill) Trektop® NX Top (non-Twill)
Sailcloth Replace-a-Top™ Supertop® NX Top (non-Twill)
Tigertop™ and Halftop™ Supertop® Classic Soft Top Sunrider® Complete Soft Top Supertop® for Truck
EZ Fold Hard Tonneau

BESTOP® 3-YEAR/100K MILES LIMITED WARRANTY

Powerboard® & Powerboard® NX
Trekstep®, Side Mount
Trekstep®, Rear Mount

BESTOP® 3-YEAR LIMITED WARRANTY

Pavement Ends Sprint Top

BESTOP® 2-YEAR LIMITED WARRANTY

Trektop® Classic Soft Top
RoughRider™ Soft Storage

BESTOP® 1-YEAR LIMITED WARRANTY

All other Bestop® & Pavement Ends™ products not specified above.

For further information or request for warranty work, please contact:

Bestop Inc. Customer Service

Toll-Free: (800)845-3567

E-mail: csbestop@Bestop.com

Website: www.Bestop.com