



**PERFORMER 5.0 INTAKE MANIFOLD**  
**For 1986-1995 Ford 5.0L V8 with EGR (Passenger Cars Only)**  
**Catalog #3821**

**INSTALLATION INSTRUCTIONS**

**PLEASE** study these instructions carefully before beginning this installation. Most installations can be accomplished with common tools and procedures. However, you should be familiar with and comfortable working on your vehicle. If you do not feel comfortable performing this installation, it is recommended to have the installation completed by a qualified mechanic. If you have any questions, please call our **Technical Hotline at: 1-800-416-8628**, 7:00 am - 5:00 pm, Pacific Standard Time, Monday through Friday or e-mail us at [Edelbrock@Edelbrock.com](mailto:Edelbrock@Edelbrock.com).

**IMPORTANT NOTE: Proper installation is the responsibility of the installer. Improper installation will void your warranty and may result in poor performance and engine or vehicle damage.**

**DESCRIPTION:** The Performer 5.0 intake manifold is designed for 1986-1995 5.0L Mustangs and passenger vehicles (will not fit trucks). It is ideally suited to street/strip applications with an RPM range of idle-5500 RPM. The manifold features a removable plenum cover allowing access to runners for modification if desired (not necessary for operation below 6000 rpm), and CNC port matched upper and lower manifolds for maximum flow efficiency. Manifold WILL NOT clear factory 1994-1995 Mustang strut tower brace. Use Edelbrock Strut Tower Brace #5225.

**KIT CONTENTS:**

- |  |  |
|--|--|
| <input type="checkbox"/> 1 Base-manifold                 | <input type="checkbox"/> 2 5/16"-18 x 1-1/2" hex head bolt |
| <input type="checkbox"/> 1 Upper manifold                | <input type="checkbox"/> 1 5/16" x 1-3/8" carb stud        |
| <input type="checkbox"/> 1 Plenum cover                  | <input type="checkbox"/> 4 5/16" x 1-1/2" carb stud        |
| <input type="checkbox"/> 1 Base-to-upper gasket          | <input type="checkbox"/> 5 5/16"-24 hex nuts               |
| <input type="checkbox"/> 1 Plenum cover gasket           | <input type="checkbox"/> 6 5/16" split lockwashers         |
| <input type="checkbox"/> 1 PCV valve baffle plate        | <input type="checkbox"/> 2 1/8 pipe to 3/8" hose fittings  |
| <input type="checkbox"/> 2 #12 drive screws              | <input type="checkbox"/> 2 1/8 pipe plugs                  |
| <input type="checkbox"/> 8 1/4"-20 x 1" Allen head bolts | <input type="checkbox"/> 2 3/8 pipe plugs                  |

**Emissions Systems:** This manifold is intended as a direct replacement for the factory intake manifold. All emissions related factory components are to be retained and functional. The manifold is, therefore, legal for street use in all 50 states, and no C.A.R.B. E.O. number is required. Check local laws for requirements.

**ACCESSORIES & INSTALLATION ITEMS:** Major recommendations are listed below. See our catalog for details. **To order a catalog, call (800) FUN-TEAM**, or visit [www.edelbrock.com](http://www.edelbrock.com).

**THROTTLE BODY RECOMMENDATIONS:**

APPLICATION	THROTTLE BODY	PARTS REQUIRED FOR INSTALLATION
<b>1986-1993</b>	3824 (65mm)	65mm EGR Plate #3827
	3825 (70mm)	70mm EGR Plate #3828
	3826 (75mm)	75mm EGR Plate #3829
<b>1994-1995</b>	3844 (65mm)	Throttle Body Adapter #3835 and Mustang EGR Supply Spacer #8025
	3845 (70mm)	Throttle Body Adapter #3835 and Mustang EGR Supply Spacer #8025
	3846 (75mm)	Throttle Body Adapter #3835 and Mustang EGR Supply Spacer #8025

**NOTES:** A 65mm throttle body is recommended for use with the Performer 5.0 intake manifold on otherwise stock engines, while a 70mm throttle body is recommended for most street/strip applications as a part of our Performer Power Package. 75mm throttle bodies should be used in higher horsepower applications (Port matching required). The air valve (throttle body) location is 0.50" forward and 0.30" higher than the stock location. If parts required for installation are unavailable locally, contact Edelbrock directly.

**CAMSHAFT AND HEADERS:** Performer Series manifolds are compatible with aftermarket camshafts and headers designed to work in the idle-5500 RPM range. Edelbrock has developed a dyno-matched, street-proven camshaft, Performer-Plus #3722 (For Mass-Air engines only), Tubular Exhaust Systems #6845, and Cat-Back exhaust system #5645 or #5646, which are suitable for use with the Performer 5.0 intake manifold on 1986 through 1993 Mustangs. Consult your dealer, Edelbrock catalog, or Edelbrock Technical Hotline for applications.

**CYLINDER HEADS:** Manifold should be used with modified or high performance cylinder heads to achieve full power potential. Edelbrock Performer 5.0L cylinder heads are fully assembled, ready to run cylinder heads that are designed to work with this intake manifold.

**GASKETS:** Do not use competition style intake gaskets for this street manifold. Due to material deterioration over time, internal leakage of vacuum, oil, and coolant may occur. Replacement plenum cover and manifold top to manifold bottom gaskets available as Edelbrock #3832. OEM Ford gaskets will not fit.

INTAKE MANIFOLD	REFERENCE	RECOMMENDED GASKET
3821	(None)	Edelbrock #7220 Port: 1.20" x 2.00", .060" Thickness

**NOTE: To ensure maximum performance and a proper seal, Edelbrock gaskets which are specifically designed and manufactured for use with Edelbrock parts must be used.**

#### PREP AND TUNING FOR POWER:

**NOTE:** Local emission laws must be checked for legality of any tuning or ignition changes.

1. Aftermarket ignition kits may be used with Performer series manifolds.
2. Use modified or high performance cylinder heads such as our Performer 5.0.
3. Installation of non-recommended aftermarket headers, camshafts or both with an Edelbrock Performer series manifold may require additional tuning.

#### INSTALLATION PROCEDURE

**Before Beginning:** This installation can be accomplished using common tools and procedures. However, you should have a basic knowledge of automotive repair and modification and be familiar with and comfortable working on your vehicle. If you do not feel comfortable working on your vehicle, it is recommended to have the installation completed by a qualified mechanic. Keeping a service manual for your specific vehicle on hand for reference is helpful.

**REMEMBER: WHEN WORKING AROUND GASOLINE, DO NOT SMOKE, and KEEP ALL OPEN FLAMES, SPARKS AND OTHER SOURCES OF IGNITION AWAY FROM THE WORK AREA. Failure to do so can result in a FIRE or EXPLOSION.**

#### REMOVAL:

1. Disconnect battery negative cable and drain cooling system.
2. Disconnect necessary electrical connections, control cables, linkages, vacuum hoses, ventilation hoses, and coolant hoses at throttle body and manifold. **Do not disconnect fuel lines unless absolutely necessary. Special tools and procedures are required to re-install fuel lines. See "FUEL LINE REMOVAL AND INSTALLATION".**
3. Remove distributor cap and spark plug wires as an assembly. Place reference mark on distributor for rotor alignment during re-assembly. Remove retaining bolt and distributor.
4. Remove cover plates, retaining bolts, upper intake manifold and gasket.
5. Remove accessory brackets attached to lower manifold. Remove heater tube assembly from lower manifold. Remove retaining bolts, lower manifold, gaskets, and seals.

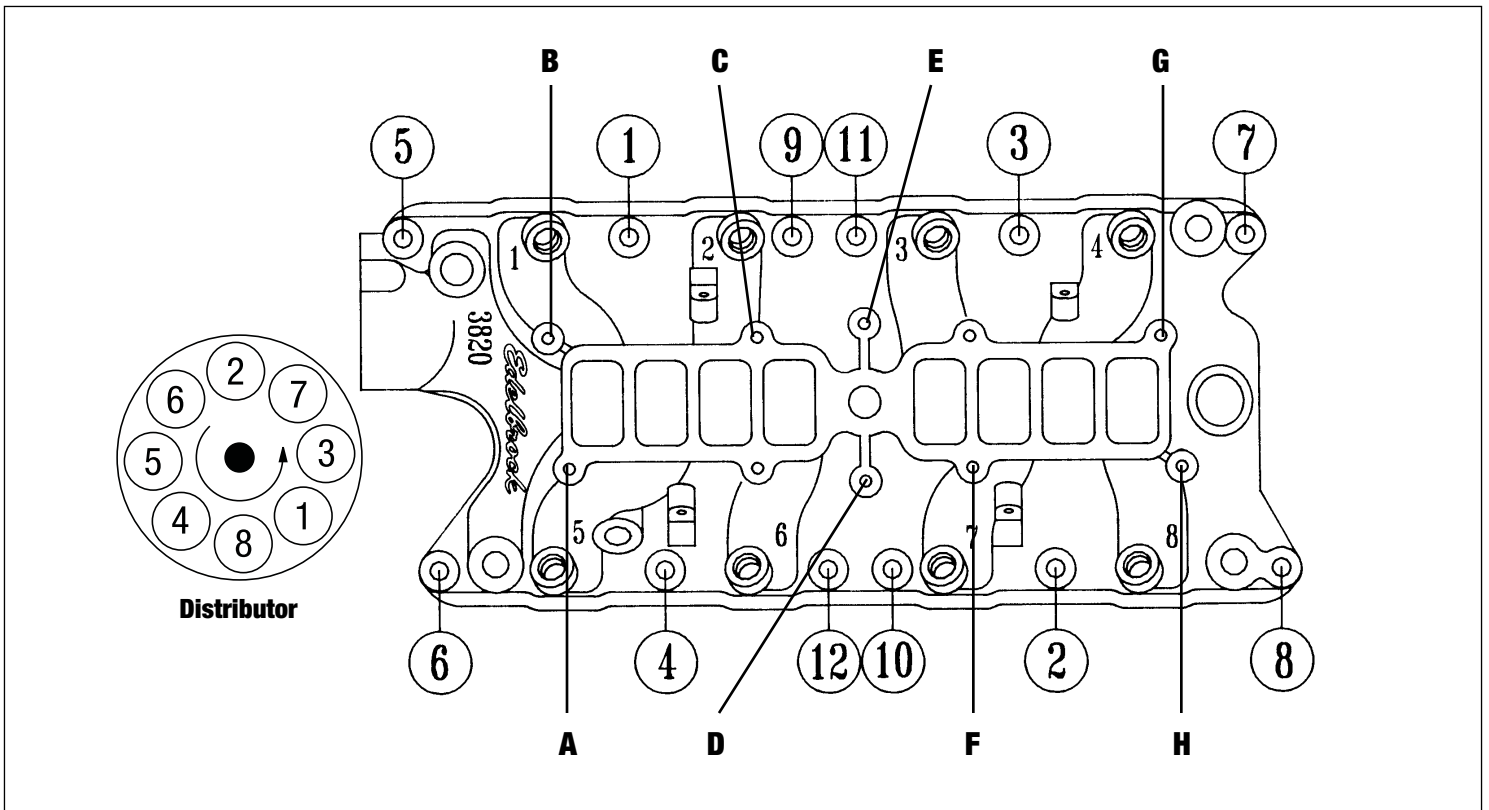
#### BAFFLE INSTALLATION

**IMPORTANT: PCV valve baffle must be installed before manifold is bolted to engine!**

1. Install PCV valve baffle on bottom of manifold using two-drive pins supplied. Hammer pin in the round hole first, then install other pin in the oval hole.

#### INSTALLATION

1. Clean all gasket surfaces. Apply Edelbrock Gasgacinch sealant, #9300 to the cylinder head side of the gasket as well as head surfaces. Allow to air-dry.
2. Apply a 1/8" bead of O2 sensor safe RTV silicone sealer at the junction of the cylinder head and engine block surface BEFORE gaskets are installed. Install intake manifold gaskets on head.
3. Eliminate the end seals. Use RTV silicone sealer instead (O2 Sensor Safe). Apply a bead of sealant approximately 1/4" high across the front and rear block end seal surfaces, overlapping the intake gasket at the four corners. This method eliminates end seal slippage and deterioration.
4. For ease of installation, we recommend using Edelbrock manifold bolt and washer kit #8524. It may be necessary to re-use the original stud bolt to hold heater tube bracket in hole #3 (**See Figure 1**).
5. Install lower intake manifold and retaining bolts. Tighten bolts to 15-18 ft./lbs. in sequence (**See Figure 1**).
6. If fuel rail and injectors were disconnected, install components with new O-rings on fuel lines. Use only specified fuel resistant brown O-rings. Lightly coat O-rings with clean O-ring lube (brake lube) before installing. Clean fittings and replace garter spring, if necessary.



**Figure 1 - Intake Manifold Tightening Sequence, Manifold Top-To-Bottom Fastener Locations, and Firing Order**

**Torque Bolts to 18-20 Ft./Lbs.**

**5.0L Ford Firing Order 1-3-7-2-6-5-4-8**

**Turn Distributor Clockwise to Advance Timing**

- Install upper manifold and gasket (dry) using hardware supplied (**See Figure 1 and Fastener Location Chart Below**). Upper manifold must be positioned so that the throttle body is on the passenger side of vehicle, not driver's side. Do not over-tighten manifold base-to-manifold upper fasteners. Use a short box or open end wrench only.

**NOTE:** The 1-1/2" hex bolt in position "D" must be installed from the inside of the upper manifold plenum. Use liquid thread locking compound on this bolt to prevent accidental loosening and engine damage.

LOCATION	FASTENER
<b>A</b>	5/16" x 1-3/8" Carb Stud
<b>B</b>	5/16" x 1-1/2" Carb Stud
<b>C</b>	5/16" x 1-1/2" Carb Stud
<b>D</b>	5/16"-18 x 1-1/2" Hex Head Bolt
<b>E</b>	Not Used
<b>F</b>	Not Used
<b>G</b>	5/16" x 1-1/2" Carb Stud
<b>H</b>	5/16" x 1-1/2" Carb Stud

**Fastener Location Chart**

- Install the plenum cover and gasket (dry) with the supplied Allen head bolts.
- Remove original throttle valve/EGR plate studs from stock manifold and install in new manifold. To re-install remaining components, reverse removal procedure. Adjust all control cables. If automatic transmission equipped using Edelbrock throttle body, refer to throttle body instructions for transmission T.V. (throttle valve) cable linkage adjustment. Fill cooling system with coolant. Connect battery negative cable.
- A re-torque of the manifold bolts is recommended after several operation cycles (start-up, bring to operating temperature, cool-down). Re-torque when engine is cold.

#### FUEL LINE REMOVAL AND INSTALLATION

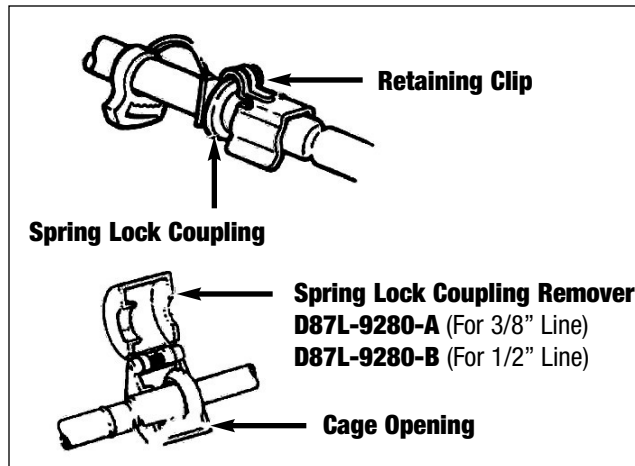
**CAUTION: Do not remove fuel lines unless necessary.**

**CAUTION: Fuel system is under pressure. Pressure must be released before servicing fuel system components.**

- Remove fuel cap to release fuel tank pressure. Using EFI pressure gauge (T80L-9974-B), release fuel pressure from fuel pressure relief on fuel rail.
- Before disconnecting fuel lines, disconnect negative battery cable. To disconnect fuel lines, remove retaining clip from outside of fuel line coupling.

3. Use Spring Lock Coupling Remover (D87L-9280-A) for 3/8" line or (9D87L-9280-B) for 1/2" line. Install spring lock coupling remover on fuel line so it enters cage opening (**See Figure 2**).
4. Push spring lock coupling remover into cage opening to release female fitting from garter spring. Pull couplings apart. Remove spring lock coupling remover.
5. To install fuel lines, install new O-rings on fuel lines. Use only specified fuel resistant brown O-rings. Before installing, lightly coat O-rings with clean O-ring lube (brake lube). Clean fittings and replace garter spring, if necessary.
6. Fit female fitting to male fitting and push until garter spring snaps over flared end of female fitting. Ensure lines are locked together and garter spring is over female fitting flared end.
7. Install retaining clip. Ensure horseshoe portion of clip is over coupling. **Do not** install retaining clip over rubber fuel line.

**NOTE:** **Black** retaining clip should be installed on fuel supply line and **Gray** clip on fuel return line.



**Figure 2 - Disconnecting Fuel Lines**



**Edelbrock Corporation • 2700 California St. • Torrance, CA 90503**  
**Tech-Line: 1-800-416-8628 • E-Mail: Edelbrock@Edelbrock.com**