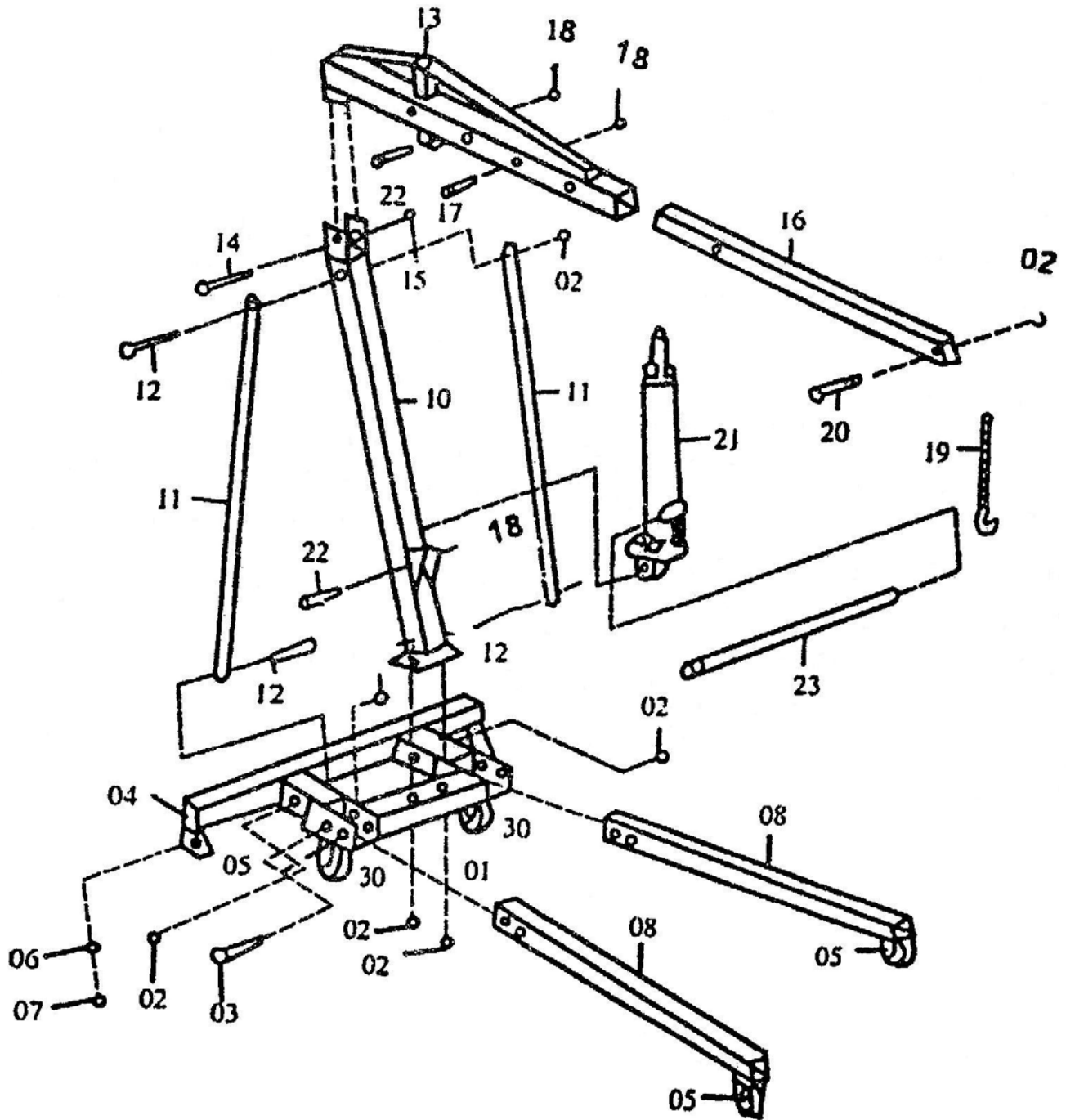


# Installation Instructions for 80045 Engine Hoist



**IMPORTANT NOTE**

SOME TIMES,DURING SHIPMENT AND HANDING,AIR GETS INTO THE HYDRAULIC SYSTEM CAUSING POOR LIFTING PERFORMANCE,PURGE AHY AIR FROM SYSTEM BY FULL OPENING RELEASE VALVE(TURN VALVE COUNTERCLOCKWISE) WHILE HOLDING END OF RAM CYLINDER DOWN,OPERATE PUMP HANDLE RAPIDLY SEVERAL TIME.

**PARTS LIST**

REF	DESCRIPTION	QTY
01	BASE	1
08	BASEEXTENSTIONS	2
10	POST	1
11	SUPPORTS	2
13	BOOM	1
16	BOOMEXTENSION	1
19	HOOK AND CHAIN	1
21	JACK(8000KG)	1
23	JACK HANDLE	1
30	SWIVEL WHEEL	2

**HARDWARELIST**

REF	DESCRIPTION	QTY
02	NUT(M14)	6
03	PIN(M16.110)	4
14	BOLT(M16.120)	1
15	NUT(M20)	1
17	BOLT(M16 90)	1
18	NUT(M16)	3
20	BOLY(M14 80)	1
22	BOLT(M16 75)	1
12	BLOT(M12.90)	3
05	SWIVEL UHEEL	2

**DO NOT EXCEED RATED LOAD CAPACITY**

**CHECK RAM AND PLUNGER EVERY 3 MONTHS FOR AHY SIGNS OF RUST OR CORRSION**

**CLEAN AS NEEDED AND WIPE WITH A CLEAN LIL CLOTH**

**WHEN NOT USEING,HOIST ALWAYS LEAVE RAM IN DOWM MOST POSITON**

**WHEN ADDING OR REPLACING OIL,ALWAYS USE A GOOD GRANE OF HYDRAULIC JACK OIL, AVOID MIXINGTYPES OF OIL.**

**DO NOT USE BRAKE FLUID ,ALCOHOL,CLYCERINE,DETERGENT,MOTOR OIL OR DIRTY OIL.**

**WHEN ADDING OIL,MUST BE VERY CAREFUL NOT TO PERMIT DIRT OR OTHER FOR EIGN MATTER TO GET INTO SYSTEM.**



**1-800-345-4545 [jegs.com](http://jegs.com)**