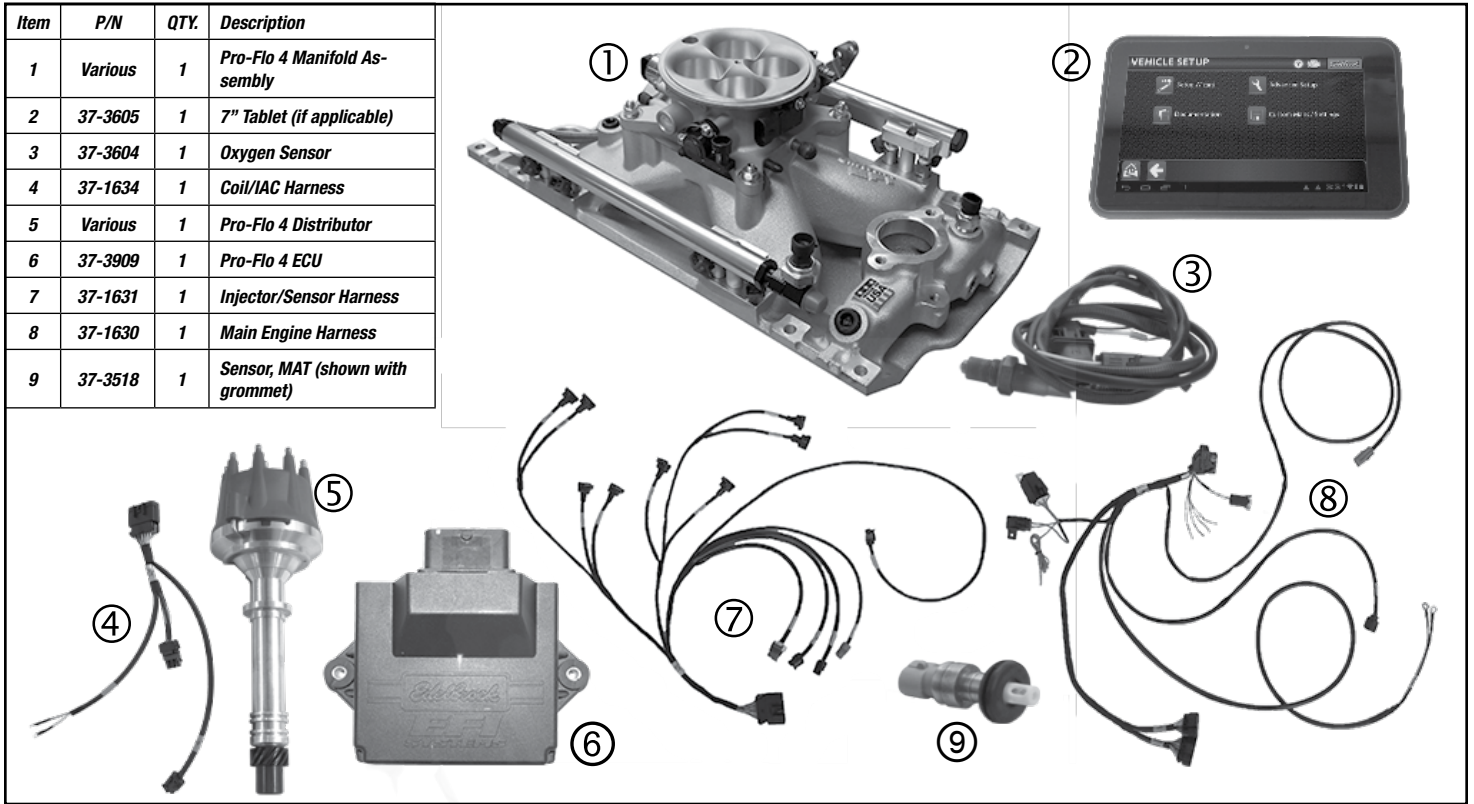


## PRIMARY KIT COMPONENTS (4150)

(Images are for reference only and may not represent actual components.)

Item	P/N	QTY.	Description
1	Various	1	Pro-Flo 4 Manifold Assembly
2	37-3605	1	7" Tablet (if applicable)
3	37-3604	1	Oxygen Sensor
4	37-1634	1	Coil/IAC Harness
5	Various	1	Pro-Flo 4 Distributor
6	37-3909	1	Pro-Flo 4 ECU
7	37-1631	1	Injector/Sensor Harness
8	37-1630	1	Main Engine Harness
9	37-3518	1	Sensor, MAT (shown with grommet)



## MAIN HARDWARE (4150)

(Images are for reference only and may not represent actual components.)

Item	P/N	QTY.	Description
1	36-3505	2	Sheet Metal Screw
2	38-0590	1	Throttle Return Spring Bracket
3	40-3970	1	1/2" to 3/8" Pipe Reducer
4	52-8097	1	Oxygen Sensor Bung Plug
5	52-9710	1	Oxygen Sensor Bung
6	74-4920	1	Throttle Return Spring
7	8016	1	Throttle Linkage Hardware
8	Various	2	Intake Manifold Gasket
9	37-1549	1	Car Charger w/USB Cable
10	78-2004	10	11" Tie Wraps

