

4

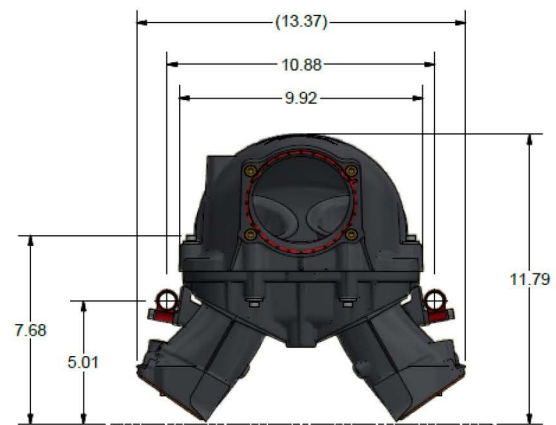
3

2

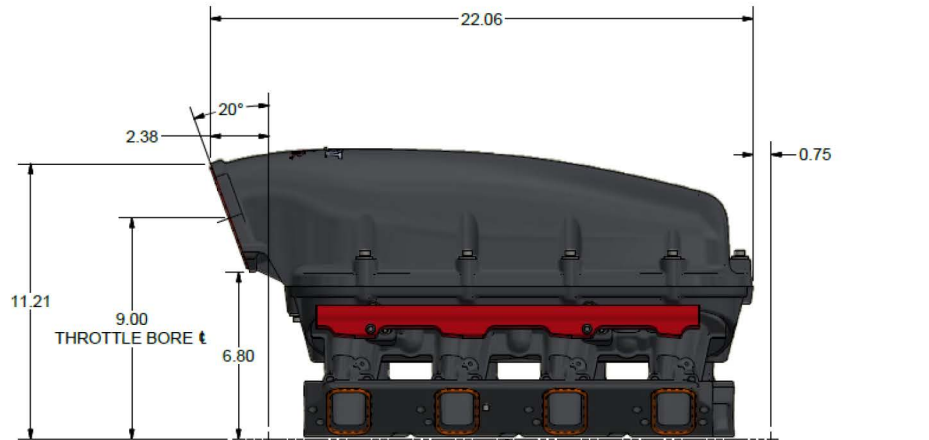
1

B

B



VALLEY COVER TOP



FRONT ENGINE BLOCK FACE

VALLEY COVER TOP

REAR ENGINE BLOCK FACE