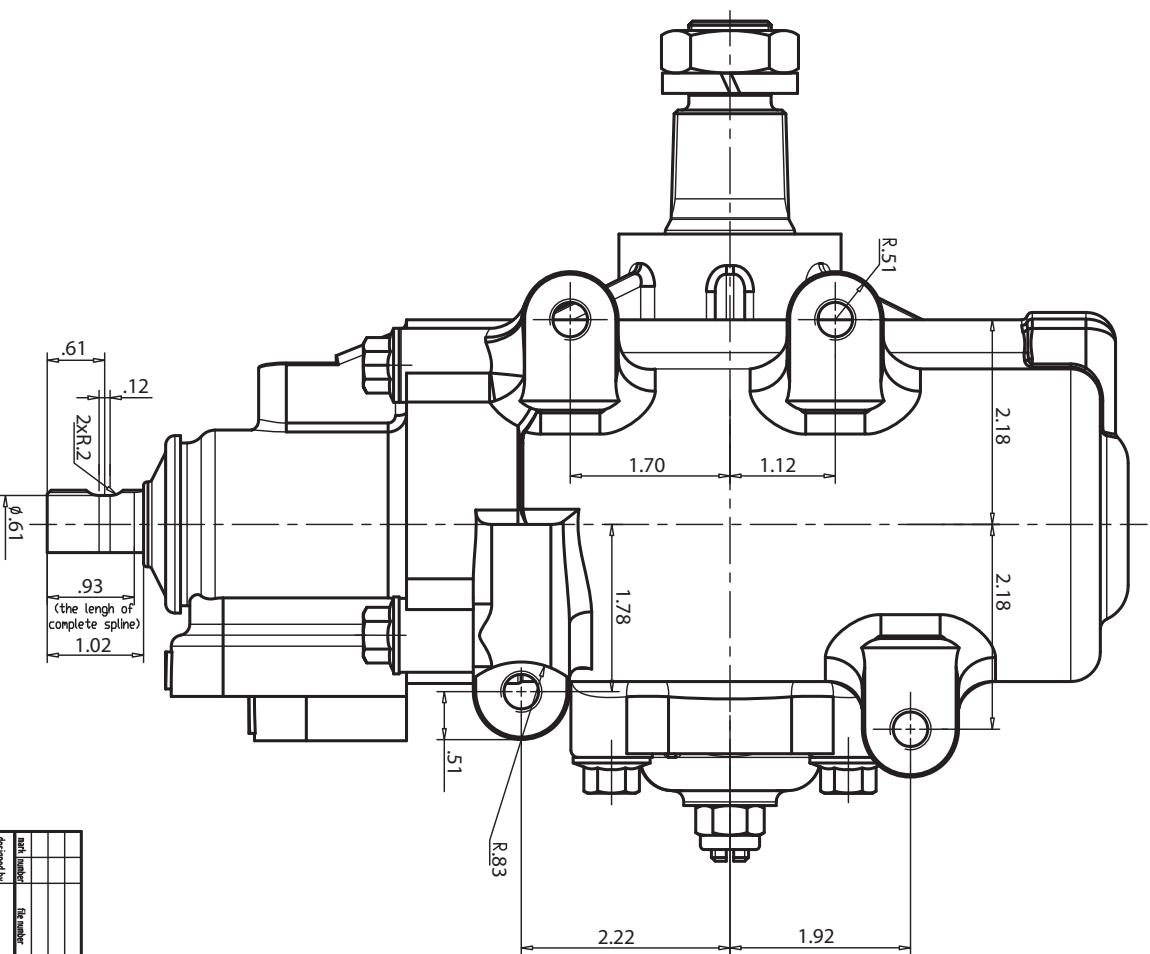
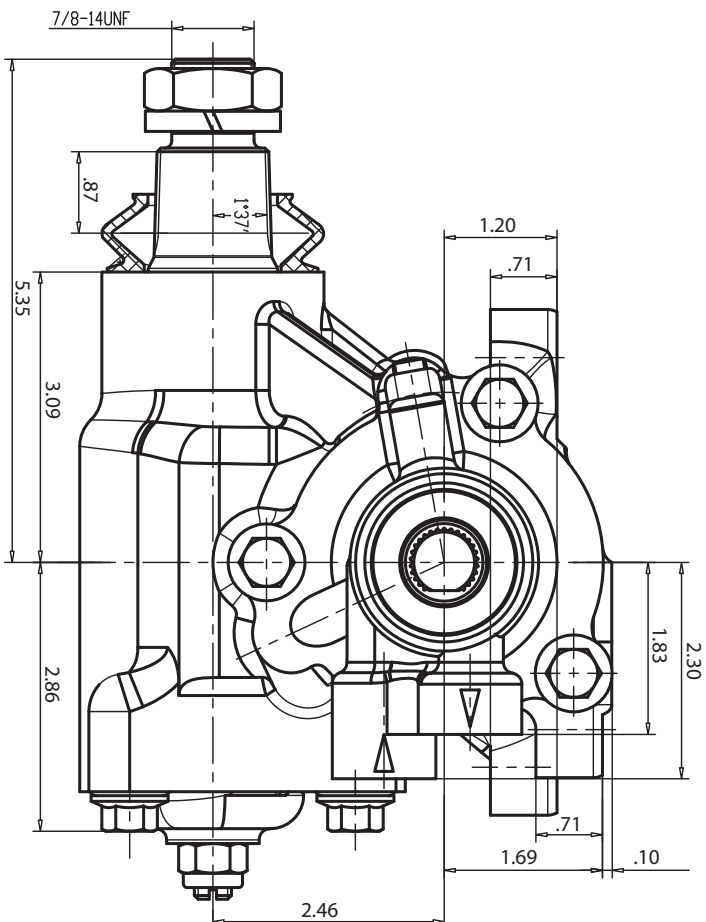


Output shaft rotates as indicated
when input shaft rotates clockwise



Part Number				
Rev. Number				
Design				
Date				
Power steering gear Install Drawing	800130			
pattern marking				
quantity				
weight				
Ratio				
Total pages			1	1:1
pages				