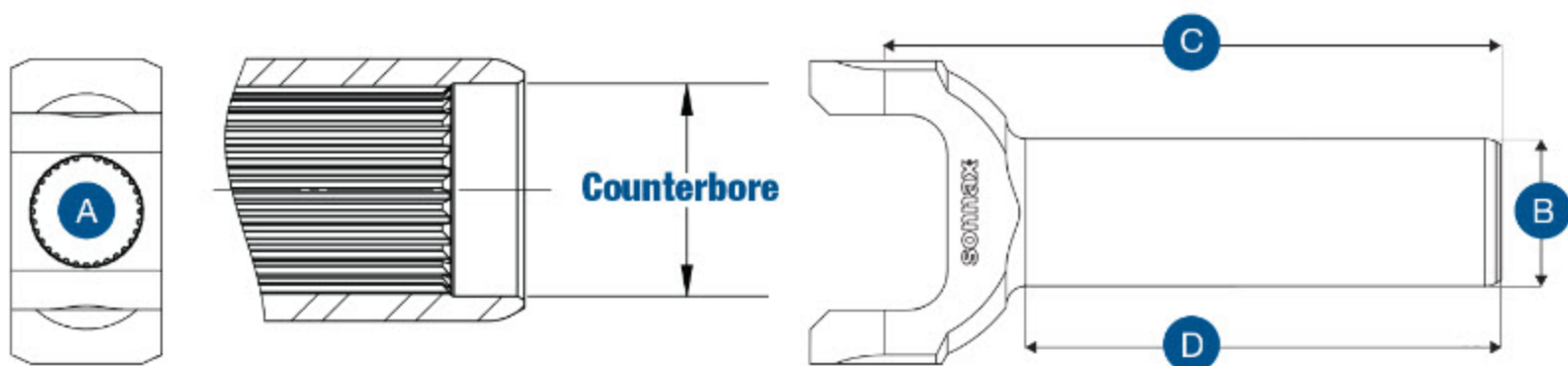


How to Measure a Slip Yoke

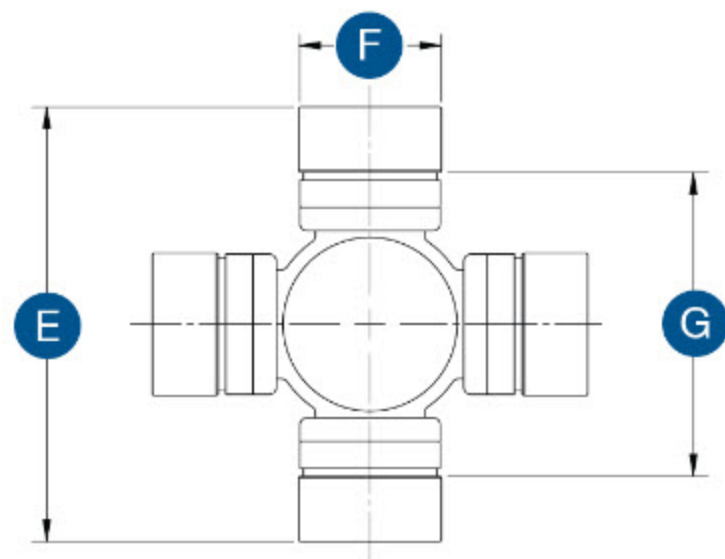
Some slip yokes have missing splines. To verify spline count, always count the splines on the transmission output shaft. A slip yoke counterbore is a short lead without spline in the end of the yoke.

- A. Spline Count
- B. Seal Dia.
- C. Length (Centerline to End)
- D. Barrel Length



How to Determine a U-joint Series

U-Joint Series	E U-Joint Width (inches)	F Cap Diameter (inches)
3R	2.562	1.125
1310	3.219	1.062
1330	3.622	1.062
1350	3.622	1.188
1410	4.188	1.188
1480	4.188	1.375
1485	4.178	1.375
1550/1555	4.964	1.375 outside snap rings



★ Measure the inside snap ring, indicated on the diagram as **G**.