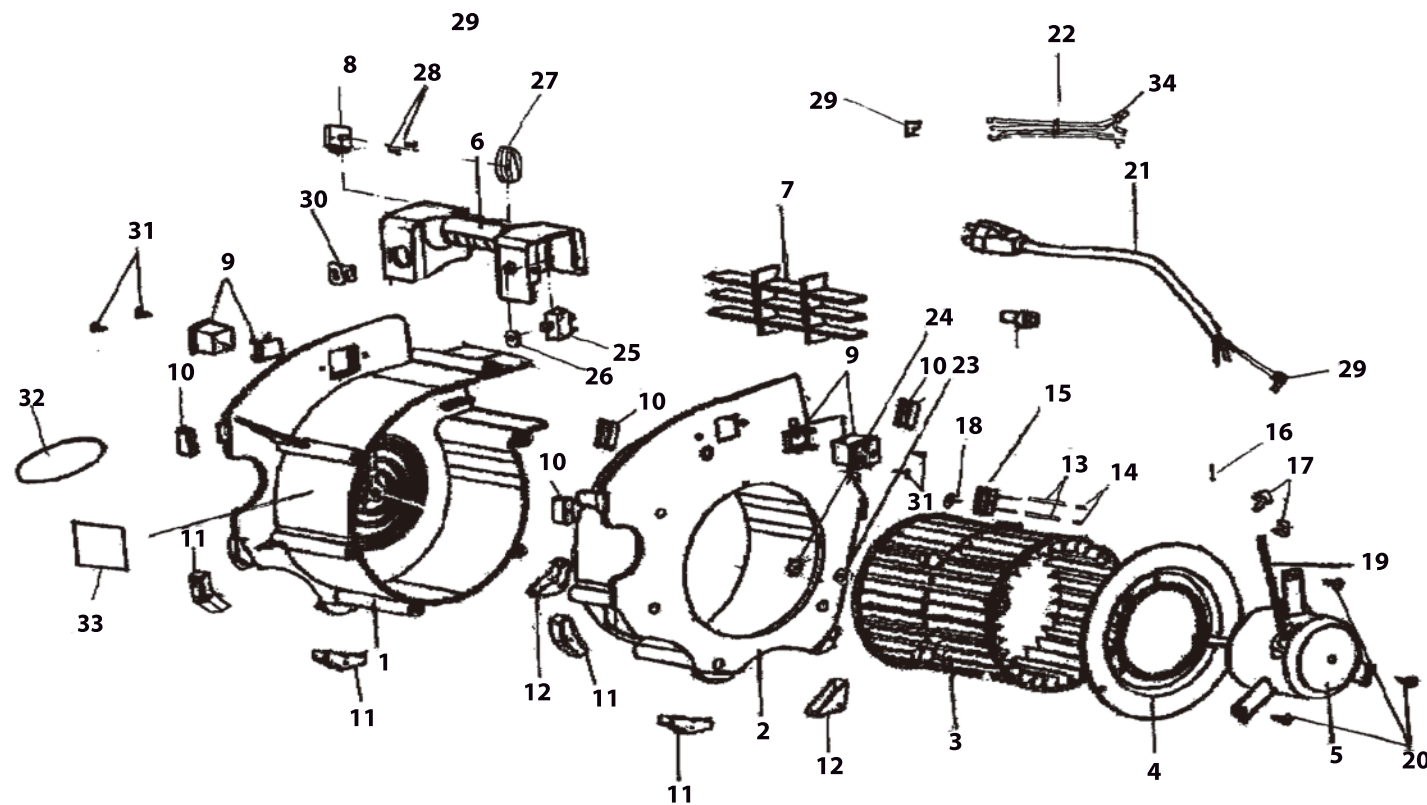




Model: **80890**

Product Type:
VARIABLE SPEED ELECTRIC BLOWER

VARIABLE SPEED ELECTRIC BLOWER



Parts List

INDEX NO.	Description	Qty	INDEX NO.	Description	Qty
1	Left Housing	1	18	Screw ST3.6 X 10	1
2	Right Housing	1	19	Rubber Washer	1
3	Fan	1	20	Screw ST4.6 X 10	3
4	Wind Shield	1	21	Power Cord	1
5	Motor	1	22	Connecting Wires	1
6	Handle	1	23	Washer Ø8	1
7	Grill	1	24	Nut M8	1
8	Switch	1	25	Circuit Breaker	1
9	Receptacle	2	26	Plastic Nut	1
10	Rubber Base A	4	27	Switch Knob	1
11	Rubber Base B	4	28	Strain Relief	1
12	Rubber Base C	2	29	Bolt M4 X 5	2
13	Tube	2	30	Strain Relief	2
14	Copper Tube	2	31	Screw ST3.6 X 8	4
15	Capacitor	1	32	Nameplate	1
16	Pin	1	33	Rating Label	1
17	90°Strain Relief	1	34	Leads Connector	3



Model: **80890**

Product Type:
VARIABLE SPEED ELECTRIC BLOWER

Foreseen Use of the Tool

Do not use the tool outside of the design intent.
Never modify the tool for any other purpose, or for its use.

Safety Precaution

Caution: To help prevent personal injury

- Normal use of this product is likely to expose the user to dust and/or microscopic particles containing chemicals known to the State of California to cause cancer, birth defects or other reproductive harm. Always wear appropriate safety equipment and clothing when using this product. Study, understand and follow all instructions provided with this product.
- Always wear ANSI approved goggles when using this product.
- Always select the correct accessories of the correct size and design for the job that you are attempting to perform.
- Always work in a clean, safe, well-lit, organized and adequately equipped area.
- Do not begin repairs without assurance that vehicle is in secure position, and will not move during repair.

PRODUCT INFORMATION:

- 3-speed Fan Switch
- Built-in overload protection
- Moves air up to 300 CFM
- 180W Power
- Heavy duty, industrial fan
- For indoor or outdoor use
- Energy Efficient 180 Watt under Low Setting
- Heavy Duty 3-Prong Plug with 14AWG x 3C Gauge Wire
- Heavy duty plastic housing
- Portable
- 10ft. Cord CSA approved
- Motor CSA approved
- Moving parts of motor and fan enclosed for safety of operation
- Plastic pads prevent scratching or damage to work surface and blower unit
- Sturdy handle
- (2) 110V AC outlets

VARIABLE SPEED ELECTRIC BLOWER



1 YEAR LIMITED WARRANTY

The manufacturer warrants this product to the original user against defective material or workmanship for a period of 1 year from the date of purchase.
The manufacturer reserves the right to determine whether the part or parts failed because of defective material, workmanship or other causes. Failures caused by accident, alteration or misuse are not covered by this warranty.
The manufacturer, at its discretion, will repair or replace products covered under this warranty free of charge. Repairs or replacements of products covered under this warranty are warranted for the remainder of the original warranty period.
The manufacturer or its authorized service representatives must perform all warranty repairs. Any repair to the product by unauthorized service representatives voids this warranty. The rights under this warranty are limited to the original user and may not be transferred to subsequent owners.
This warranty is in lieu of all other warranties, expressed or implied, including warranties of merchantability and fitness for a particular purpose. Some states do not allow the exclusion or limitations of incidental or consequential damages, so the above limitations may not apply to you.

Unpacking

When unpacking, check the parts diagram and part number listing on page 2 to make sure all parts are included. If any parts are missing or damaged, please call your distributor.

Important

Read these instructions carefully before installing, operating, servicing or repairing this tool. Keep these instructions in a safe accessible place.



WARNING



For Your Safety & To Prevent Injury

1. **ALWAYS** look over the work area prior to use. **NEVER** use near or in water. **DO NOT** use in damp or wet work areas.
2. **NEVER** use near flammable liquids or materials.
3. **DO NOT** restrict the flow of air to or from the unit, as you may cause damage to the unit.
4. **ALWAYS** wear safety glasses when operating the Big Chill Fan. In dusty areas use a dust mask or respirator, if necessary.
5. **ALWAYS** maintain power cord. **DO NOT** unplug the unit by pulling on the cord. **ALWAYS** check the power cord for damage prior to use.
6. **ALWAYS** secure the unit if using in an unstable environment.
7. **NEVER** place any tool or object into the air intake or discharge grill.
8. **ALWAYS** maintain the unit. For optimum performance keep the motor, air blower and blower wheel clean. See maintenance instructions for proper cleaning procedure.
9. **Always** disconnect the power cord prior to servicing and when not in use.
10. **ALWAYS** inspect the unit prior to use. Check the motor, air blower, power cord and housing of the unit for any possible damage, if any damage is found, repair the affected area prior to use.
11. **Never** use 15amp receptacle with a device rated higher than 15amp.
12. Failure to read and follow these warnings may result in serious injury.

MAINTENANCE PROCEDURES

1. **DO NOT** use lacquer thinner or other solvents to clean the Big Chill Fan.
2. **DO NOT** use abrasives like steel wool, or wire brushes to clean the Big Chill Fan.
3. **NEVER** use gasoline, mineral, spirits or other combustible liquids to clean the Big Chill Fan.
4. To properly clean and maintain the Big Chill Fan use **ONLY** plastic cleaner and/or polish.