

Installation Instructions for 62352 CO2 Shifter Kit for a Quarter Stick or the B&M Pro Stick

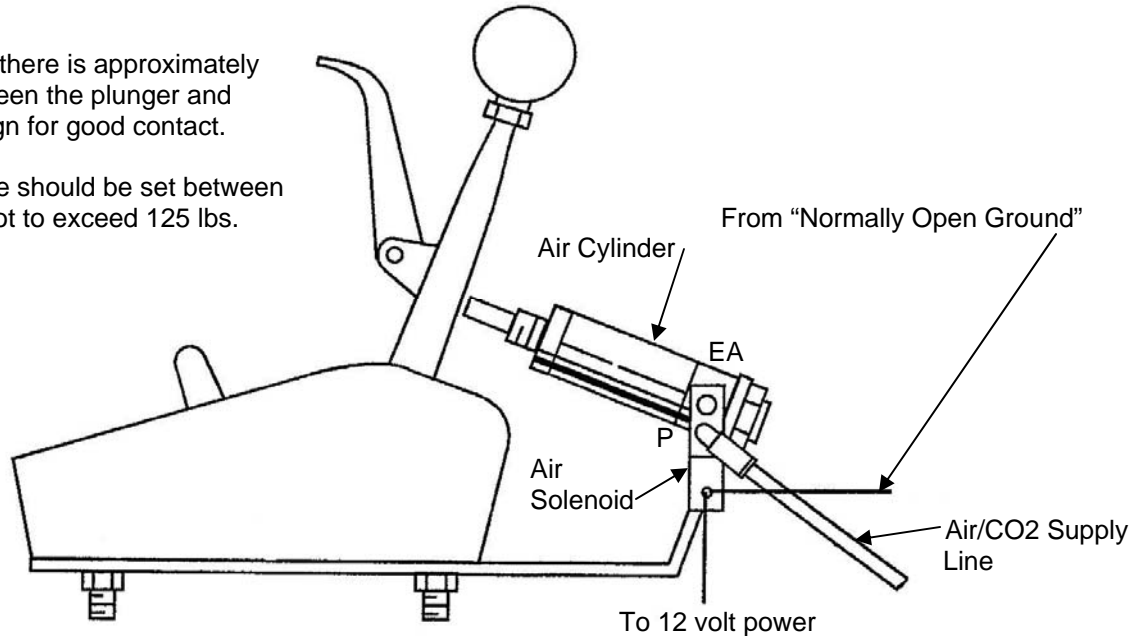
BE CAREFUL – DO NOT OVERTIGHTEN THE THREADED FITTINGS! Use a liquid Teflon thread sealing compound to avoid leaks and to guard against galling of threads.

WIRING FOR TIMERS OR RPM SWITCHES SUPPLYING “NORMALLY OPEN GROUND”

ADJUSTMENT:

Adjust bracket so there is approximately 1/16” to 1/8” between the plunger and shifter handle, align for good contact.

Air / CO2 pressure should be set between 60 and 100 lbs. not to exceed 125 lbs.



WIRING FOR TIMERS OR RPM SWITCHES SUPPLYING “NORMALLY OPEN +12V HOT”

