

# Installation Instructions for 157000, 157002, 157006, 157005 & 157010 Universal Throttle Cable

Please read instruction completely before beginning installation.

**Warning!** Do not attempt to install or adjust throttle cable while engine is running.

We recommend using an anti-seize lubricant on all aluminum nuts before final tightening.

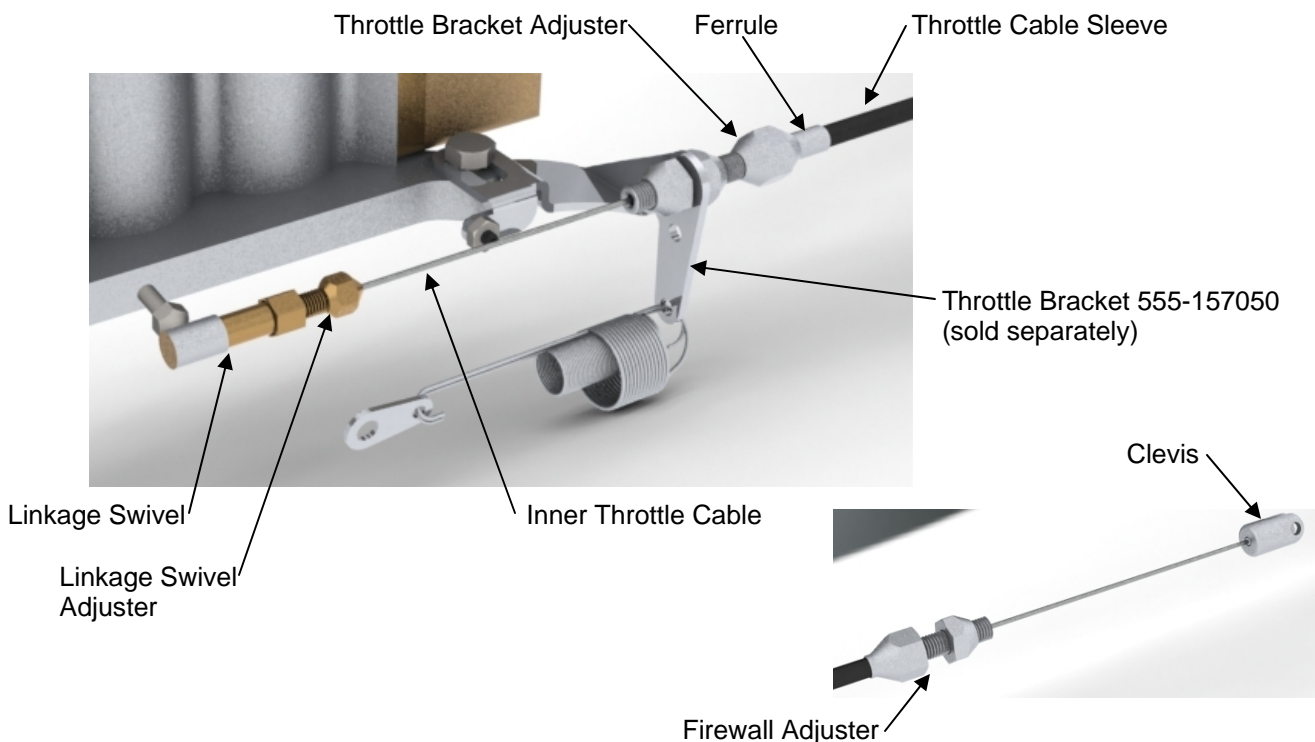
## Installation Instructions:

1. Install throttle pedal in desired location.
2. Disassemble the throttle cable assembly and remove the inner throttle cable from the throttle cable sleeve and clevis.
3. Install throttle cable clevis on pedal assembly.
4. Mount firewall adjuster inline with throttle cable clevis on the pedal assembly, or with the hole in factory-type pedal (Diameter of hole in firewall should be 5/16").
5. Install throttle cable bracket (not included) on carburetor and then install throttle bracket adjuster onto bracket.
6. Install linkage swivel onto carburetor linkage.
7. Measure the distance between the adjuster on the firewall and the adjuster on the throttle cable bracket, add 2" to this measurement and cut the throttle sleeve to length.

**NOTE:** Cable sleeve must not be straight between adjusters. You must allow for engine movement.

8. Install cable sleeve into adjuster at the firewall. Then install ferrule onto other end of cable sleeve, then install it into the adjuster at the throttle bracket.
9. Insert inner throttle cable removed in step 2 through pedal clevis, firewall adjuster, throttle cable sleeve and throttle bracket adjuster. Pull cable up past carburetor linkage swivel.
10. Mark cable at linkage swivel adjuster, add 1" to this measurement and cut cable.
11. Insert cable end into linkage swivel adjuster and lock with allen screw.
12. Take slack out of the cable with the adjusters.

**NOTE:** Check to be sure that there is no binding of the cable at both the throttle pedal and the carburetor before starting the engine or driving the car.



1-800-345-4545 [jeps.com](http://jeps.com)