

**SF**<sup>TM</sup>  
***STREET FIRE***

**DOMESTIC**

Application  
***GUIDE***

**[www.msdisignition.com](http://www.msdisignition.com)**

## BUICK

| YEAR    | MODEL      | ENGINE | ENG<br>VIN | COIL | DIST. | SF WIRE<br>SET |
|---------|------------|--------|------------|------|-------|----------------|
| 1985-86 | CENTURY    | 2.5 L4 | R          | 5526 |       |                |
| 1986    | CENTURY    | 2.8 V6 | X          | 5526 |       |                |
| 1977-80 | ELECTRA    | 5.7 V8 |            |      |       | 5560           |
| 1977-80 | RIVIERA    | 5.7 V8 | J          |      |       | 5560           |
| 1980-85 | RIVIERA    | 5.0 V8 | Y          |      |       | 5560           |
| 1991    | ROADMASTER | 5.0 V8 | E          | 5526 |       |                |
| 1992-93 | ROADMASTER | 5.7 V8 | 7          | 5526 |       |                |
| 1994-95 | ROADMASTER | 5.7 V8 | P          | 5526 |       |                |
| 1994-96 | ROADMASTER | 5.7 V8 | P          | 5526 |       |                |
| 1982-86 | SKYHAWK    | 1.8 L4 | G          | 5526 |       |                |
| 1983-87 | SKYHAWK    | 2.0 L4 | P          | 5526 |       |                |
| 1985    | SKYLARK    | 2.8 V6 | W          | 5526 |       |                |
| 1985-86 | SKYLARK    | 2.5 L4 | R          | 5526 |       |                |
| 1985-86 | SOMERSET   | 2.5 L4 | U          | 5526 |       |                |

## CADILLAC

| YEAR    | MODEL     | ENGINE | ENG<br>VIN | COIL | DIST. | SF WIRE<br>SET |
|---------|-----------|--------|------------|------|-------|----------------|
| 1985-86 | CIMARRON  | 2.0 L4 | P          | 5526 |       |                |
| 1985-86 | CIMARRON  | 2.8 V6 | W          | 5526 |       |                |
| 1979-80 | ELDORADO  | 5.7 V8 | B          |      |       | 5560           |
| 1990-95 | FLEETWOOD | 5.7 V8 | 7          | 5526 |       | 5570           |
| 1991-92 | FLEETWOOD | 5.0 V8 | E          | 5526 |       |                |
| 1976-78 | SEVILLE   | 5.7 V8 | R          |      |       | 5560           |
| 1979-80 | SEVILLE   | 5.7 V8 | B          |      |       | 5560           |

## CHEVROLET

| YEAR    | MODEL    | ENGINE    | ENG<br>VIN | COIL | DIST. | SF WIRE<br>SET |
|---------|----------|-----------|------------|------|-------|----------------|
| 1985-90 | ASTRO    | 2.5 L4    | E          | 5526 |       |                |
| 1986-95 | ASTRO    | 4.3 V6    | Z          | 5526 |       |                |
| 1961-65 | BEL AIR  | 409 CI V8 |            |      |       | 5561           |
| 1961-67 | BEL AIR  | 283 CI V8 |            |      |       | 5565 ✕         |
| 1962-69 | BEL AIR  | 327 CI V8 |            |      |       | 5565 ✕         |
| 1966-69 | BEL AIR  | 396 CI V8 |            |      |       | 5561           |
| 1966-69 | BEL AIR  | 427 CI V8 |            |      |       | 5561           |
| 1968    | BEL AIR  | 307 CI V8 | ME         |      |       | 5565 ✕         |
| 1969-74 | BEL AIR  | 350 CI V8 |            |      |       | 5565 ✕         |
| 1970-74 | BEL AIR  | 400 CI V8 |            |      |       | 5561           |
| 1970-74 | BEL AIR  | 454 CI V8 |            |      |       | 5561           |
| 1975    | BEL AIR  | 350 CI V8 | H          |      | 8362  | 5554           |
| 1975    | BEL AIR  | 400 CI V8 | U          |      | 8362  | 5561           |
| 1975    | BEL AIR  | 454 CI V8 | Y          |      | 8362  | 5560           |
| 1961-65 | BISCAYNE | 409 CI V8 |            |      |       | 5561           |
| 1961-67 | BISCAYNE | 283 CI V8 |            |      |       | 5565 ✕         |
| 1962-69 | BISCAYNE | 327 CI V8 |            |      |       | 5565 ✕         |
| 1966-69 | BISCAYNE | 396 CI V8 |            |      |       | 5561           |
| 1966-70 | BISCAYNE | 427 CI V8 |            |      |       | 5561           |
| 1968    | BISCAYNE | 307 CI V8 | ME         |      |       | 5565 ✕         |
| 1969-72 | BISCAYNE | 350 CI V8 |            |      |       | 5565 ✕         |
| 1970-72 | BISCAYNE | 400 CI V8 |            |      |       | 5561           |
| 1971-72 | BISCAYNE | 454 CI V8 |            |      |       | 5561           |
| 1969-73 | BLAZER   | 307 CI V8 | E          |      |       | 5565 ✕         |
| 1969-74 | BLAZER   | 350 CI V8 | E          |      |       | 5565 ✕         |

## CHEVROLET (continued)

| YEAR    | MODEL               | ENGINE    | ENG<br>VIN | COIL | DIST.  | SF WIRE<br>SET |
|---------|---------------------|-----------|------------|------|--------|----------------|
| 1973    | BLAZER              | 454 CI V8 | Z          |      |        | 5561           |
| 1975-79 | BLAZER              | 400 CI V8 | M          |      | 8362   | 5561           |
| 1975-80 | BLAZER              | 350 CI V8 | V          |      | 8362 ☉ | 5554           |
| 1976-78 | BLAZER              | 454 CI V8 | S          |      | 8362   | 5560           |
| 1977-80 | BLAZER              | 305 CI V8 | U          |      | 8362 ☉ | 5554           |
| 1981-82 | BLAZER              | 5.7 V8    | L          |      | 8362 ☉ | 5554           |
| 1981-85 | BLAZER              | 5.0 V8    | F          |      | 8362 ☉ | 5554           |
| 1983-85 | BLAZER              | 5.7 V8    | L          |      | 8362 ☉ | 5568           |
| 1986    | BLAZER              | 5.0 V8    | H          |      | 8362 ☉ | 5562           |
| 1986    | BLAZER              | 5.7 V8    | L          |      | 8362 ☉ | 5562           |
| 1987    | BLAZER              | 5.0 V8    | H          | 5526 |        | 5562           |
| 1987-94 | BLAZER              | 5.7 V8    | K          | 5526 |        | 5562           |
| 1995    | BLAZER (S10 SERIES) | 4.3 V6    | W          | 5526 |        |                |
| 1969-72 | BROOKWOOD           | 350 CI V8 |            |      |        | 5565           |
| 1970-72 | BROOKWOOD           | 400 CI V8 |            |      |        | 5561           |
| 1961-67 | C10 PICKUP          | 283 CI V8 |            |      |        | 5565 ✕         |
| 1962-68 | C10 PICKUP          | 327 CI V8 |            |      |        | 5565 ✕         |
| 1968-69 | C10 PICKUP          | 396 CI V8 | E          |      |        | 5561           |
| 1968-73 | C10 PICKUP          | 307 CI V8 | E          |      |        | 5565 ✕         |
| 1969-74 | C10 PICKUP          | 350 CI V8 | E          |      |        | 5565 ✕         |
| 1970-72 | C10 PICKUP          | 400 CI V8 | E          |      |        | 5561           |
| 1973-74 | C10 PICKUP          | 454 CI V8 | Z          |      |        | 5561           |
| 1975-80 | C10 PICKUP          | 350 CI V8 | V          |      | 8362 ☉ | 5554           |
| 1975-80 | C10 PICKUP          | 454 CI V8 | Z          |      | 8362 ☉ | 5560           |
| 1976-80 | C10 PICKUP          | 305 CI V8 | Q          |      | 8362 ☉ | 5554           |
| 1976-80 | C10 PICKUP          | 400 CI V8 | U          |      | 8362 ☉ | 5561           |
| 1981-82 | C10 PICKUP          | 5.7 V8    | L          |      | 8362 ☉ | 5554           |
| 1981-86 | C10 PICKUP          | 5.0 V8    | F          |      | 8362 ☉ | 5554           |
| 1983-85 | C10 PICKUP          | 5.7 V8    | L          |      | 8362 ☉ | 5568           |
| 1986    | C10 PICKUP          | 4.3 V6    | N          | 5526 |        |                |
| 1986    | C10 PICKUP          | 5.7 V8    | L          |      | 8362 ☉ | 5562           |
| 1968    | C10 SUBURBAN        | 327 CI V8 | E          |      |        | 5565 ✕         |
| 1968-69 | C10 SUBURBAN        | 396 CI V8 | E          |      |        | 5561           |
| 1968-73 | C10 SUBURBAN        | 307 CI V8 | E          |      |        | 5565 ✕         |
| 1969-74 | C10 SUBURBAN        | 350 CI V8 | E          |      |        | 5565 ✕         |
| 1970-72 | C10 SUBURBAN        | 400 CI V8 | E          |      |        | 5561           |
| 1973-74 | C10 SUBURBAN        | 454 CI V8 | Z          |      |        | 5561           |
| 1975-80 | C10 SUBURBAN        | 350 CI V8 | V          |      | 8362 ☉ | 5554           |
| 1975-80 | C10 SUBURBAN        | 454 CI V8 | Z          |      | 8362 ☉ | 5560           |
| 1976-80 | C10 SUBURBAN        | 305 CI V8 | Q          |      | 8362 ☉ | 5554           |
| 1981-82 | C10 SUBURBAN        | 5.7 V8    | L          |      | 8362 ☉ | 5554           |
| 1981-85 | C10 SUBURBAN        | 5.0 V8    | F          |      | 8362 ☉ | 5554           |
| 1983-85 | C10 SUBURBAN        | 5.7 V8    | L          |      | 8362 ☉ | 5568           |
| 1986    | C10 SUBURBAN        | 5.0 V8    | F          |      | 8362 ☉ | 5562           |
| 1986    | C10 SUBURBAN        | 5.7 V8    | L          |      | 8362 ☉ | 5562           |
| 1988-95 | C1500 PICKUP        | 4.3 V6    | Z          | 5526 |        |                |
| 1988-95 | C1500 PICKUP        | 5.0 V8    | H          | 5526 |        | 5562           |
| 1988-95 | C1500 PICKUP        | 5.7 V8    | K          | 5526 |        | 5562           |
| 1990-93 | C1500 PICKUP        | 7.4 V8    | N          | 5526 |        | 5571           |
| 1996-98 | C1500 PICKUP        | 4.3 V6    | W          | 5526 |        |                |
| 1992-95 | C1500 SUBURBAN      | 5.7 V8    | K          | 5526 |        | 5562           |
| 1961-67 | C20 PICKUP          | 283 CI V8 |            |      |        | 5565 ✕         |
| 1962-65 | C20 PICKUP          | 409 CI V8 |            |      |        | 5561           |
| 1962-68 | C20 PICKUP          | 327 CI V8 |            |      |        | 5565 ✕         |
| 1966    | C20 PICKUP          | 366 CI V8 |            |      |        | 5561           |
| 1968-69 | C20 PICKUP          | 396 CI V8 | E          |      |        | 5561           |

## CHEVROLET (continued)

| YEAR    | MODEL          | ENGINE    | ENG VIN | COIL | DIST.  | SF WIRE SET |
|---------|----------------|-----------|---------|------|--------|-------------|
| 1968-73 | C20 PICKUP     | 307 CI V8 | E       |      |        | 5565 ✕      |
| 1969-74 | C20 PICKUP     | 350 CI V8 | E       |      |        | 5565 ✕      |
| 1970-71 | C20 PICKUP     | 400 CI V8 | E       |      |        | 5561        |
| 1973-74 | C20 PICKUP     | 454 CI V8 | Z       |      |        | 5561        |
| 1975-80 | C20 PICKUP     | 350 CI V8 | V       |      | 8362 ☉ | 5554        |
| 1975-80 | C20 PICKUP     | 454 CI V8 | Z       |      | 8362 ☉ | 5560        |
| 1976-80 | C20 PICKUP     | 400 CI V8 | U       |      | 8362 ☉ | 5561        |
| 1977-80 | C20 PICKUP     | 305 CI V8 | U       |      | 8362 ☉ | 5554        |
| 1981-82 | C20 PICKUP     | 5.7 V8    | L       |      | 8362 ☉ | 5554        |
| 1981-85 | C20 PICKUP     | 5.0 V8    | H       |      | 8362 ☉ | 5554        |
| 1981-86 | C20 PICKUP     | 7.4 V8    | W       |      | 8362 ☉ | 5567        |
| 1983-85 | C20 PICKUP     | 5.7 V8    | L       |      | 8362 ☉ | 5568        |
| 1986    | C20 PICKUP     | 4.3 V6    | N       | 5526 |        |             |
| 1986    | C20 PICKUP     | 4.8 L6    | T       | 5526 |        |             |
| 1986    | C20 PICKUP     | 5.0 V8    | H       |      | 8362 ☉ | 5562        |
| 1986    | C20 PICKUP     | 5.7 V8    | L       |      | 8362 ☉ | 5562        |
| 1968    | C20 SUBURBAN   | 327 CI V8 | E       |      |        | 5565 ✕      |
| 1968-69 | C20 SUBURBAN   | 396 CI V8 | E       |      |        | 5561        |
| 1968-73 | C20 SUBURBAN   | 307 CI V8 | E       |      |        | 5565 ✕      |
| 1969-74 | C20 SUBURBAN   | 350 CI V8 | E       |      |        | 5565 ✕      |
| 1970-72 | C20 SUBURBAN   | 400 CI V8 | E       |      |        | 5561        |
| 1973-74 | C20 SUBURBAN   | 454 CI V8 | Z       |      |        | 5561        |
| 1975-76 | C20 SUBURBAN   | 454 CI V8 | Z       |      | 8362   | 5560        |
| 1975-80 | C20 SUBURBAN   | 350 CI V8 | V       |      | 8362 ☉ | 5554        |
| 1976-80 | C20 SUBURBAN   | 305 CI V8 | Q       |      | 8362 ☉ | 5554        |
| 1976-80 | C20 SUBURBAN   | 400 CI V8 | U       |      | 8362 ☉ | 5561        |
| 1977-80 | C20 SUBURBAN   | 454 CI V8 | S       |      | 8362 ☉ | 5567        |
| 1981-85 | C20 SUBURBAN   | 5.0 V8    | H       |      | 8362 ☉ | 5554        |
| 1981-85 | C20 SUBURBAN   | 5.7 V8    | L       |      | 8362 ☉ | 5554        |
| 1981-86 | C20 SUBURBAN   | 7.4 V8    | W       |      |        | 5567        |
| 1983-85 | C20 SUBURBAN   | 5.7 V8    | L       |      | 8362 ☉ | 5568        |
| 1986    | C20 SUBURBAN   | 4.8 L6    | T       | 5526 |        |             |
| 1986    | C20 SUBURBAN   | 5.0 V8    | H       |      | 8362 ☉ | 5562        |
| 1986    | C20 SUBURBAN   | 5.7 V8    | L       |      | 8362 ☉ | 5562        |
| 1988-95 | C2500 PICKUP   | 4.3 V6    | Z       | 5526 |        |             |
| 1988-95 | C2500 PICKUP   | 5.0 V8    | H       | 5526 |        | 5562        |
| 1988-95 | C2500 PICKUP   | 5.7 V8    | K       | 5526 |        | 5562        |
| 1991-95 | C2500 PICKUP   | 7.4 V8    | N       | 5526 |        | 5571        |
| 1992-95 | C2500 SUBURBAN | 5.7 V8    | K       | 5526 |        | 5562        |
| 1992-95 | C2500 SUBURBAN | 7.4 V8    | N       | 5526 |        | 5571        |
| 1961-67 | C30 PICKUP     | 283 CI V8 |         |      |        | 5565 ✕      |
| 1962-65 | C30 PICKUP     | 409 CI V8 |         |      |        | 5561        |
| 1962-68 | C30 PICKUP     | 327 CI V8 |         |      |        | 5565 ✕      |
| 1966    | C30 PICKUP     | 366 CI V8 |         |      |        | 5561        |
| 1968-69 | C30 PICKUP     | 396 CI V8 | E       |      |        | 5561        |
| 1968-73 | C30 PICKUP     | 307 CI V8 | E       |      |        | 5565 ✕      |
| 1969-74 | C30 PICKUP     | 350 CI V8 | E       |      |        | 5565 ✕      |
| 1970-71 | C30 PICKUP     | 400 CI V8 | E       |      |        | 5561        |
| 1973-74 | C30 PICKUP     | 454 CI V8 | Z       |      |        | 5561        |
| 1975-80 | C30 PICKUP     | 350 CI V8 | V       |      | 8362 ☉ | 5554        |
| 1975-80 | C30 PICKUP     | 454 CI V8 | Z       |      | 8362 ☉ | 5560        |
| 1976-79 | C30 PICKUP     | 400 CI V8 | U       |      | 8362   | 5561        |
| 1978-79 | C30 PICKUP     | 305 CI V8 | U       |      | 8362   | 5554        |
| 1981-85 | C30 PICKUP     | 5.7 V8    | M       |      | 8362 ☉ | 5554        |
| 1981-86 | C30 PICKUP     | 7.4 V8    | W       |      | 8362 ☉ | 5567        |
| 1986    | C30 PICKUP     | 4.8 L6    | T       | 5526 |        |             |

## CHEVROLET (continued)

| YEAR    | MODEL        | ENGINE    | ENG VIN | COIL | DIST.  | SF WIRE SET |
|---------|--------------|-----------|---------|------|--------|-------------|
| 1986    | C30 PICKUP   | 5.0 V8    | H       |      | 8362 ☉ | 5562        |
| 1986    | C30 PICKUP   | 5.7 V8    | M       |      | 8362 ☉ | 5562        |
| 1988-95 | C3500 PICKUP | 5.7 V8    | K       | 5526 |        | 5562        |
| 1988-95 | C3500 PICKUP | 7.4 V8    | N       | 5526 |        | 5571        |
| 1967    | CAMARO       | 302 CI V8 |         |      |        | 5565 ✕      |
| 1967-69 | CAMARO       | 327 CI V8 |         |      |        | 5565 ✕      |
| 1967-70 | CAMARO       | 396 CI V8 |         |      |        | 5561        |
| 1967-74 | CAMARO       | 350 CI V8 |         |      |        | 5565 ✕      |
| 1968-73 | CAMARO       | 307 CI V8 | MO      |      |        | 5565 ✕      |
| 1970-72 | CAMARO       | 400 CI V8 |         |      |        | 5561        |
| 1975-80 | CAMARO       | 350 CI V8 | H       |      | 8362 ☉ | 5554        |
| 1976-80 | CAMARO       | 305 CI V8 | Q       |      | 8362 ☉ | 5554        |
| 1980-81 | CAMARO       | 267 CI V8 | J       |      |        | 5568        |
| 1981    | CAMARO       | 5.7 V8    | L       |      | 8362 ☉ | 5554        |
| 1981-86 | CAMARO       | 5.0 V8    | H       |      | 8362 ☉ | 5554        |
| 1985-86 | CAMARO       | 2.5 L4    | 2       | 5526 |        |             |
| 1985-89 | CAMARO       | 2.8 V6    | S       | 5526 |        |             |
| 1987-92 | CAMARO       | 5.0 V8    | F       | 5526 |        | 5570        |
| 1987-92 | CAMARO       | 5.7 V8    | 8       | 5526 |        | 5570        |
| 1993-94 | CAMARO Z28   | 5.7 V8    | P       | 5526 |        |             |
| 1995    | CAMARO Z28   | 5.7 V8    | P       | 5526 |        |             |
| 1966-67 | CAPRICE      | 283 CI V8 |         |      |        | 5565 ✕      |
| 1966-69 | CAPRICE      | 327 CI V8 |         |      |        | 5565 ✕      |
| 1966-69 | CAPRICE      | 396 CI V8 |         |      |        | 5561        |
| 1966-69 | CAPRICE      | 427 CI V8 |         |      |        | 5561        |
| 1968    | CAPRICE      | 307 CI V8 | ME      |      |        | 5565 ✕      |
| 1969-74 | CAPRICE      | 350 CI V8 |         |      |        | 5565 ✕      |
| 1970-74 | CAPRICE      | 400 CI V8 |         |      |        | 5561        |
| 1970-74 | CAPRICE      | 454 CI V8 |         |      |        | 5561        |
| 1975-76 | CAPRICE      | 400 CI V8 | R       |      | 8362   | 5561        |
| 1975-76 | CAPRICE      | 454 CI V8 | Y       |      | 8362   | 5560        |
| 1975-80 | CAPRICE      | 350 CI V8 | H       |      | 8362 ☉ | 5554        |
| 1977-80 | CAPRICE      | 305 CI V8 | U       |      | 8362 ☉ | 5554        |
| 1980-82 | CAPRICE      | 267 CI V8 | J       |      |        | 5568        |
| 1981-86 | CAPRICE      | 5.0 V8    | H       |      | 8362 ☉ | 5554        |
| 1981-87 | CAPRICE      | 5.7 V8    | L       |      | 8362 ☉ | 5554        |
| 1986-93 | CAPRICE      | 4.3 V6    | Z       | 5526 |        |             |
| 198790  | CAPRICE      | 5.0 V8    | Y       |      |        | 5570        |
| 1987-93 | CAPRICE      | 5.0 V8    | H       | 5526 |        | 5570        |
| 1988-93 | CAPRICE      | 5.7 V8    | 6       | 5526 |        | 5570        |
| 1994    | CAPRICE      | 5.7 V8    | P       | 5526 |        |             |
| 1994-96 | CAPRICE      | 4.3 V8    | W       | 5526 |        |             |
| 1995-96 | CAPRICE      | 5.7 V8    | P       | 5526 |        |             |
| 1985-86 | CAVALIER     | 2.0 L4    | P       | 5526 |        |             |
| 1985-86 | CAVALIER     | 2.8 V6    | W       | 5526 |        |             |
| 1985-86 | CELEBRITY    | 2.5 L4    | R       | 5526 |        |             |
| 1985-86 | CELEBRITY    | 2.8 V6    | W       | 5526 |        |             |
| 1964-67 | CHEVELLE     | 283 CI V8 |         |      |        | 5565 ✕      |
| 1964-68 | CHEVELLE     | 327 CI V8 |         |      |        | 5565 ✕      |
| 1968-73 | CHEVELLE     | 307 CI V8 | ME      |      |        | 5565 ✕      |
| 1969-73 | CHEVELLE     | 350 CI V8 |         |      |        | 5565 ✕      |
| 1970-72 | CHEVELLE     | 400 CI V8 |         |      |        | 5561        |
| 1970-73 | CHEVELLE     | 454 CI V8 |         |      |        | 5561        |
| 1966-70 | CHEVELLE SS  | 396 CI V8 |         |      |        | 5561        |
| 1985-87 | CHEVETTE     | 1.6 L4    | C       | 5526 |        |             |
| 1962-67 | CHEVY II     | 283 CI V8 |         |      |        | 5565 ✕      |

☉ - Non Computer Controlled only

✕ - Wires Under Manf use 5564

## CHEVROLET (continued)

| YEAR    | MODEL         | ENGINE    | ENG VIN | COIL | DIST.  | SF WIRE SET |
|---------|---------------|-----------|---------|------|--------|-------------|
| 1965-68 | CHEVY II      | 327 CI V8 |         |      |        | 5565 ㄨ      |
| 1968-69 | CHEVY II Nova | 307 CI V8 | ME      |      |        | 5565 ㄨ      |
| 1968-69 | CHEVY II Nova | 350 CI V8 |         |      |        | 5565 ㄨ      |
| 1968-69 | CHEVY II Nova | 396 CI V8 |         |      |        | 5561        |
| 1985    | CITATION      | 2.5 L4    | R       | 5526 |        |             |
| 1985    | CITATION      | 2.8 V6    | W       | 5526 |        |             |
| 1961    | CORVETTE      | 283 CI V8 |         |      |        | 5565        |
| 1962-68 | CORVETTE      | 327 CI V8 |         |      |        | 5565 ㄨ      |
| 1966-69 | CORVETTE      | 427 CI V8 |         |      |        | 5561        |
| 1969-74 | CORVETTE      | 350 CI V8 |         |      |        | 5565 ㄨ      |
| 1970-74 | CORVETTE      | 454 CI V8 |         |      |        | 5561        |
| 1975-80 | CORVETTE      | 350 CI V8 | J       |      | 8362 ㊦ | 5566        |
| 1980    | CORVETTE      | 305 CI V8 | H       |      | 8362 ㊦ | 5566        |
| 1981    | CORVETTE      | 5.7 V8    | 6       |      | 8362 ㊦ | 5566        |
| 1982    | CORVETTE      | 5.7 V8    | 8       |      |        | 5566        |
| 1984-91 | CORVETTE      | 5.7 V8    | 8       |      |        | 5563        |
| 1992-94 | CORVETTE      | 5.7 V8    | P       | 5526 |        |             |
| 1995    | CORVETTE      | 5.7 V8    | P       | 5526 |        |             |
| 1964-67 | EL CAMINO     | 283 CI V8 |         |      |        | 5565 ㄨ      |
| 1964-68 | EL CAMINO     | 327 CI V8 |         |      |        | 5565 ㄨ      |
| 1966-70 | EL CAMINO     | 396 CI V8 |         |      |        | 5561        |
| 1968-73 | EL CAMINO     | 307 CI V8 | ME      |      |        | 5565 ㄨ      |
| 1969-74 | EL CAMINO     | 350 CI V8 |         |      |        | 5565 ㄨ      |
| 1970-74 | EL CAMINO     | 400 CI V8 | K       |      |        | 5561        |
| 1970-74 | EL CAMINO     | 454 CI V8 |         |      |        | 5561        |
| 1975-76 | EL CAMINO     | 400 CI V8 | U       |      | 8362   | 5561        |
| 1975-79 | EL CAMINO     | 350 CI V8 | H       |      | 8362   | 5554        |
| 1976-80 | EL CAMINO     | 305 CI V8 | Q       |      | 8362 ㊦ | 5554        |
| 1979-82 | EL CAMINO     | 267 CI V8 | J       |      |        | 5568        |
| 1981-86 | EL CAMINO     | 5.0 V8    | H       |      | 8362 ㊦ | 5554        |
| 1986-87 | EL CAMINO     | 4.3 V6    | Z       | 5526 |        |             |
| 1987    | EL CAMINO     | 5.0 V8    | H       | 5526 |        | 5570        |
| 1999-00 | EXPRESS 3500  | 7.4 V8    | J       |      |        | 5569        |
| 1968-73 | G10 VAN       | 307 CI V8 | E       |      |        | 5565 ㄨ      |
| 1970-74 | G10 VAN       | 350 CI V8 | E       |      |        | 5565 ㄨ      |
| 1973-74 | G10 VAN       | 454 CI V8 | Z       |      |        | 5561        |
| 1975-80 | G10 VAN       | 350 CI V8 | V       |      | 8362 ㊦ |             |
| 1977-80 | G10 VAN       | 305 CI V8 | U       |      | 8362 ㊦ | 5554        |
| 1981-86 | G10 VAN       | 5.0 V8    | F       |      | 8362 ㊦ | 5554        |
| 1981-86 | G10 VAN       | 5.7 V8    | L       |      | 8362 ㊦ |             |
| 1986-95 | G10 VAN       | 4.3 V6    | N       | 5526 |        |             |
| 1987-95 | G10 VAN       | 5.0 V8    | H       | 5526 |        | 5562        |
| 1987-95 | G10 VAN       | 5.7 V8    | K       | 5526 |        | 5562        |
| 1996    | G1500 VAN     | 4.3 V6    | W       | 5526 |        |             |
| 1996    | G1500 VAN     | 4.3 V6    | W       | 5526 |        |             |
| 1968-69 | G20 VAN       | 307 CI V8 | E       |      |        | 5565 ㄨ      |
| 1970-74 | G20 VAN       | 350 CI V8 | E       |      |        | 5565 ㄨ      |
| 1973    | G20 VAN       | 454 CI V8 | Z       |      |        | 5561        |
| 1974+76 | G20 VAN       | 454 CI V8 | Z       |      |        | 5560        |
| 1975-80 | G20 VAN       | 350 CI V8 | V       |      | 8362 ㊦ |             |
| 1975-80 | G20 VAN       | 400 CI V8 | M       |      | 8362 ㊦ | 5561        |
| 1977-80 | G20 VAN       | 305 CI V8 | U       |      | 8362 ㊦ | 5554        |
| 1981-85 | G20 VAN       | 5.0 V8    | F       |      | 8362 ㊦ | 5554        |
| 1981-86 | G20 VAN       | 5.7 V8    | M       |      | 8362 ㊦ |             |
| 1986    | G20 VAN       | 5.0 V8    | F       |      | 8362 ㊦ | 5562        |
| 1986-95 | G20 VAN       | 4.3 V6    | N       | 5526 |        |             |

## CHEVROLET (continued)

| YEAR    | MODEL        | ENGINE    | ENG VIN | COIL | DIST.  | SF WIRE SET |
|---------|--------------|-----------|---------|------|--------|-------------|
| 1987-95 | G20 VAN      | 5.0 V8    | H       | 5526 |        | 5562        |
| 1987-95 | G20 VAN      | 5.7 V8    | K       | 5526 |        | 5562        |
| 1996    | G2500 VAN    | 5.0 V8    | H       |      |        | 5562        |
| 1971-74 | G30 VAN      | 350 CI V8 | A       |      |        | 5565 ㄨ      |
| 1973-74 | G30 VAN      | 454 CI V8 | Z       |      |        | 5561        |
| 1975-76 | G30 VAN      | 454 CI V8 | Z       |      | 8362   | 5560        |
| 1975-80 | G30 VAN      | 350 CI V8 | V       |      | 8362 ㊦ |             |
| 1975-80 | G30 VAN      | 400 CI V8 | M       |      | 8362 ㊦ | 5561        |
| 1978-79 | G30 VAN      | 305 CI V8 | U       |      | 8362   | 5554        |
| 1981-86 | G30 VAN      | 5.7 V8    | M       |      | 8362 ㊦ |             |
| 1982-85 | G30 VAN      | 5.0 V8    | F       |      | 8362 ㊦ | 5554        |
| 1987-95 | G30 VAN      | 4.3 V6    | Z       | 5526 |        |             |
| 1987-95 | G30 VAN      | 5.7 V8    | K       | 5526 |        | 5562        |
| 1988-95 | G30 VAN      | 7.4 V8    | N       | 5526 |        | 5571        |
| 1996-98 | G3500 VAN    | 7.4 V8    | N       |      |        | 5569        |
| 1961-65 | IMPALA       | 409 CI V8 |         |      |        | 5561        |
| 1961-67 | IMPALA       | 283 CI V8 |         |      |        | 5565 ㄨ      |
| 1962-69 | IMPALA       | 327 CI V8 |         |      |        | 5565 ㄨ      |
| 1966-69 | IMPALA       | 396 CI V8 |         |      |        | 5561        |
| 1966-69 | IMPALA       | 427 CI V8 |         |      |        | 5561        |
| 1968    | IMPALA       | 307 CI V8 | ME      |      |        | 5565 ㄨ      |
| 1969-74 | IMPALA       | 350 CI V8 |         |      |        | 5565 ㄨ      |
| 1970-74 | IMPALA       | 400 CI V8 |         |      |        | 5561        |
| 1970-74 | IMPALA       | 454 CI V8 |         |      |        | 5561        |
| 1975-76 | IMPALA       | 400 CI V8 | M       |      | 8362   | 5561        |
| 1975-76 | IMPALA       | 454 CI V8 | Y       |      | 8362   | 5560        |
| 1975-80 | IMPALA       | 350 CI V8 | H       |      | 8362 ㊦ | 5554        |
| 1977-80 | IMPALA       | 305 CI V8 | U       |      | 8362 ㊦ | 5554        |
| 1980-82 | IMPALA       | 267 CI V8 | J       |      |        | 5568        |
| 1981-85 | IMPALA       | 5.0 V8    | H       |      | 8362 ㊦ | 5554        |
| 1981-85 | IMPALA       | 5.7 V8    | L       |      | 8362 ㊦ | 5554        |
| 1994    | IMPALA SS    | 5.7 V8    | P       | 5526 |        |             |
| 1995    | IMPALA SS    | 5.7 V8    | P       | 5526 |        |             |
| 1961-67 | K10 PICKUP   | 283 CI V8 |         |      |        | 5565 ㄨ      |
| 1962-68 | K10 PICKUP   | 327 CI V8 |         |      |        | 5565 ㄨ      |
| 1968-69 | K10 PICKUP   | 307 CI V8 | E       |      |        | 5565 ㄨ      |
| 1968-69 | K10 PICKUP   | 396 CI V8 | E       |      |        | 5561        |
| 1969-74 | K10 PICKUP   | 350 CI V8 | E       |      |        | 5565 ㄨ      |
| 1974    | K10 PICKUP   | 454 CI V8 | Z       |      |        | 5560        |
| 1975-80 | K10 PICKUP   | 350 CI V8 | V       |      | 8362 ㊦ | 5554        |
| 1975-80 | K10 PICKUP   | 400 CI V8 | M       |      | 8362 ㊦ | 5561        |
| 1976-80 | K10 PICKUP   | 454 CI V8 | S       |      | 8362 ㊦ | 5560        |
| 1977-79 | K10 PICKUP   | 305 CI V8 | U       |      | 8362   | 5554        |
| 1981-86 | K10 PICKUP   | 5.0 V8    | H       |      | 8362 ㊦ | 5554        |
| 1981-86 | K10 PICKUP   | 5.7 V8    | L       |      | 8362 ㊦ | 5554        |
| 1986    | K10 PICKUP   | 4.3 V6    | N       | 5526 |        |             |
| 1968    | K10 SUBURBAN | 327 CI V8 | E       |      |        | 5565 ㄨ      |
| 1968-69 | K10 SUBURBAN | 396 CI V8 | E       |      |        | 5561        |
| 1968-73 | K10 SUBURBAN | 307 CI V8 | E       |      |        | 5565 ㄨ      |
| 1969-74 | K10 SUBURBAN | 350 CI V8 | E       |      |        | 5565 ㄨ      |
| 1970-72 | K10 SUBURBAN | 400 CI V8 | E       |      |        | 5561        |
| 1975-79 | K10 SUBURBAN | 400 CI V8 | M       |      | 8362   | 5561        |
| 1975-80 | K10 SUBURBAN | 350 CI V8 | V       |      | 8362 ㊦ | 5554        |
| 1976-80 | K10 SUBURBAN | 305 CI V8 | Q       |      | 8362 ㊦ | 5554        |
| 1981-86 | K10 SUBURBAN | 5.0 V8    | F       |      | 8362 ㊦ | 5554        |
| 1981-86 | K10 SUBURBAN | 5.7 V8    | L       |      | 8362 ㊦ | 5554        |

## CHEVROLET (continued)

| YEAR    | MODEL          | ENGINE    | ENG VIN | COIL | DIST.  | SF WIRE SET |
|---------|----------------|-----------|---------|------|--------|-------------|
| 1988-95 | K1500 PICKUP   | 4.3 V6    | Z       | 5526 |        |             |
| 1988-95 | K1500 PICKUP   | 5.0 V8    | H       | 5526 |        | 5562        |
| 1988-95 | K1500 PICKUP   | 5.7 V8    | K       | 5526 |        | 5562        |
| 1996-98 | K1500 PICKUP   | 4.3 V6    | W       | 5526 |        |             |
| 1992-95 | K1500 SUBURBAN | 5.7 V8    | K       | 5526 |        | 5562        |
| 1961-67 | K20 PICKUP     | 283 CI V8 |         |      |        | 5565 ✕      |
| 1962-65 | K20 PICKUP     | 409 CI V8 |         |      |        | 5561        |
| 1962-68 | K20 PICKUP     | 327 CI V8 |         |      |        | 5565 ✕      |
| 1966    | K20 PICKUP     | 366 CI V8 |         |      |        | 5561        |
| 1968-69 | K20 PICKUP     | 307 CI V8 | E       |      |        | 5565 ✕      |
| 1968-69 | K20 PICKUP     | 396 CI V8 | E       |      |        | 5561        |
| 1969-74 | K20 PICKUP     | 350 CI V8 | E       |      |        | 5565 ✕      |
| 1973-74 | K20 PICKUP     | 454 CI V8 | Z       |      |        | 5561        |
| 1975-80 | K20 PICKUP     | 350 CI V8 | V       |      | 8362 ☉ | 5554        |
| 1975-80 | K20 PICKUP     | 400 CI V8 | M       |      | 8362 ☉ | 5561        |
| 1976-80 | K20 PICKUP     | 454 CI V8 | S       |      | 8362 ☉ | 5560        |
| 1977-80 | K20 PICKUP     | 305 CI V8 | U       |      | 8362 ☉ | 5554        |
| 1981-86 | K20 PICKUP     | 5.7 V8    | L       |      | 8362 ☉ | 5554        |
| 1985    | K20 PICKUP     | 5.0 V8    | H       |      | 8362 ☉ | 5554        |
| 1986    | K20 PICKUP     | 4.8 L6    | T       | 5526 |        |             |
| 1968    | K20 SUBURBAN   | 327 CI V8 | E       |      |        | 5565 ✕      |
| 1968-73 | K20 SUBURBAN   | 307 CI V8 | E       |      |        | 5565 ✕      |
| 1969-74 | K20 SUBURBAN   | 350 CI V8 | E       |      |        | 5565 ✕      |
| 1973    | K20 SUBURBAN   | 454 CI V8 | Z       |      |        | 5561        |
| 1975-80 | K20 SUBURBAN   | 350 CI V8 | V       |      | 8362 ☉ | 5554        |
| 1975-80 | K20 SUBURBAN   | 400 CI V8 | M       |      | 8362 ☉ | 5561        |
| 1977-78 | K20 SUBURBAN   | 305 CI V8 | U       |      | 8362 ☉ | 5554        |
| 1981-82 | K20 SUBURBAN   | 5.7 V8    | L       |      | 8362 ☉ | 5554        |
| 1983-84 | K20 SUBURBAN   | 5.7 V8    | L       |      | 8362 ☉ | 5568        |
| 1985    | K20 SUBURBAN   | 7.4 V8    | W       |      |        | 5567        |
| 1985-86 | K20 SUBURBAN   | 5.0 V8    | H       |      | 8362 ☉ | 5554        |
| 1985-86 | K20 SUBURBAN   | 5.7 V8    | L       |      | 8362 ☉ | 5562        |
| 1988-95 | K2500 PICKUP   | 4.3 V6    | Z       | 5526 |        |             |
| 1988-95 | K2500 PICKUP   | 5.0 V8    | H       | 5526 |        | 5562        |
| 1988-95 | K2500 PICKUP   | 5.7 V8    | K       | 5526 |        | 5562        |
| 1991-95 | K2500 PICKUP   | 7.4 V8    | N       | 5526 |        | 5569        |
| 1992-95 | K2500 SUBURBAN | 5.7 V8    | K       | 5526 |        | 5562        |
| 1992-95 | K2500 SUBURBAN | 7.4 V8    | N       | 5526 |        | 5569        |
| 1968    | K30 PICKUP     | 327 CI V8 | E       |      |        | 5565 ✕      |
| 1968-69 | K30 PICKUP     | 396 CI V8 | E       |      |        | 5561        |
| 1968-73 | K30 PICKUP     | 307 CI V8 | E       |      |        | 5565 ✕      |
| 1969-74 | K30 PICKUP     | 350 CI V8 | E       |      |        | 5565 ✕      |
| 1970-71 | K30 PICKUP     | 400 CI V8 | E       |      |        | 5561        |
| 1973-74 | K30 PICKUP     | 454 CI V8 | Z       |      |        | 5561        |
| 1977-80 | K30 PICKUP     | 350 CI V8 | L       |      | 8362 ☉ | 5554        |
| 1977-80 | K30 PICKUP     | 400 CI V8 | R       |      | 8362 ☉ | 5561        |
| 1977-80 | K30 PICKUP     | 454 CI V8 | S       |      |        | 5567        |
| 1981-86 | K30 PICKUP     | 5.7 V8    | M       |      | 8362 ☉ | 5554        |
| 1981-86 | K30 PICKUP     | 7.4 V8    | W       |      |        | 5567        |
| 1988-95 | K3500 PICKUP   | 5.7 V8    | K       | 5526 |        | 5562        |
| 1988-95 | K3500 PICKUP   | 7.4 V8    | N       | 5526 |        | 5569        |
| 1969-72 | KINGSWOOD      | 350 CI V8 |         |      |        | 5565 ✕      |
| 1973-74 | LAGUNA         | 350 CI V8 | H       |      |        | 5565        |
| 1975-76 | LAGUNA         | 350 CI V8 | H       |      | 8362   | 5554        |
| 1975-76 | LAGUNA         | 400 CI V8 | U       |      | 8362   | 5561        |
| 1976    | LAGUNA         | 305 CI V8 | Q       |      | 8362   | 5554        |

## CHEVROLET (continued)

| YEAR    | MODEL                | ENGINE    | ENG VIN | COIL | DIST.  | SF WIRE SET |
|---------|----------------------|-----------|---------|------|--------|-------------|
| 1987-93 | LLV (POSTAL VEHICLE) | 2.5 L4    | E       | 5526 |        |             |
| 1964-67 | MALIBU               | 283 CI V8 |         |      |        | 5565 ✕      |
| 1964-67 | MALIBU               | 327 CI V8 |         |      |        | 5565 ✕      |
| 1966-67 | MALIBU               | 396 CI V8 |         |      |        | 5561        |
| 1973    | MALIBU               | 307 CI V8 | F       |      |        | 5565 ✕      |
| 1973-74 | MALIBU               | 350 CI V8 | H       |      |        | 5565        |
| 1973-74 | MALIBU               | 454 CI V8 | Y       |      |        | 5561        |
| 1974-76 | MALIBU               | 400 CI V8 | R       |      |        | 5561        |
| 1975    | MALIBU               | 454 CI V8 | Y       |      | 8362   | 5560        |
| 1975-80 | MALIBU               | 350 CI V8 | H       |      | 8362 ☉ | 5554        |
| 1976-80 | MALIBU               | 305 CI V8 | Q       |      | 8362 ☉ | 5554        |
| 1979-82 | MALIBU               | 267 CI V8 | J       |      |        | 5568        |
| 1981    | MALIBU               | 5.7 V8    | L       |      | 8362 ☉ | 5554        |
| 1981-83 | MALIBU               | 5.0 V8    | H       |      | 8362 ☉ | 5554        |
| 1970-74 | MONTE CARLO          | 350 CI V8 |         |      |        | 5565 ✕      |
| 1970-74 | MONTE CARLO          | 400 CI V8 |         |      |        | 5561        |
| 1970-74 | MONTE CARLO          | 454 CI V8 |         |      |        | 5561        |
| 1975    | MONTE CARLO          | 454 CI V8 | Y       |      | 8362   | 5560        |
| 1975-76 | MONTE CARLO          | 400 CI V8 | U       |      | 8362   | 5561        |
| 1975-77 | MONTE CARLO          | 350 CI V8 | H       |      | 8362   | 5554        |
| 1976-80 | MONTE CARLO          | 305 CI V8 | Q       |      | 8362 ☉ | 5554        |
| 1979-82 | MONTE CARLO          | 267 CI V8 | J       |      |        | 5568        |
| 1981    | MONTE CARLO          | 5.7 V8    | L       |      | 8362 ☉ | 5554        |
| 1981-86 | MONTE CARLO          | 5.0 V8    | H       |      | 8362 ☉ | 5554        |
| 1986-88 | MONTE CARLO          | 4.3 V6    | Z       | 5526 |        |             |
| 1987-88 | MONTE CARLO          | 5.0 V8    | H       | 5526 |        | 5570        |
| 1975    | MONZA                | 350 CI V8 | H       |      | 8362   | 5554        |
| 1975-76 | MONZA                | 262 CI V8 | G       |      | 8362   | 5554        |
| 1976-79 | MONZA                | 305 CI V8 | Q       |      | 8362   | 5554        |
| 1972-74 | MOTORHOME            | 454 CI V8 |         |      |        | 5561        |
| 1975-80 | MOTORHOME            | 454 CI V8 |         |      | 8362 ☉ | 5560        |
| 1975-80 | MOTORHOME            | 454 CI V8 |         |      | 8362 ☉ | 5560        |
| 1981-86 | MOTORHOME            | 7.4 V8    |         |      |        | 5567        |
| 1981-86 | MOTORHOME            | 7.4 V8    |         |      |        | 5567        |
| 1987-95 | MOTORHOME            | 7.4 V8    |         | 5526 |        | 5569        |
| 1987-95 | MOTORHOME            | 7.4 V8    |         | 5526 |        | 5569        |
| 1993-95 | MOTORHOME            | 7.4 V8    |         | 5526 |        | 5569        |
| 1996    | MOTORHOME            | 7.4 V8    |         |      |        | 5569        |
| 1996    | MOTORHOME            | 7.4 V8    |         |      |        | 5569        |
| 1996-02 | MOTORHOME            | 7.4 V8    |         |      |        | 5569        |
| 1998-04 | MOTORHOME            | 7.4 V8    |         |      |        | 5569        |
| 1962-67 | NOVA                 | 283 CI V8 |         |      |        | 5565 ✕      |
| 1965-67 | NOVA                 | 327 CI V8 |         |      |        | 5565 ✕      |
| 1970    | NOVA                 | 396 CI V8 |         |      |        | 5561        |
| 1970    | NOVA                 | 400 CI V8 |         |      |        | 5561        |
| 1970-73 | NOVA                 | 307 CI V8 | ND      |      |        | 5565 ✕      |
| 1970-74 | NOVA                 | 350 CI V8 |         |      |        | 5565 ✕      |
| 1975    | NOVA                 | 262 CI V8 | G       |      | 8362   | 5554        |
| 1975-79 | NOVA                 | 350 CI V8 | H       |      | 8362   | 5554        |
| 1976-79 | NOVA                 | 305 CI V8 | Q       |      | 8362   | 5554        |
| 1987    | R10 PICKUP           | 4.3 V6    | Z       | 5526 |        |             |
| 1987    | R10 PICKUP           | 5.0 V8    | H       | 5526 |        | 5562        |
| 1987    | R10 PICKUP           | 5.7 V8    | K       | 5526 |        | 5562        |
| 1987    | R10 SUBURBAN         | 5.0 V8    | H       | 5526 |        | 5562        |
| 1987-88 | R10 SUBURBAN         | 5.7 V8    | K       | 5526 |        | 5562        |
| 1989-91 | R1500 SUBURBAN       | 5.7 V8    | K       | 5526 |        | 5562        |

☉ - Non Computer Controlled only

✕ - Wires Under Manf use 5564

## CHEVROLET (continued)

| YEAR    | MODEL          | ENGINE    | ENG VIN | COIL | DIST. | SF WIRE SET |
|---------|----------------|-----------|---------|------|-------|-------------|
| 1987    | R20 PICKUP     | 4.3 V6    | Z       | 5526 |       |             |
| 1987    | R20 PICKUP     | 5.0 V8    | H       | 5526 |       | 5562        |
| 1987-88 | R20 PICKUP     | 4.8 L6    | T       | 5526 |       |             |
| 1987-88 | R20 PICKUP     | 5.7 V8    | K       | 5526 |       | 5562        |
| 1987-88 | R20 PICKUP     | 7.4 V8    | N       | 5526 |       | 5569        |
| 1987-88 | R20 SUBURBAN   | 5.7 V8    | K       | 5526 |       | 5562        |
| 1987-88 | R20 SUBURBAN   | 7.4 V8    | N       | 5526 |       | 5569        |
| 1989    | R2500 PICKUP   | 7.4 V8    | N       | 5526 |       | 5569        |
| 1989-91 | R2500 SUBURBAN | 5.7 V8    | K       | 5526 |       | 5562        |
| 1989-91 | R2500 SUBURBAN | 7.4 V8    | N       | 5526 |       | 5571        |
| 1987-88 | R30 PICKUP     | 4.8 L6    | T       | 5526 |       |             |
| 1987-88 | R30 PICKUP     | 5.7 V8    | K       | 5526 |       | 5562        |
| 1987-88 | R30 PICKUP     | 7.4 V8    | N       | 5526 |       | 5569        |
| 1989-91 | R3500 PICKUP   | 5.7 V8    | K       | 5526 |       | 5562        |
| 1989-91 | R3500 PICKUP   | 7.4 V8    | N       | 5526 |       | 5571        |
| 1985-88 | S10 BLAZER     | 2.5 L4    | E       | 5526 |       |             |
| 1985-90 | S10 BLAZER     | 2.8 V6    | B       | 5526 |       |             |
| 1988-94 | S10 BLAZER     | 4.3 V6    | Z       | 5526 |       |             |
| 1985-93 | S10 PICKUP     | 2.5 L4    | E       | 5526 |       |             |
| 1985-93 | S10 PICKUP     | 2.8 V6    | B       | 5526 |       |             |
| 1988-95 | S10 PICKUP     | 4.3 V6    | Z       | 5526 |       |             |
| 1987-88 | SPECTRUM       | 1.5 L4    | 9       | 5526 |       |             |
| 1961-67 | SUBURBAN       | 283 CI V8 |         |      |       | 5565 ✕      |
| 1962-65 | SUBURBAN       | 409 CI V8 |         |      |       | 5561        |
| 1962-67 | SUBURBAN       | 327 CI V8 |         |      |       | 5565 ✕      |
| 1966    | SUBURBAN       | 366 CI V8 |         |      |       | 5561        |
| 1995    | TAHOE          | 5.7 V8    | K       | 5526 |       | 5562        |
| 1969-72 | TOWNSMAN       | 350 CI V8 |         |      |       | 5565        |
| 1970-72 | TOWNSMAN       | 400 CI V8 |         |      |       | 5561        |
| 1970-72 | TOWNSMAN       | 454 CI V8 |         |      |       | 5561        |
| 1987    | V10 PICKUP     | 4.3 V6    | Z       | 5526 |       |             |
| 1987    | V10 PICKUP     | 5.0 V8    | H       | 5526 |       | 5562        |
| 1987    | V10 PICKUP     | 5.7 V8    | K       | 5526 |       | 5562        |
| 1987    | V10 SUBURBAN   | 5.7 V8    | K       | 5526 |       | 5562        |
| 1988    | V10 SUBURBAN   | 5.7 V8    | K       | 5526 |       | 5562        |
| 1989-91 | V1500 SUBURBAN | 5.7 V8    | K       | 5526 |       | 5562        |
| 1987    | V20 PICKUP     | 4.8 L6    | T       | 5526 |       |             |
| 1987    | V20 PICKUP     | 5.7 V8    | K       | 5526 |       | 5562        |
| 1987-88 | V20 SUBURBAN   | 5.7 V8    | K       | 5526 |       | 5562        |
| 1987-88 | V20 SUBURBAN   | 7.4 V8    | N       | 5526 |       | 5569        |
| 1989-91 | V2500 SUBURBAN | 5.7 V8    | K       | 5526 |       | 5562        |
| 1990    | V2500 SUBURBAN | 7.4 V8    | N       | 5526 |       | 5571        |
| 1987-88 | V30 PICKUP     | 4.8 L6    | T       | 5526 |       |             |
| 1987-88 | V30 PICKUP     | 5.7 V8    | K       | 5526 |       | 5562        |
| 1987-88 | V30 PICKUP     | 7.4 V8    | N       | 5526 |       | 5569        |
| 1989-91 | V3500 PICKUP   | 5.7 V8    | K       | 5526 |       | 5562        |
| 1989-91 | V3500 PICKUP   | 7.4 V8    | N       | 5526 |       | 5571        |

## CHRYSLER

| YEAR    | MODEL        | ENGINE | ENG VIN | COIL | DIST. | SF WIRE SET |
|---------|--------------|--------|---------|------|-------|-------------|
| 1962-66 | 300          | 6.3 V8 |         |      |       | 5531        |
| 1975-79 | CORDOBA      | 5.9 V8 | J       |      |       | 5530        |
| 1975-83 | CORDOBA      | 5.2 V8 | G       |      |       | 5530        |
| 1983-89 | FIFTH AVENUE | 5.2 V8 | P       |      |       | 5530        |

## CHRYSLER (continued)

| YEAR    | MODEL          | ENGINE | ENG VIN | COIL | DIST. | SF WIRE SET |
|---------|----------------|--------|---------|------|-------|-------------|
| 1981-83 | IMPERIAL       | 5.2 V8 | J       |      |       | 5530        |
| 1977-81 | LEBARON        | 5.2 V8 | G       |      |       | 5530        |
| 1978-79 | LEBARON        | 5.9 V8 | J       |      |       | 5530        |
| 1977-80 | NEW YORKER     | 5.9 V8 | J       |      |       | 5530        |
| 1979-82 | NEW YORKER     | 5.2 V8 | G       |      |       | 5530        |
| 1965-71 | NEWPORT        | 6.3 V8 |         |      |       | 5531        |
| 1974-80 | NEWPORT        | 5.9 V8 | J       |      |       | 5530        |
| 1979-81 | NEWPORT        | 5.2 V8 | G       |      |       | 5530        |
| 1960    | SARATOGA       | 6.3 V8 |         |      |       | 5531        |
| 1960-71 | TOWN & COUNTRY | 6.3 V8 |         |      |       | 5531        |
| 1978-79 | TOWN & COUNTRY | 5.9 V8 | J       |      |       | 5530        |
| 1978-81 | TOWN & COUNTRY | 5.2 V8 | G       |      |       | 5530        |
| 1960-61 | WINDSOR        | 6.3 V8 |         |      |       | 5531        |

## DODGE

| YEAR    | MODEL          | ENGINE | ENG VIN | COIL | DIST. | SF WIRE SET |
|---------|----------------|--------|---------|------|-------|-------------|
| 1963-64 | 330            | 7.0 V8 |         |      |       | 5531        |
| 1964    | 330            | 6.3 V8 |         |      |       | 5531        |
| 1963-64 | 440            | 7.0 V8 |         |      |       | 5531        |
| 1964    | 440            | 6.3 V8 |         |      |       | 5531        |
| 1963-64 | 880            | 6.3 V8 |         |      |       | 5531        |
| 1963-64 | 880            | 7.0 V8 |         |      |       | 5531        |
| 1976-80 | ASPEN          | 5.2 V8 | G       |      |       | 5530        |
| 1976-80 | ASPEN          | 5.9 V8 | K       |      |       | 5530        |
| 1974    | B100 VAN       | 7.2 V8 | D       |      |       | 5531        |
| 1981-87 | B150 VAN       | 5.2 V8 | P       |      |       | 5530        |
| 1988-91 | B150 VAN       | 5.2 V8 | Y       |      |       | 5530        |
| 1992-93 | B150 VAN       | 5.2 V8 | Y       |      |       | 5532        |
| 1971-78 | B200 VAN       | 6.6 V8 | J       |      |       | 5531        |
| 1973-80 | B200 VAN       | 5.2 V8 | E       |      |       | 5530        |
| 1973-80 | B200 VAN       | 5.9 V8 | F       |      |       | 5530        |
| 1974-78 | B200 VAN       | 7.2 V8 | D       |      |       | 5531        |
| 1981-87 | B250 VAN       | 5.2 V8 | P       |      |       | 5530        |
| 1981-87 | B250 VAN       | 5.9 V8 | T       |      |       | 5530        |
| 1988-91 | B250 VAN       | 5.2 V8 | Y       |      |       | 5530        |
| 1992-93 | B250 VAN       | 5.2 V8 | Y       |      |       | 5532        |
| 1973-80 | B300 VAN       | 5.2 V8 | E       |      |       | 5530        |
| 1973-80 | B300 VAN       | 5.9 V8 | F       |      |       | 5530        |
| 1975-78 | B300 VAN       | 7.2 V8 | D       |      |       | 5531        |
| 1976-78 | B300 VAN       | 6.6 V8 | J       |      |       | 5531        |
| 1981-87 | B350 VAN       | 5.2 V8 | P       |      |       | 5530        |
| 1981-87 | B350 VAN       | 5.9 V8 | S       |      |       | 5530        |
| 1988-91 | B350 VAN       | 5.2 V8 | Y       |      |       | 5530        |
| 1992-93 | B350 VAN       | 5.2 V8 | Y       |      |       | 5532        |
| 1974-80 | CB300          | 5.2 V8 | E       |      |       | 5530        |
| 1974-80 | CB300          | 5.9 V8 | F       |      |       | 5530        |
| 1976-78 | CB300          | 6.6 V8 | J       |      |       | 5531        |
| 1977-79 | CB300          | 7.2 V8 | D       |      |       | 5531        |
| 1970-71 | CHALLENGER     | 6.3 V8 | L       |      |       | 5531        |
| 1970-71 | CHALLENGER     | 7.0 V8 | J       |      |       | 5531        |
| 1973    | CHALLENGER     | 5.6 V8 | H       |      |       | 5530        |
| 1973-74 | CHALLENGER     | 5.2 V8 | G       |      |       | 5530        |
| 1974    | CHALLENGER     | 5.9 V8 | L       |      |       | 5530        |
| 1970-71 | CHALLENGER R/T | 7.2 V8 | U       |      |       | 5531        |

## DODGE (continued)

| YEAR    | MODEL       | ENGINE | ENG VIN | COIL | DIST. | SF WIRE SET |
|---------|-------------|--------|---------|------|-------|-------------|
| 1967-71 | CHARGER     | 6.3 V8 | G       |      |       | 5531        |
| 1967-71 | CHARGER     | 7.0 V8 | J       |      |       | 5531        |
| 1967-74 | CHARGER     | 7.2 V8 | L       |      |       | 5531        |
| 1972-78 | CHARGER     | 6.6 V8 | M       |      |       | 5531        |
| 1973    | CHARGER     | 5.6 V8 | H       |      |       | 5530        |
| 1973-78 | CHARGER     | 5.2 V8 | G       |      |       | 5530        |
| 1974-78 | CHARGER     | 5.9 V8 | J       |      |       | 5530        |
| 1965-70 | CORONET     | 7.0 V8 |         |      |       | 5531        |
| 1967-71 | CORONET     | 6.3 V8 | G       |      |       | 5531        |
| 1967-76 | CORONET     | 7.2 V8 | L       |      |       | 5531        |
| 1972-76 | CORONET     | 6.6 V8 | M       |      |       | 5531        |
| 1973    | CORONET     | 5.6 V8 | H       |      |       | 5530        |
| 1973-76 | CORONET     | 5.2 V8 | G       |      |       | 5530        |
| 1973-76 | CORONET     | 5.9 V8 | K       |      |       | 5530        |
| 1962-65 | CUSTOM      | 6.3 V8 |         |      |       | 5531        |
| 1963-65 | CUSTOM      | 7.0 V8 |         |      |       | 5531        |
| 1968-71 | D100 PICKUP | 6.3 V8 | 8       |      |       | 5531        |
| 1971-78 | D100 PICKUP | 6.6 V8 | J       |      |       | 5531        |
| 1973-78 | D100 PICKUP | 7.2 V8 | D       |      |       | 5531        |
| 1973-87 | D100 PICKUP | 5.2 V8 | E       |      |       | 5530        |
| 1973-87 | D100 PICKUP | 5.9 V8 | F       |      |       | 5530        |
| 1988-89 | D100 PICKUP | 5.2 V8 | Y       |      |       | 5530        |
| 1963-67 | D100 SERIES | 6.3 V8 |         |      |       | 5531        |
| 1977-78 | D150 PICKUP | 6.6 V8 | J       |      |       | 5531        |
| 1977-87 | D150 PICKUP | 5.2 V8 | E       |      |       | 5530        |
| 1977-87 | D150 PICKUP | 5.9 V8 | F       |      |       | 5530        |
| 1978    | D150 PICKUP | 7.2 V8 | D       |      |       | 5531        |
| 1988-90 | D150 PICKUP | 5.2 V8 | Y       |      |       | 5530        |
| 1992-93 | D150 PICKUP | 5.2 V8 | Y       |      |       | 5532        |
| 1968-71 | D200 PICKUP | 6.3 V8 | 8       |      |       | 5531        |
| 1971-78 | D200 PICKUP | 6.6 V8 | J       |      |       | 5531        |
| 1973-78 | D200 PICKUP | 7.2 V8 | D       |      |       | 5531        |
| 1973-80 | D200 PICKUP | 5.2 V8 | E       |      |       | 5530        |
| 1973-80 | D200 PICKUP | 5.9 V8 | F       |      |       | 5530        |
| 1963-67 | D200 SERIES | 6.3 V8 |         |      |       | 5531        |
| 1981-87 | D250 PICKUP | 5.2 V8 | P       |      |       | 5530        |
| 1981-87 | D250 PICKUP | 5.9 V8 | S       |      |       | 5530        |
| 1988-91 | D250 PICKUP | 5.2 V8 | Y       |      |       | 5530        |
| 1992-93 | D250 PICKUP | 5.2 V8 | Y       |      |       | 5532        |
| 1968-71 | D300 PICKUP | 6.3 V8 | 8       |      |       | 5531        |
| 1971-78 | D300 PICKUP | 6.6 V8 | J       |      |       | 5531        |
| 1973-78 | D300 PICKUP | 7.2 V8 | D       |      |       | 5531        |
| 1973-80 | D300 PICKUP | 5.2 V8 | E       |      |       | 5530        |
| 1973-80 | D300 PICKUP | 5.9 V8 | F       |      |       | 5530        |
| 1963-67 | D300 SERIES | 6.3 V8 |         |      |       | 5531        |
| 1981-83 | D350 PICKUP | 5.2 V8 | R       |      |       | 5530        |
| 1981-87 | D350 PICKUP | 5.9 V8 | T       |      |       | 5530        |
| 1978    | D400 PICKUP | 7.2 V8 | D       |      |       | 5531        |
| 1978-81 | D400 PICKUP | 5.9 V8 | F       |      |       | 5530        |
| 1978    | D450 PICKUP | 7.2 V8 | D       |      |       | 5531        |
| 1978-81 | D450 PICKUP | 5.9 V8 | F       |      |       | 5530        |
| 1989-90 | DAKOTA      | 5.2 V8 | Y       |      |       | 5530        |
| 1992-97 | DAKOTA      | 5.2 V8 | Y       |      |       | 5532        |
| 1998-99 | DAKOTA      | 5.2 V8 | Y       |      |       | 5532        |
| 2003    | DAKOTA      | 5.9 V8 | Z       |      |       | 5532        |
| 1960-69 | DART        | 6.3 V8 |         |      |       | 5531        |

## DODGE (continued)

| YEAR    | MODEL           | ENGINE | ENG VIN | COIL | DIST. | SF WIRE SET |
|---------|-----------------|--------|---------|------|-------|-------------|
| 1973    | DART            | 5.6 V8 | H       |      |       | 5530        |
| 1973-76 | DART            | 5.2 V8 | G       |      |       | 5530        |
| 1974-76 | DART            | 5.9 V8 | L       |      |       | 5530        |
| 1977-87 | DIPLOMAT        | 5.2 V8 | G       |      |       | 5530        |
| 1978-79 | DIPLOMAT        | 5.9 V8 | J       |      |       | 5530        |
| 1988-89 | DIPLOMAT        | 5.2 V8 | 4       |      |       | 5530        |
| 1974    | M300            | 5.2 V8 | G       |      |       | 5530        |
| 1974    | M300            | 7.2 V8 | A       |      |       | 5531        |
| 1974    | M350            | 5.2 V8 | G       |      |       | 5530        |
| 1974    | M350            | 7.2 V8 | A       |      |       | 5531        |
| 1978    | MAGNUM          | 6.6 V8 | N       |      |       | 5531        |
| 1978-79 | MAGNUM          | 5.2 V8 | G       |      |       | 5530        |
| 1978-79 | MAGNUM          | 5.9 V8 | J       |      |       | 5530        |
| 1960    | MATADOR         | 6.3 V8 |         |      |       | 5531        |
| 1980    | MIRADA          | 5.9 V8 | L       |      |       | 5530        |
| 1980-83 | MIRADA          | 5.2 V8 | G       |      |       | 5530        |
| 1965-66 | MONACO          | 7.0 V8 |         |      |       | 5531        |
| 1965-71 | MONACO          | 6.3 V8 |         |      |       | 5531        |
| 1966-78 | MONACO          | 7.2 V8 |         |      |       | 5531        |
| 1972-78 | MONACO          | 6.6 V8 | M       |      |       | 5531        |
| 1973-78 | MONACO          | 5.9 V8 | K       |      |       | 5530        |
| 1975-78 | MONACO          | 5.2 V8 | G       |      |       | 5530        |
| 1960-71 | POLARA          | 6.3 V8 |         |      |       | 5531        |
| 1964-67 | POLARA          | 7.0 V8 |         |      |       | 5531        |
| 1966-73 | POLARA          | 7.2 V8 |         |      |       | 5531        |
| 1972-73 | POLARA          | 6.6 V8 | M       |      |       | 5531        |
| 1973    | POLARA          | 5.2 V8 | G       |      |       | 5530        |
| 1973    | POLARA          | 5.9 V8 | K       |      |       | 5530        |
| 1994-97 | RAM 1500 PICKUP | 5.2 V8 | Y       |      |       | 5532        |
| 1994-97 | RAM 1500 PICKUP | 5.9 V8 | Z       |      |       | 5532        |
| 1998-01 | RAM 1500 PICKUP | 5.2 V8 | Y       |      |       | 5532        |
| 1998-01 | RAM 1500 PICKUP | 5.9 V8 | 5       |      |       | 5532        |
| 1994-97 | RAM 2500 PICKUP | 5.2 V8 | Y       |      |       | 5532        |
| 1994-97 | RAM 2500 PICKUP | 5.9 V8 | Z       |      |       | 5532        |
| 1998    | RAM 2500 PICKUP | 5.2 V8 | Y       |      |       | 5532        |
| 1998-02 | RAM 2500 PICKUP | 5.9 V8 | 5       |      |       | 5532        |
| 1994-97 | RAM 3500 PICKUP | 5.9 V8 | 5       |      |       | 5532        |
| 1998-02 | RAM 3500 PICKUP | 5.9 V8 | 5, Z    |      |       | 5532        |
| 1974-78 | RAMCHARGER      | 7.2 V8 | D       |      |       | 5531        |
| 1974-79 | RAMCHARGER      | 5.2 V8 | E       |      |       | 5530        |
| 1974-79 | RAMCHARGER      | 5.9 V8 | F       |      |       | 5530        |
| 1976-78 | RAMCHARGER      | 6.6 V8 | J       |      |       | 5531        |
| 1980-87 | RAMCHARGER      | 5.2 V8 | E       |      |       | 5530        |
| 1980-87 | RAMCHARGER      | 5.9 V8 | T       |      |       | 5530        |
| 1988-91 | RAMCHARGER      | 5.2 V8 | Y       |      |       | 5530        |
| 1992-93 | RAMCHARGER      | 5.2 V8 | Y       |      |       | 5532        |
| 1978    | RD200           | 5.2 V8 | E       |      |       | 5530        |
| 1978    | RD200           | 5.9 V8 | F       |      |       | 5530        |
| 1980    | RD200 PICKUP    | 5.2 V8 | P       |      |       | 5530        |
| 1980    | RD200 PICKUP    | 5.9 V8 | T       |      |       | 5530        |
| 1975-77 | ROYAL MONACO    | 5.2 V8 | G       |      |       | 5530        |
| 1975-77 | ROYAL MONACO    | 5.9 V8 | J       |      |       | 5530        |
| 1975-77 | ROYAL MONACO    | 6.6 V8 | M       |      |       | 5531        |
| 1975-77 | ROYAL MONACO    | 7.2 V8 | T       |      |       | 5531        |
| 1979    | ST. REGIS       | 5.2 V8 | G       |      |       | 5530        |
| 1979    | ST. REGIS       | 5.9 V8 | J       |      |       | 5530        |

## DODGE (continued)

| YEAR    | MODEL       | ENGINE | ENG VIN | COIL | DIST. | SF WIRE SET |
|---------|-------------|--------|---------|------|-------|-------------|
| 1980    | ST. REGIS   | 5.9 V8 | L       |      |       | 5530        |
| 1980-81 | ST. REGIS   | 5.2 V8 | G       |      |       | 5530        |
| 1968-71 | W100 PICKUP | 6.3 V8 | 8       |      |       | 5531        |
| 1971-77 | W100 PICKUP | 6.6 V8 | J       |      |       | 5531        |
| 1973-87 | W100 PICKUP | 5.2 V8 | E       |      |       | 5530        |
| 1973-87 | W100 PICKUP | 5.9 V8 | F       |      |       | 5530        |
| 1974-77 | W100 PICKUP | 7.2 V8 | D       |      |       | 5531        |
| 1988-89 | W100 PICKUP | 5.2 V8 | Y       |      |       | 5530        |
| 1963-67 | W100 SERIES | 6.3 V8 |         |      |       | 5531        |
| 1977-78 | W150 PICKUP | 6.6 V8 | J       |      |       | 5531        |
| 1977-79 | W150 PICKUP | 5.2 V8 | E       |      |       | 5530        |
| 1977-79 | W150 PICKUP | 5.9 V8 | F       |      |       | 5530        |
| 1978    | W150 PICKUP | 7.2 V8 | D       |      |       | 5531        |
| 1980-87 | W150 PICKUP | 5.2 V8 | E       |      |       | 5530        |
| 1980-87 | W150 PICKUP | 5.9 V8 | T       |      |       | 5530        |
| 1988-90 | W150 PICKUP | 5.2 V8 | Y       |      |       | 5530        |
| 1992-93 | W150 PICKUP | 5.2 V8 | Y       |      |       | 5532        |
| 1969-71 | W200 PICKUP | 6.3 V8 | 8       |      |       | 5531        |
| 1971-78 | W200 PICKUP | 6.6 V8 | J       |      |       | 5531        |
| 1973-79 | W200 PICKUP | 5.2 V8 | E       |      |       | 5530        |
| 1973-80 | W200 PICKUP | 5.9 V8 | F       |      |       | 5530        |
| 1974-78 | W200 PICKUP | 7.2 V8 | D       |      |       | 5531        |
| 1980    | W200 PICKUP | 5.2 V8 | E       |      |       | 5530        |
| 1963-67 | W200 SERIES | 6.3 V8 |         |      |       | 5531        |
| 1981-87 | W250 PICKUP | 5.9 V8 | T       |      |       | 5530        |
| 1981-88 | W250 PICKUP | 5.2 V8 | P       |      |       | 5530        |
| 1988-90 | W250 PICKUP | 5.2 V8 | Y       |      |       | 5530        |
| 1992-93 | W250 PICKUP | 5.2 V8 | Y       |      |       | 5532        |
| 1968-71 | W300 PICKUP | 6.3 V8 | 8       |      |       | 5531        |
| 1973-80 | W300 PICKUP | 5.2 V8 | E       |      |       | 5530        |
| 1973-80 | W300 PICKUP | 5.9 V8 | F       |      |       | 5530        |
| 1975-78 | W300 PICKUP | 7.2 V8 | D       |      |       | 5531        |
| 1976-78 | W300 PICKUP | 6.6 V8 | J       |      |       | 5531        |
| 1967    | W300 SERIES | 6.3 V8 |         |      |       | 5531        |
| 1981-87 | W350 PICKUP | 5.9 V8 | T       |      |       | 5530        |
| 1982-83 | W350 PICKUP | 5.2 V8 | P       |      |       | 5530        |

## FORD

| YEAR    | MODEL         | ENGINE | ENG VIN | COIL | DIST. | SF WIRE SET |
|---------|---------------|--------|---------|------|-------|-------------|
| 1986    | AEROSTAR      | 2.8 V6 | S       | 5527 |       |             |
| 1986-87 | AEROSTAR      | 2.3 L4 | A       | 5527 |       |             |
| 1986-95 | AEROSTAR      | 3.0 V6 | U       | 5527 |       |             |
| 1978-79 | BRONCO        | 6.6 V8 | S       |      |       | 5540        |
| 1978-82 | BRONCO        | 5.8 V8 | H       |      |       | 5541        |
| 1983    | BRONCO        | 5.8 V8 | G       | 5527 |       | 5541        |
| 1984-91 | BRONCO        | 5.8 V8 | G       | 5527 |       | 5541        |
| 1984-92 | BRONCO        | 4.9 L6 | Y       | 5527 |       |             |
| 1985-96 | BRONCO        | 5.0 V8 | N       | 5527 |       | 5541        |
| 1992-96 | BRONCO        | 5.8 V8 | H       | 5527 |       |             |
| 1984-85 | BRONCO II     | 2.8 V6 | S       | 5527 |       |             |
| 1986-90 | BRONCO II     | 2.9 V6 | T       | 5527 |       |             |
| 1960-64 | CLUB          | 5.8 V8 |         |      |       | 5542        |
| 1960-67 | COUNTRY SEDAN | 5.8 V8 |         |      |       | 5542        |
| 1969-74 | COUNTRY SEDAN | 5.8 V8 | H       |      |       | 5542        |

## FORD (continued)

| YEAR    | MODEL           | ENGINE | ENG VIN | COIL | DIST. | SF WIRE SET |
|---------|-----------------|--------|---------|------|-------|-------------|
| 1971-74 | COUNTRY SEDAN   | 6.6 V8 | S       |      |       | 5542        |
| 1972-74 | COUNTRY SEDAN   | 7.5 V8 | A       |      |       | 5542        |
| 1960-74 | COUNTRY SQUIRE  | 5.8 V8 |         |      |       | 5542        |
| 1971-74 | COUNTRY SQUIRE  | 6.6 V8 | S       |      |       | 5542        |
| 1972-74 | COUNTRY SQUIRE  | 7.5 V8 | A       |      |       | 5542        |
| 1975    | COUNTRY SQUIRE  | 7.5 V8 | A       |      |       | 5542        |
| 1975-76 | COUNTRY SQUIRE  | 6.6 V8 | S       |      |       | 5542        |
| 1976-78 | COUNTRY SQUIRE  | 7.5 V8 | A       |      |       | 5540        |
| 1977-78 | COUNTRY SQUIRE  | 6.6 V8 | S       |      |       | 5540        |
| 1979    | COUNTRY SQUIRE  | 5.0 V8 | F       |      |       | 5541        |
| 1979    | COUNTRY SQUIRE  | 5.8 V8 | H       |      |       | 5541        |
| 1987-91 | COUNTRY SQUIRE  | 5.0 V8 | F       | 5527 |       | 5541        |
| 1987-91 | CROWN VICTORIA  | 5.0 V8 | F       | 5527 |       | 5541        |
| 1964-72 | CUSTOM          | 5.8 V8 |         |      |       | 5542        |
| 1971-72 | CUSTOM          | 6.6 V8 | S       |      |       | 5542        |
| 1960    | CUSTOM 300      | 5.8 V8 |         |      |       | 5542        |
| 1969-74 | CUSTOM 500      | 5.8 V8 | H       |      |       | 5542        |
| 1971-74 | CUSTOM 500      | 6.6 V8 | S       |      |       | 5542        |
| 1973-74 | CUSTOM 500      | 7.5 V8 | A       |      |       | 5542        |
| 1975-76 | CUSTOM 500      | 5.8 V8 | H       |      |       | 5542        |
| 1975-76 | CUSTOM 500      | 6.6 V8 | S       |      |       | 5542        |
| 1975-76 | CUSTOM 500      | 7.5 V8 | A       |      |       | 5542        |
| 1977    | CUSTOM 500      | 5.8 V8 | H       |      |       | 5541        |
| 1977    | CUSTOM 500      | 6.6 V8 | S       |      |       | 5540        |
| 1996    | E SUPER DUTY    | 5.8 V8 | H       | 5527 |       |             |
| 1996    | E SUPER DUTY    | 7.5 V8 | G       | 5527 |       |             |
| 1975-76 | E-100 ECONOLINE | 5.8 V8 | H       |      |       | 5542        |
| 1975-83 | E-100 ECONOLINE | 5.0 V8 | G       |      |       | 5543        |
| 1977-83 | E-100 ECONOLINE | 5.8 V8 | H       |      |       | 5541        |
| 1978    | E-100 ECONOLINE | 7.5 V8 | A       |      |       | 5540        |
| 1975-76 | E-150 ECONOLINE | 5.8 V8 | H       |      |       | 5542        |
| 1975-84 | E-150 ECONOLINE | 5.0 V8 | G       |      |       | 5543        |
| 1976-80 | E-150 ECONOLINE | 7.5 V8 | A       |      |       | 5540        |
| 1977-85 | E-150 ECONOLINE | 5.8 V8 | H       |      |       | 5541        |
| 1984-95 | E-150 ECONOLINE | 4.9 L6 | Y       | 5527 |       |             |
| 1985-93 | E-150 ECONOLINE | 5.0 V8 | F       | 5527 |       | 5541        |
| 1988-91 | E-150 ECONOLINE | 5.8 V8 | H       | 5527 |       |             |
| 1992-96 | E-150 ECONOLINE | 5.8 V8 | H       | 5527 |       |             |
| 1994-96 | E-150 ECONOLINE | 5.0 V8 | N       | 5527 |       |             |
| 1970-74 | E-200 ECONOLINE | 5.0 V8 | G       |      |       | 5543        |
| 1975-76 | E-250 ECONOLINE | 5.8 V8 | H       |      |       | 5542        |
| 1975-84 | E-250 ECONOLINE | 5.0 V8 | G       |      |       | 5543        |
| 1975-87 | E-250 ECONOLINE | 7.5 V8 | A       |      |       | 5542        |
| 1977-87 | E-250 ECONOLINE | 5.8 V8 | H       |      |       | 5541        |
| 1984-95 | E-250 ECONOLINE | 4.9 L6 | Y       | 5527 |       |             |
| 1985-91 | E-250 ECONOLINE | 5.0 V8 | F       | 5527 |       | 5541        |
| 1988-91 | E-250 ECONOLINE | 5.8 V8 | H       | 5527 |       |             |
| 1988-96 | E-250 ECONOLINE | 7.5 V8 | G       | 5527 |       |             |
| 1992-96 | E-250 ECONOLINE | 5.8 V8 | H       | 5527 |       |             |
| 1975    | E-350 ECONOLINE | 5.0 V8 | G       |      |       | 5543        |
| 1975    | E-350 ECONOLINE | 7.5 V8 | A       |      |       | 5542        |
| 1975-76 | E-350 ECONOLINE | 5.8 V8 | H       |      |       | 5542        |
| 1976-79 | E-350 ECONOLINE | 7.5 V8 | A       |      |       | 5540        |
| 1977-87 | E-350 ECONOLINE | 5.8 V8 | H       |      |       | 5541        |
| 1979-82 | E-350 ECONOLINE | 5.0 V8 | G       |      |       | 5541        |
| 1984-95 | E-350 ECONOLINE | 4.9 L6 | Y       | 5527 |       |             |



## FORD (continued)

| YEAR    | MODEL               | ENGINE | ENG VIN | COIL | DIST. | SF WIRE SET |
|---------|---------------------|--------|---------|------|-------|-------------|
| 1988-91 | E-350 ECONOLINE     | 5.8 V8 | H       | 5527 |       |             |
| 1988-95 | E-350 ECONOLINE     | 7.5 V8 | G       | 5527 |       |             |
| 1992-96 | E-350 ECONOLINE     | 5.8 V8 | H       | 5527 |       |             |
| 1996    | E-350 ECONOLINE     | 7.5 V8 | G       | 5527 |       |             |
| 1975-76 | ELITE               | 5.8 V8 | H       |      |       | 5542        |
| 1975-76 | ELITE               | 6.6 V8 | S       |      |       | 5542        |
| 1975-76 | ELITE               | 7.5 V8 | A       |      |       | 5542        |
| 1983-85 | ESCORT              | 1.6 L4 | 2       | 5527 |       |             |
| 1985-90 | ESCORT              | 1.9 L4 | 9       | 5527 |       |             |
| 1983-85 | EXP                 | 1.6 L4 | 2       | 5527 |       |             |
| 1986-88 | EXP                 | 1.9 L4 | 9       | 5527 |       |             |
| 1966-67 | F-100 PICKUP        | 5.8 V8 |         |      |       | 5542        |
| 1973-4  | F-100 PICKUP        | 7.5 V8 | J       |      |       | 5542        |
| 1975-76 | F-100 PICKUP        | 5.0 V8 | G       |      |       | 5543        |
| 1975-79 | F-100 PICKUP        | 7.5 V8 | J       |      |       | 5542        |
| 1977-79 | F-100 PICKUP        | 6.6 V8 | S       |      |       | 5540        |
| 1977-81 | F-100 PICKUP        | 5.8 V8 | H       |      |       | 5541        |
| 1977-83 | F-100 PICKUP        | 5.0 V8 | G       |      |       | 5541        |
| 1981-82 | F-100 PICKUP        | 4.2 V8 | D       |      |       | 5541        |
| 1975    | F-150 PICKUP        | 7.5 V8 | J       |      |       | 5542        |
| 1975-76 | F-150 PICKUP        | 5.0 V8 | G       |      |       | 5543        |
| 1976-79 | F-150 PICKUP        | 7.5 V8 | J       |      |       | 5540        |
| 1977-79 | F-150 PICKUP        | 6.6 V8 | S       |      |       | 5540        |
| 1977-84 | F-150 PICKUP        | 5.0 V8 | G       |      |       | 5541        |
| 1977-85 | F-150 PICKUP        | 5.8 V8 | H       |      |       | 5541        |
| 1984-95 | F-150 PICKUP        | 4.9 L6 | Y       | 5527 |       |             |
| 1985-93 | F-150 PICKUP        | 5.0 V8 | F       | 5527 |       | 5541        |
| 1988-91 | F-150 PICKUP        | 5.8 V8 | H       | 5527 |       |             |
| 1992-96 | F-150 PICKUP        | 5.8 V8 | H       | 5527 |       |             |
| 1994-96 | F-150 PICKUP        | 5.0 V8 | N       | 5527 |       |             |
| 1993-95 | F-150 PICKUP Lghtng | 5.8 V8 | R       | 5527 |       |             |
| 1966-67 | F-250 PICKUP        | 5.8 V8 |         |      |       | 5542        |
| 1972-74 | F-250 PICKUP        | 5.0 V8 | G       |      |       | 5543        |
| 1973-74 | F-250 PICKUP        | 7.5 V8 | J       |      |       | 5542        |
| 1975    | F-250 PICKUP        | 7.5 V8 | J       |      |       | 5542        |
| 1975-84 | F-250 PICKUP        | 5.0 V8 | G       |      |       | 5541        |
| 1976-87 | F-250 PICKUP        | 7.5 V8 | J       |      |       | 5540        |
| 1977-79 | F-250 PICKUP        | 6.6 V8 | S       |      |       | 5540        |
| 1977-87 | F-250 PICKUP        | 5.8 V8 | H       |      |       | 5541        |
| 1984-95 | F-250 PICKUP        | 4.9 L6 | Y       | 5527 |       |             |
| 1985-93 | F-250 PICKUP        | 5.0 V8 | F       | 5527 |       | 5541        |
| 1988-91 | F-250 PICKUP        | 5.8 V8 | H       | 5527 |       |             |
| 1988-95 | F-250 PICKUP        | 7.5 V8 | G       | 5527 |       |             |
| 1992-97 | F-250 PICKUP        | 5.8 V8 | H       | 5527 |       |             |
| 1994-96 | F-250 PICKUP        | 5.0 V8 | N       | 5527 |       |             |
| 1996-97 | F-250 PICKUP        | 7.5 V8 | G       | 5527 |       |             |
| 1966-67 | F-350 PICKUP        | 5.8 V8 |         |      |       | 5542        |
| 1972-74 | F-350 PICKUP        | 5.0 V8 | G       |      |       | 5543        |
| 1973-74 | F-350 PICKUP        | 7.5 V8 | J       |      |       | 5542        |
| 1975    | F-350 PICKUP        | 7.5 V8 | J       |      |       | 5542        |
| 1975-76 | F-350 PICKUP        | 5.0 V8 | G       |      |       | 5543        |
| 1976-87 | F-350 PICKUP        | 7.5 V8 | J       |      |       | 5540        |
| 1977-79 | F-350 PICKUP        | 6.6 V8 | S       |      |       | 5540        |
| 1977-80 | F-350 PICKUP        | 5.0 V8 | G       |      |       | 5541        |
| 1977-87 | F-350 PICKUP        | 5.8 V8 | H       |      |       | 5541        |
| 1984-95 | F-350 PICKUP        | 4.9 L6 | Y       | 5527 |       |             |

## FORD (continued)

| YEAR    | MODEL                   | ENGINE | ENG VIN | COIL | DIST. | SF WIRE SET |
|---------|-------------------------|--------|---------|------|-------|-------------|
| 1988-91 | F-350 PICKUP            | 5.8 V8 | H       | 5527 |       |             |
| 1988-95 | F-350 PICKUP            | 7.5 V8 | G       | 5527 |       |             |
| 1992-97 | F-350 PICKUP            | 5.8 V8 | H       | 5527 |       |             |
| 1996-97 | F-350 PICKUP            | 7.5 V8 | G       | 5527 |       |             |
| 1990-95 | F-450 SUPER DUTY PICKUP | 7.5 V8 | G       | 5527 |       |             |
| 1996-97 | F-450 SUPER DUTY PICKUP | 7.5 V8 | G       | 5527 |       |             |
| 1988-95 | F53 STRIPPED CHASSIS    | 7.5 V8 | G       | 5527 |       |             |
| 1996-97 | F53 STRIPPED CHASSIS    | 7.5 V8 | G       | 5527 |       |             |
| 1960-61 | FAIRLANE                | 5.8 V8 |         |      |       | 5542        |
| 1969-70 | FAIRLANE                | 5.8 V8 | H       |      |       | 5542        |
| 1970    | FAIRLANE                | 5.0 V8 | F       |      |       | 5543        |
| 1978-79 | FAIRMONT                | 5.0 V8 | F       |      |       | 5541        |
| 1980-82 | FAIRMONT                | 4.2 V8 | D       |      |       | 5541        |
| 1970    | FALCON                  | 5.0 V8 | F       |      |       | 5543        |
| 1963    | FORD 300                | 5.8 V8 |         |      |       | 5542        |
| 1960-66 | GALAXIE                 | 5.8 V8 |         |      |       | 5542        |
| 1969-74 | GALAXIE 500             | 5.8 V8 | H       |      |       | 5542        |
| 1971-74 | GALAXIE 500             | 6.6 V8 | S       |      |       | 5542        |
| 1973-74 | GALAXIE 500             | 7.5 V8 | A       |      |       | 5542        |
| 1972-74 | GRAN TORINO             | 5.0 V8 | F       |      |       | 5543        |
| 1972-74 | GRAN TORINO             | 5.8 V8 | H       |      |       | 5542        |
| 1972-74 | GRAN TORINO             | 6.6 V8 | S       |      |       | 5542        |
| 1974    | GRAN TORINO             | 7.5 V8 | A       |      |       | 5542        |
| 1975    | GRAN TORINO             | 7.5 V8 | A       |      |       | 5542        |
| 1975-76 | GRAN TORINO             | 5.8 V8 | H       |      |       | 5542        |
| 1975-76 | GRAN TORINO             | 6.6 V8 | S       |      |       | 5542        |
| 1976    | GRAN TORINO             | 7.5 V8 | A       |      |       | 5540        |
| 1975-76 | GRANADA                 | 5.0 V8 | F       |      |       | 5543        |
| 1975-76 | GRANADA                 | 5.8 V8 | H       |      |       | 5542        |
| 1977    | GRANADA                 | 5.8 V8 | H       |      |       | 5541        |
| 1977-80 | GRANADA                 | 5.0 V8 | F       |      |       | 5541        |
| 1980-81 | GRANADA                 | 4.2 V8 | D       |      |       | 5541        |
| 1969-74 | LTD                     | 5.8 V8 | H       |      |       | 5542        |
| 1971-74 | LTD                     | 6.6 V8 | S       |      |       | 5542        |
| 1972-74 | LTD                     | 7.5 V8 | A       |      |       | 5542        |
| 1975    | LTD                     | 7.5 V8 | A       |      |       | 5542        |
| 1975-76 | LTD                     | 5.8 V8 | H       |      |       | 5542        |
| 1975-76 | LTD                     | 6.6 V8 | S       |      |       | 5542        |
| 1976-78 | LTD                     | 7.5 V8 | A       |      |       | 5540        |
| 1977-78 | LTD                     | 6.6 V8 | S       |      |       | 5540        |
| 1977-84 | LTD                     | 5.0 V8 | F       |      |       | 5541        |
| 1977-86 | LTD                     | 5.8 V8 | H       |      |       | 5541        |
| 1981-82 | LTD                     | 4.2 V8 | D       |      |       | 5541        |
| 1984-86 | LTD                     | 3.8 V6 | 3       | 5527 |       |             |
| 1985-86 | LTD                     | 2.3 L4 | A       | 5527 |       |             |
| 1985-86 | LTD                     | 5.0 V8 | M       | 5527 |       | 5541        |
| 1977-78 | LTD II                  | 6.6 V8 | S       |      |       | 5540        |
| 1977-79 | LTD II                  | 5.0 V8 | F       |      |       | 5541        |
| 1977-79 | LTD II                  | 5.8 V8 | H       |      |       | 5541        |
| 1971-74 | MAVERICK                | 5.0 V8 | F       |      |       | 5543        |
| 1975-77 | MAVERICK                | 5.0 V8 | F       |      |       | 5543        |
| 1970-75 | MOTORHOME               | 7.5 V8 |         |      |       | 5542        |
| 1976-79 | MOTORHOME               | 7.5 V8 |         |      |       | 5540        |
| 1979    | MOTORHOME               | 6.6 V8 |         |      |       | 5540        |
| 1988-04 | MOTORHOME               | 7.5 V8 |         | 5527 |       |             |
| 1969-73 | MUSTANG                 | 5.8 V8 | H       |      |       | 5542        |

## FORD (continued)

| YEAR    | MODEL       | ENGINE | ENG VIN | COIL | DIST. | SF WIRE SET |
|---------|-------------|--------|---------|------|-------|-------------|
| 1970-73 | MUSTANG     | 5.0 V8 |         | F    |       | 5543        |
| 1979-84 | MUSTANG     | 5.0 V8 |         | F    |       | 5541        |
| 1980-82 | MUSTANG     | 4.2 V8 |         | D    |       | 5541        |
| 1984-86 | MUSTANG     | 3.8 V6 | 3       | 5527 |       |             |
| 1985-90 | MUSTANG     | 2.3 L4 | A       | 5527 |       |             |
| 1985-93 | MUSTANG     | 5.0 V8 | F       | 5527 |       | 5541        |
| 1994-95 | MUSTANG     | 5.0 V8 | D       | 5527 |       | 5544        |
| 1995    | MUSTANG     | 5.8 V8 | C       | 5527 |       |             |
| 1975-76 | MUSTANG II  | 5.0 V8 | F       |      |       | 5543        |
| 1977-78 | MUSTANG II  | 5.0 V8 | F       |      |       | 5541        |
| 1990-92 | PROBE LX    | 3.0 V6 | U       | 5527 |       |             |
| 1993-95 | PROBE SE    | 2.0 L4 | A       | 5527 |       |             |
| 1960-66 | RANCH WAGON | 5.8 V8 |         |      |       | 5542        |
| 1969-74 | RANCH WAGON | 5.8 V8 | H       |      |       | 5542        |
| 1970-72 | RANCH WAGON | 5.0 V8 | F       |      |       | 5543        |
| 1971-74 | RANCH WAGON | 6.6 V8 | S       |      |       | 5542        |
| 1973-74 | RANCH WAGON | 7.5 V8 | A       |      |       | 5542        |
| 1975-76 | RANCH WAGON | 6.6 V8 | S       |      |       | 5542        |
| 1969-74 | RANCHERO    | 5.8 V8 | H       |      |       | 5542        |
| 1972-74 | RANCHERO    | 6.6 V8 | S       |      |       | 5542        |
| 1974    | RANCHERO    | 7.5 V8 | A       |      |       | 5542        |
| 1975    | RANCHERO    | 7.5 V8 | A       |      |       | 5542        |
| 1975-76 | RANCHERO    | 5.8 V8 | H       |      |       | 5542        |
| 1975-76 | RANCHERO    | 6.6 V8 | S       |      |       | 5542        |
| 1976-77 | RANCHERO    | 7.5 V8 | A       |      |       | 5540        |
| 1977-78 | RANCHERO    | 6.6 V8 | S       |      |       | 5540        |
| 1977-79 | RANCHERO    | 5.0 V8 | F       |      |       | 5541        |
| 1977-79 | RANCHERO    | 5.8 V8 | H       |      |       | 5541        |
| 1983-85 | RANGER      | 2.8 V6 | S       | 5527 |       |             |
| 1985-87 | RANGER      | 2.3 L4 | A       | 5527 |       |             |
| 1986-92 | RANGER      | 2.9 V6 | T       | 5527 |       |             |
| 1991-94 | RANGER      | 3.0 V6 | U       | 5527 |       |             |
| 1960-61 | STARLINER   | 5.8 V8 |         |      |       | 5542        |
| 1960-64 | SUNLINER    | 5.8 V8 |         |      |       | 5542        |
| 1986-91 | TAURUS      | 2.5 L4 | D       | 5527 |       |             |
| 1986-95 | TAURUS      | 3.0 V6 | U       | 5527 |       |             |
| 1988-95 | TAURUS GL   | 3.8 V6 | 4       | 5527 |       |             |
| 1984-94 | TEMPO       | 2.3 L4 | R       | 5527 |       |             |
| 1992-94 | TEMPO       | 3.0 V6 | U       | 5527 |       |             |
| 1960    | THUNDERBIRD | 5.8 V8 |         |      |       | 5542        |
| 1972    | THUNDERBIRD | 6.6 V8 | S       |      |       | 5542        |
| 1972-75 | THUNDERBIRD | 7.5 V8 | A       |      |       | 5542        |
| 1976    | THUNDERBIRD | 7.5 V8 | A       |      |       | 5540        |
| 1977-78 | THUNDERBIRD | 6.6 V8 | S       |      |       | 5540        |
| 1977-79 | THUNDERBIRD | 5.8 V8 | H       |      |       | 5541        |
| 1977-84 | THUNDERBIRD | 5.0 V8 | F       |      |       | 5541        |
| 1980-82 | THUNDERBIRD | 4.2 V8 | D       |      |       | 5541        |
| 1983    | THUNDERBIRD | 2.3 L4 | W       | 5527 |       |             |
| 1984-88 | THUNDERBIRD | 2.3 L4 | W       | 5527 |       |             |
| 1984-95 | THUNDERBIRD | 3.8 V6 | 3       | 5527 |       |             |
| 1985-93 | THUNDERBIRD | 5.0 V8 | F       | 5527 |       | 5541        |
| 1969-74 | TORINO      | 5.8 V8 | H       |      |       | 5542        |
| 1970-74 | TORINO      | 5.0 V8 | F       |      |       | 5543        |
| 1972-74 | TORINO      | 6.6 V8 | S       |      |       | 5542        |
| 1973-75 | TORINO      | 7.5 V8 | C       |      |       | 5542        |
| 1975-76 | TORINO      | 5.8 V8 | H       |      |       | 5542        |

## FORD (continued)

| YEAR    | MODEL    | ENGINE | ENG VIN | COIL | DIST. | SF WIRE SET |
|---------|----------|--------|---------|------|-------|-------------|
| 1975-76 | TORINO   | 6.6 V8 |         | S    |       | 5542        |
| 1976    | TORINO   | 7.5 V8 |         | A    |       | 5540        |
| 1960-64 | VICTORIA | 5.8 V8 |         |      |       | 5542        |

# GMC

| YEAR    | MODEL              | ENGINE | ENG VIN | COIL | DIST.  | SF WIRE SET |
|---------|--------------------|--------|---------|------|--------|-------------|
| 1967    | C15/C1500 PICKUP   | 4.6 V8 |         |      |        | 5561        |
| 1968-73 | C15/C1500 PICKUP   | 5.0 V8 | E       |      |        | 5565 ☾      |
| 1969-74 | C15/C1500 PICKUP   | 5.7 V8 | E       |      |        | 5565 ☾      |
| 1970-72 | C15/C1500 PICKUP   | 6.6 V8 | E       |      |        | 5561        |
| 1973-74 | C15/C1500 PICKUP   | 7.4 V8 | Z       |      |        | 5565 ☾      |
| 1975-76 | C15/C1500 PICKUP   | 7.4 V8 | Z       |      | 8362   | 5560        |
| 1975-82 | C15/C1500 PICKUP   | 5.7 V8 | V       |      | 8362 ☾ | 5554        |
| 1976-80 | C15/C1500 PICKUP   | 6.6 V8 | U       |      | 8362 ☾ | 5560        |
| 1976-82 | C15/C1500 PICKUP   | 5.0 V8 | Q       |      | 8362 ☾ | 5554        |
| 1977-80 | C15/C1500 PICKUP   | 7.4 V8 | S       |      | 8362 ☾ | 5569        |
| 1983-85 | C15/C1500 PICKUP   | 5.7 V8 | L       |      | 8362 ☾ | 5568        |
| 1983-86 | C15/C1500 PICKUP   | 5.0 V8 | F       |      |        | 5568        |
| 1986    | C15/C1500 PICKUP   | 5.7 V8 | L       | 5526 |        | 5562        |
| 1968-73 | C15/C1500 SUBURBAN | 5.0 V8 | E       |      |        | 5565 ☾      |
| 1969-74 | C15/C1500 SUBURBAN | 5.7 V8 | E       |      |        | 5565 ☾      |
| 1970-72 | C15/C1500 SUBURBAN | 6.6 V8 | E       |      |        | 5561        |
| 1973-74 | C15/C1500 SUBURBAN | 7.4 V8 | Z       |      |        | 5565 ☾      |
| 1975-76 | C15/C1500 SUBURBAN | 7.4 V8 | Z       |      | 8362   | 5560        |
| 1975-82 | C15/C1500 SUBURBAN | 5.7 V8 | V       |      | 8362 ☾ | 5554        |
| 1976-82 | C15/C1500 SUBURBAN | 5.0 V8 | Q       |      | 8362 ☾ | 5554        |
| 1977-80 | C15/C1500 SUBURBAN | 7.4 V8 | S       |      | 8362 ☾ | 5569        |
| 1983-85 | C15/C1500 SUBURBAN | 5.0 V8 | F       |      |        | 5568        |
| 1983-85 | C15/C1500 SUBURBAN | 5.7 V8 | L       |      | 8362 ☾ | 5568        |
| 1986    | C15/C1500 SUBURBAN | 5.0 V8 | F       |      |        | 5562        |
| 1986    | C15/C1500 SUBURBAN | 5.7 V8 | L       | 5526 |        | 5562        |
| 1988-95 | C1500 PICKUP       | 4.3 V6 | Z       | 5526 |        |             |
| 1988-95 | C1500 PICKUP       | 5.0 V8 | H       | 5526 |        | 5562        |
| 1988-95 | C1500 PICKUP       | 5.7 V8 | K       | 5526 |        | 5562        |
| 1992-95 | C1500 SUBURBAN     | 5.7 V8 | K       | 5526 |        | 5562        |
| 1967    | C25/C2500 PICKUP   | 4.6 V8 |         |      |        | 5561        |
| 1968-73 | C25/C2500 PICKUP   | 5.0 V8 | E       |      |        | 5565 ☾      |
| 1969-74 | C25/C2500 PICKUP   | 5.7 V8 | E       |      |        | 5565 ☾      |
| 1970-72 | C25/C2500 PICKUP   | 6.6 V8 | E       |      |        | 5561        |
| 1973-74 | C25/C2500 PICKUP   | 7.4 V8 | Z       |      |        | 5565 ☾      |
| 1975-76 | C25/C2500 PICKUP   | 7.4 V8 | Z       |      | 8362   | 5560        |
| 1975-82 | C25/C2500 PICKUP   | 5.7 V8 | V       |      | 8362 ☾ | 5554        |
| 1976-79 | C25/C2500 PICKUP   | 6.6 V8 | U       |      | 8362   | 5560        |
| 1977-82 | C25/C2500 PICKUP   | 5.0 V8 | U       |      | 8362 ☾ | 5554        |
| 1977-86 | C25/C2500 PICKUP   | 7.4 V8 | S       |      | 8362 ☾ | 5569        |
| 1983-85 | C25/C2500 PICKUP   | 5.0 V8 | H       |      |        | 5568        |
| 1983-85 | C25/C2500 PICKUP   | 5.7 V8 | L       |      | 8362 ☾ | 5568        |
| 1986    | C25/C2500 PICKUP   | 5.0 V8 | H       |      |        | 5562        |
| 1986    | C25/C2500 PICKUP   | 5.7 V8 | L       | 5526 |        | 5562        |
| 1968-73 | C25/C2500 SUBURBAN | 5.0 V8 | E       |      |        | 5565 ☾      |
| 1969-74 | C25/C2500 SUBURBAN | 5.7 V8 | E       |      |        | 5565 ☾      |
| 1970-72 | C25/C2500 SUBURBAN | 6.6 V8 | E       |      |        | 5561        |
| 1974    | C25/C2500 SUBURBAN | 7.4 V8 | Z       |      |        | 5565 ☾      |
| 1975-76 | C25/C2500 SUBURBAN | 7.4 V8 | Z       |      | 8362   | 5560        |

## GMC (continued)

| YEAR    | MODEL              | ENGINE | ENG VIN | COIL | DIST.  | SF WIRE SET |
|---------|--------------------|--------|---------|------|--------|-------------|
| 1975-82 | C25/C2500 SUBURBAN | 5.7 V8 | V       |      | 8362 ☞ | 5554        |
| 1977-82 | C25/C2500 SUBURBAN | 5.0 V8 | U       |      | 8362 ☞ | 5554        |
| 1977-86 | C25/C2500 SUBURBAN | 7.4 V8 | S       |      | 8362 ☞ | 5569        |
| 1978-80 | C25/C2500 SUBURBAN | 6.6 V8 | R       |      | 8362 ☞ | 5560        |
| 1983-85 | C25/C2500 SUBURBAN | 5.0 V8 | H       |      |        | 5568        |
| 1983-85 | C25/C2500 SUBURBAN | 5.7 V8 | L       |      | 8362 ☞ | 5568        |
| 1986    | C25/C2500 SUBURBAN | 5.0 V8 | H       |      |        | 5562        |
| 1986    | C25/C2500 SUBURBAN | 5.7 V8 | L       | 5526 |        | 5562        |
| 1988-95 | C2500 PICKUP       | 4.3 V6 | Z       | 5526 |        |             |
| 1988-95 | C2500 PICKUP       | 5.0 V8 | H       | 5526 |        | 5562        |
| 1988-95 | C2500 PICKUP       | 5.7 V8 | K       | 5526 |        | 5562        |
| 1991-95 | C2500 PICKUP       | 7.4 V8 | N       | 5526 |        | 5571        |
| 1992-95 | C2500 SUBURBAN     | 5.7 V8 | K       | 5526 |        | 5562        |
| 1992-95 | C2500 SUBURBAN     | 7.4 V8 | N       | 5526 |        | 5571        |
| 1967    | C35/C3500 PICKUP   | 4.6 V8 |         |      |        | 5561        |
| 1968-73 | C35/C3500 PICKUP   | 5.0 V8 | E       |      |        | 5565 ☞      |
| 1969-74 | C35/C3500 PICKUP   | 5.7 V8 | E       |      |        | 5565 ☞      |
| 1970-72 | C35/C3500 PICKUP   | 6.6 V8 | E       |      |        | 5561        |
| 1973-74 | C35/C3500 PICKUP   | 7.4 V8 | Z       |      |        | 5565 ☞      |
| 1975-76 | C35/C3500 PICKUP   | 7.4 V8 | Z       |      | 8362   | 5560        |
| 1975-82 | C35/C3500 PICKUP   | 5.7 V8 | V       |      | 8362 ☞ | 5554        |
| 1976-79 | C35/C3500 PICKUP   | 6.6 V8 | U       |      | 8362   | 5560        |
| 1977-86 | C35/C3500 PICKUP   | 7.4 V8 | S       |      | 8362 ☞ | 5569        |
| 1978    | C35/C3500 PICKUP   | 5.0 V8 | U       |      | 8362   | 5554        |
| 1983-85 | C35/C3500 PICKUP   | 5.7 V8 | M       |      | 8362 ☞ | 5568        |
| 1986    | C35/C3500 PICKUP   | 5.0 V8 | H       |      |        | 5562        |
| 1986    | C35/C3500 PICKUP   | 5.7 V8 | M       | 5526 |        | 5562        |
| 1988-95 | C3500 PICKUP       | 5.7 V8 | K       | 5526 |        | 5562        |
| 1988-95 | C3500 PICKUP       | 7.4 V8 | N       | 5526 |        | 5569        |
| 1978-79 | CABALLERO          | 5.7 V8 | L       |      | 8362   | 5554        |
| 1978-82 | CABALLERO          | 5.0 V8 | U       |      | 8362 ☞ | 5554        |
| 1980-82 | CABALLERO          | 4.4 V8 | J       |      | 8362 ☞ | 5554        |
| 1983-86 | CABALLERO          | 5.0 V8 | H       |      |        | 5568        |
| 1985-87 | CABALLERO          | 4.3 V6 | Z       | 5526 |        |             |
| 1987    | CABALLERO          | 5.0 V8 | H       | 5526 |        | 5562        |
| 1967    | G15/G1500 VAN      | 4.6 V8 |         |      |        | 5561        |
| 1968-73 | G15/G1500 VAN      | 5.0 V8 | E       |      |        | 5565 ☞      |
| 1971-74 | G15/G1500 VAN      | 5.7 V8 | A       |      |        | 5565 ☞      |
| 1975-82 | G15/G1500 VAN      | 5.7 V8 | V       |      | 8362 ☞ | 5554        |
| 1976-79 | G15/G1500 VAN      | 6.6 V8 | U       |      | 8362   | 5560        |
| 1977-82 | G15/G1500 VAN      | 5.0 V8 | U       |      | 8362 ☞ | 5554        |
| 1979    | G15/G1500 VAN      | 7.4 V8 | S       |      | 8362   | 5569        |
| 1983-85 | G15/G1500 VAN      | 5.0 V8 | H       |      |        | 5568        |
| 1983-85 | G15/G1500 VAN      | 5.7 V8 | L       |      | 8362 ☞ | 5568        |
| 1986    | G15/G1500 VAN      | 5.0 V8 | H       |      |        | 5562        |
| 1986    | G15/G1500 VAN      | 5.7 V8 | L       | 5526 |        | 5562        |
| 1987-95 | G15/G1500 VAN      | 4.3 V6 | Z       | 5526 |        |             |
| 1987-95 | G15/G1500 VAN      | 5.0 V8 | H       | 5526 |        | 5562        |
| 1987-95 | G15/G1500 VAN      | 5.7 V8 | K       | 5526 |        | 5562        |
| 1967    | G25/G2500 VAN      | 4.6 V8 |         |      |        | 5561        |
| 1968-73 | G25/G2500 VAN      | 5.0 V8 | E       |      |        | 5565 ☞      |
| 1970-74 | G25/G2500 VAN      | 5.7 V8 | E       |      |        | 5565 ☞      |
| 1975-76 | G25/G2500 VAN      | 7.4 V8 | Z       |      | 8362   | 5560        |
| 1975-80 | G25/G2500 VAN      | 6.6 V8 | M       |      | 8362 ☞ | 5560        |
| 1975-85 | G25/G2500 VAN      | 5.7 V8 | Y       |      | 8362 ☞ | 5554        |
| 1977-82 | G25/G2500 VAN      | 5.0 V8 | U       |      | 8362 ☞ | 5554        |

## GMC (continued)

| YEAR    | MODEL              | ENGINE | ENG VIN | COIL | DIST.  | SF WIRE SET |
|---------|--------------------|--------|---------|------|--------|-------------|
| 1983-86 | G25/G2500 VAN      | 5.0 V8 | H       |      |        | 5568        |
| 1986    | G25/G2500 VAN      | 5.7 V8 | L       | 5526 |        | 5562        |
| 1987-95 | G25/G2500 VAN      | 4.3 V6 | Z       | 5526 |        |             |
| 1987-95 | G25/G2500 VAN      | 5.0 V8 | H       | 5526 |        | 5562        |
| 1987-95 | G25/G2500 VAN      | 5.7 V8 | K       | 5526 |        | 5562        |
| 1971-74 | G35/G3500 VAN      | 5.7 V8 | A       |      |        | 5565 ☞      |
| 1975-80 | G35/G3500 VAN      | 6.6 V8 | M       |      | 8362 ☞ | 5560        |
| 1975-82 | G35/G3500 VAN      | 5.7 V8 | V       |      | 8362 ☞ | 5554        |
| 1976-79 | G35/G3500 VAN      | 7.4 V8 | S       |      | 8362   | 5560        |
| 1981    | G35/G3500 VAN      | 5.0 V8 | H       |      | 8362 ☞ | 5554        |
| 1983-85 | G35/G3500 VAN      | 5.7 V8 | M       |      | 8362 ☞ | 5568        |
| 1986    | G35/G3500 VAN      | 5.7 V8 | M       | 5526 |        | 5562        |
| 1987-95 | G35/G3500 VAN      | 4.3 V6 | Z       | 5526 |        |             |
| 1987-95 | G35/G3500 VAN      | 5.7 V8 | K       | 5526 |        | 5562        |
| 1988-89 | G35/G3500 VAN      | 7.4 V8 | N       | 5526 |        | 5569        |
| 1990-95 | G35/G3500 VAN      | 7.4 V8 | N       | 5526 |        | 5571        |
| 1970-72 | JIMMY              | 5.0 V8 | A       |      |        | 5565 ☞      |
| 1970-74 | JIMMY              | 5.7 V8 | E       |      |        | 5565 ☞      |
| 1973    | JIMMY              | 7.4 V8 | Z       |      |        | 5565 ☞      |
| 1975-79 | JIMMY              | 6.6 V8 | M       |      | 8362 ☞ | 5560        |
| 1975-82 | JIMMY              | 5.7 V8 | V       |      | 8362 ☞ | 5554        |
| 1976    | JIMMY              | 7.4 V8 | Y       |      | 8362   | 5560        |
| 1977-82 | JIMMY              | 5.0 V8 | U       |      | 8362 ☞ | 5554        |
| 1983-85 | JIMMY              | 5.0 V8 | H       |      |        | 5568        |
| 1983-85 | JIMMY              | 5.7 V8 | L       |      | 8362 ☞ | 5568        |
| 1986    | JIMMY              | 5.0 V8 | H       |      |        | 5562        |
| 1986    | JIMMY              | 5.7 V8 | L       | 5526 |        | 5562        |
| 1987    | JIMMY              | 5.0 V8 | H       | 5526 |        | 5562        |
| 1987-91 | JIMMY              | 5.7 V8 | K       | 5526 |        | 5562        |
| 1995    | JIMMY              | 4.3 V6 | W       | 5526 |        |             |
| 1967    | K15/K1500 PICKUP   | 4.6 V8 |         |      |        | 5561        |
| 1968-70 | K15/K1500 PICKUP   | 5.0 V8 | E       |      |        | 5565 ☞      |
| 1969-74 | K15/K1500 PICKUP   | 5.7 V8 | E       |      |        | 5565 ☞      |
| 1975-80 | K15/K1500 PICKUP   | 6.6 V8 | M       |      | 8362 ☞ | 5560        |
| 1975-82 | K15/K1500 PICKUP   | 5.7 V8 | V       |      | 8362 ☞ | 5554        |
| 1976    | K15/K1500 PICKUP   | 7.4 V8 | S       |      | 8362   | 5560        |
| 1976-82 | K15/K1500 PICKUP   | 5.0 V8 | Q       |      | 8362 ☞ | 5554        |
| 1979-80 | K15/K1500 PICKUP   | 7.4 V8 | S       |      | 8362 ☞ | 5569        |
| 1983-85 | K15/K1500 PICKUP   | 5.0 V8 | H       |      |        | 5568        |
| 1983-85 | K15/K1500 PICKUP   | 5.7 V8 | L       |      | 8362 ☞ | 5568        |
| 1986    | K15/K1500 PICKUP   | 5.0 V8 | H       |      |        | 5562        |
| 1986    | K15/K1500 PICKUP   | 5.7 V8 | L       | 5526 |        | 5562        |
| 1968-73 | K15/K1500 SUBURBAN | 5.0 V8 | E       |      |        | 5565 ☞      |
| 1969-74 | K15/K1500 SUBURBAN | 5.7 V8 |         |      |        | 5565 ☞      |
| 1970-72 | K15/K1500 SUBURBAN | 6.6 V8 | E       |      |        | 5561        |
| 1975-79 | K15/K1500 SUBURBAN | 6.6 V8 | M       |      | 8362 ☞ | 5560        |
| 1975-82 | K15/K1500 SUBURBAN | 5.7 V8 | V       |      | 8362 ☞ | 5554        |
| 1976-82 | K15/K1500 SUBURBAN | 5.0 V8 | Q       |      | 8362 ☞ | 5554        |
| 1983-85 | K15/K1500 SUBURBAN | 5.0 V8 | F       |      |        | 5568        |
| 1983-85 | K15/K1500 SUBURBAN | 5.7 V8 | L       |      | 8362 ☞ | 5568        |
| 1986    | K15/K1500 SUBURBAN | 5.7 V8 | L       | 5526 |        | 5562        |
| 1988-95 | K1500 PICKUP       | 4.3 V6 | Z       | 5526 |        |             |
| 1988-95 | K1500 PICKUP       | 5.0 V8 | H       | 5526 |        | 5562        |
| 1988-95 | K1500 PICKUP       | 5.7 V8 | K       | 5526 |        | 5562        |
| 1992-95 | K1500 SUBURBAN     | 5.7 V8 | K       | 5526 |        | 5562        |
| 1967    | K25/K2500 PICKUP   | 4.6 V8 |         |      |        | 5561        |

☞ - Non Computer Controlled only

☞ - Wires Under Manf use 5564

## GMC (continued)

| YEAR    | MODEL              | ENGINE | ENG VIN | COIL | DIST.  | SF WIRE SET |
|---------|--------------------|--------|---------|------|--------|-------------|
| 1968-70 | K25/K2500 PICKUP   | 5.0 V8 | E       |      |        | 5565 ✕      |
| 1969-74 | K25/K2500 PICKUP   | 5.7 V8 | E       |      |        | 5565 ✕      |
| 1973-74 | K25/K2500 PICKUP   | 7.4 V8 | Z       |      |        | 5565 ✕      |
| 1975-80 | K25/K2500 PICKUP   | 6.6 V8 | M       |      | 8362 ☉ | 5560        |
| 1975-82 | K25/K2500 PICKUP   | 5.7 V8 | V       |      | 8362 ☉ | 5554        |
| 1976    | K25/K2500 PICKUP   | 7.4 V8 | Y       |      | 8362   | 5560        |
| 1977-78 | K25/K2500 PICKUP   | 5.0 V8 | U       |      | 8362   | 5554        |
| 1977-78 | K25/K2500 PICKUP   | 7.4 V8 | S       |      | 8362   | 5569        |
| 1983-85 | K25/K2500 PICKUP   | 5.7 V8 | L       |      | 8362 ☉ | 5568        |
| 1986    | K25/K2500 PICKUP   | 5.7 V8 | L       | 5526 |        | 5562        |
| 1968-73 | K25/K2500 SUBURBAN | 5.0 V8 | E       |      |        | 5565 ✕      |
| 1969-74 | K25/K2500 SUBURBAN | 5.7 V8 | E       |      |        | 5565 ✕      |
| 1975-80 | K25/K2500 SUBURBAN | 6.6 V8 | M       |      | 8362 ☉ | 5560        |
| 1975-82 | K25/K2500 SUBURBAN | 5.7 V8 | V       |      | 8362 ☉ | 5554        |
| 1977    | K25/K2500 SUBURBAN | 7.4 V8 | S       |      | 8362   | 5569        |
| 1977-78 | K25/K2500 SUBURBAN | 5.0 V8 | U       |      | 8362   | 5554        |
| 1983-85 | K25/K2500 SUBURBAN | 5.7 V8 | M       |      | 8362 ☉ | 5568        |
| 1986    | K25/K2500 SUBURBAN | 5.7 V8 | M       | 5526 |        | 5562        |
| 1988-95 | K2500 PICKUP       | 4.3 V6 | Z       | 5526 |        |             |
| 1988-95 | K2500 PICKUP       | 5.0 V8 | H       | 5526 |        | 5562        |
| 1988-95 | K2500 PICKUP       | 5.7 V8 | K       | 5526 |        | 5562        |
| 1991-95 | K2500 PICKUP       | 7.4 V8 | N       | 5526 |        | 5571        |
| 1992-95 | K2500 SUBURBAN     | 5.7 V8 | K       | 5526 |        | 5562        |
| 1992-95 | K2500 SUBURBAN     | 7.4 V8 | N       | 5526 |        | 5571        |
| 1968-73 | K35/K3500 PICKUP   | 5.0 V8 | E       |      |        | 5565 ✕      |
| 1969-74 | K35/K3500 PICKUP   | 5.7 V8 | E       |      |        | 5565 ✕      |
| 1970-71 | K35/K3500 PICKUP   | 6.6 V8 | E       |      |        | 5561        |
| 1973-74 | K35/K3500 PICKUP   | 7.4 V8 | Z       |      |        | 5565 ✕      |
| 1977-80 | K35/K3500 PICKUP   | 6.6 V8 | R       |      | 8362 ☉ | 5560        |
| 1977-85 | K35/K3500 PICKUP   | 5.7 V8 | L       |      | 8362 ☉ | 5554        |
| 1979-86 | K35/K3500 PICKUP   | 7.4 V8 | S       |      | 8362 ☉ | 5569        |
| 1986    | K35/K3500 PICKUP   | 5.7 V8 | M       | 5526 |        | 5562        |
| 1988-95 | K3500 PICKUP       | 5.7 V8 | K       | 5526 |        | 5562        |
| 1988-95 | K3500 PICKUP       | 7.4 V8 | N       | 5526 |        | 5569        |
| 1987    | R1500 PICKUP       | 4.3 V6 | Z       | 5526 |        |             |
| 1987    | R1500 PICKUP       | 5.0 V8 | H       | 5526 |        | 5562        |
| 1987    | R1500 PICKUP       | 5.7 V8 | K       | 5526 |        | 5562        |
| 1987    | R1500 SUBURBAN     | 5.0 V8 | H       | 5526 |        | 5562        |
| 1987-91 | R1500 SUBURBAN     | 5.7 V8 | K       | 5526 |        | 5562        |
| 1987    | R2500 PICKUP       | 4.3 V6 | Z       | 5526 |        |             |
| 1987    | R2500 PICKUP       | 5.0 V8 | H       | 5526 |        | 5562        |
| 1987-89 | R2500 PICKUP       | 5.7 V8 | K       | 5526 |        | 5562        |
| 1987-89 | R2500 PICKUP       | 7.4 V8 | N       | 5526 |        | 5569        |
| 1987-89 | R2500 SUBURBAN     | 7.4 V8 | N       | 5526 |        | 5569        |
| 1987-91 | R2500 SUBURBAN     | 5.7 V8 | K       | 5526 |        | 5562        |
| 1990-91 | R2500 SUBURBAN     | 7.4 V8 | N       | 5526 |        | 5571        |
| 1987-89 | R3500 PICKUP       | 7.4 V8 | N       | 5526 |        | 5569        |
| 1987-91 | R3500 PICKUP       | 5.7 V8 | K       | 5526 |        | 5562        |
| 1990-91 | R3500 PICKUP       | 7.4 V8 | N       | 5526 |        | 5571        |
| 1985-88 | S15 JIMMY          | 2.5 L4 | E       | 5526 |        |             |
| 1985-89 | S15 JIMMY          | 2.8 V6 | B       | 5526 |        |             |
| 1988-94 | S15 JIMMY          | 4.3 V6 | Z       | 5526 |        |             |
| 1985-90 | S15 PICKUP         | 2.5 L4 | E       | 5526 |        |             |
| 1985-90 | S15 PICKUP         | 2.8 V6 | B       | 5526 |        |             |
| 1988-90 | S15 PICKUP         | 4.3 V6 | Z       | 5526 |        |             |
| 1985-90 | SAFARI             | 2.5 L4 | E       | 5526 |        |             |
| 1986-95 | SAFARI             | 4.3 V6 | Z       | 5526 |        |             |

## GMC (continued)

| YEAR    | MODEL          | ENGINE | ENG VIN | COIL | DIST. | SF WIRE SET |
|---------|----------------|--------|---------|------|-------|-------------|
| 1991-93 | SONOMA         | 2.5 L4 | A       | 5526 |       |             |
| 1991-93 | SONOMA         | 2.8 V6 | R       | 5526 |       |             |
| 1991-95 | SONOMA         | 4.3 V6 | Z       | 5526 |       |             |
| 1971    | SPRINT         | 5.0 V8 |         |      |       | 5565 ✕      |
| 1971    | SPRINT         | 5.7 V8 |         |      |       | 5565 ✕      |
| 1971    | SPRINT         | 6.6 V8 |         |      |       | 5561        |
| 1971    | SPRINT         | 7.4 V8 |         |      |       | 5565 ✕      |
| 1972    | SPRINT         | 5.0 V8 |         |      |       | 5565 ✕      |
| 1972    | SPRINT         | 5.7 V8 | H       |      |       | 5565 ✕      |
| 1972    | SPRINT         | 5.7 V8 | J       |      |       | 5565 ✕      |
| 1972    | SPRINT         | 5.7 V8 | H       |      |       | 5565 ✕      |
| 1972    | SPRINT         | 5.7 V8 | J       |      |       | 5565 ✕      |
| 1972    | SPRINT         | 6.6 V8 |         |      |       | 5561        |
| 1972    | SPRINT         | 7.4 V8 | W       |      |       | 5565 ✕      |
| 1973    | SPRINT         | 5.0 V8 | F       |      |       | 5565 ✕      |
| 1973    | SPRINT         | 5.7 V8 | H       |      |       | 5565 ✕      |
| 1973    | SPRINT         | 5.7 V8 | K       |      |       | 5565 ✕      |
| 1973    | SPRINT         | 5.7 V8 | H       |      |       | 5565 ✕      |
| 1973    | SPRINT         | 5.7 V8 | K       |      |       | 5565 ✕      |
| 1973    | SPRINT         | 7.4 V8 | Y       |      |       | 5565 ✕      |
| 1973    | SPRINT         | 7.4 V8 | Y       |      |       | 5565 ✕      |
| 1973    | SPRINT         | 7.4 V8 | Y       |      |       | 5565 ✕      |
| 1974    | SPRINT         | 5.7 V8 | H       |      |       | 5565 ✕      |
| 1974    | SPRINT         | 5.7 V8 | L       |      |       | 5565 ✕      |
| 1974    | SPRINT         | 5.7 V8 | H       |      |       | 5565 ✕      |
| 1974    | SPRINT         | 5.7 V8 | L       |      |       | 5565 ✕      |
| 1974    | SPRINT         | 6.6 V8 | U       |      |       | 5561        |
| 1974    | SPRINT         | 6.6 V8 | R       |      |       | 5561        |
| 1974    | SPRINT         | 6.6 V8 | U       |      |       | 5561        |
| 1974    | SPRINT         | 7.4 V8 | Y       |      |       | 5565 ✕      |
| 1974    | SPRINT         | 7.4 V8 | Y       |      |       | 5565 ✕      |
| 1975    | SPRINT         | 5.7 V8 | H       |      | 8362  | 5554        |
| 1975    | SPRINT         | 5.7 V8 | L       |      | 8362  | 5554        |
| 1975    | SPRINT         | 5.7 V8 | H       |      | 8362  | 5554        |
| 1975    | SPRINT         | 5.7 V8 | L       |      | 8362  | 5554        |
| 1975    | SPRINT         | 6.6 V8 | U       |      | 8362  | 5560        |
| 1975    | SPRINT         | 6.6 V8 | U       |      | 8362  | 5560        |
| 1975    | SPRINT         | 7.4 V8 | Y       |      | 8362  | 5560        |
| 1976    | SPRINT         | 5.0 V8 | Q       |      | 8362  | 5554        |
| 1976    | SPRINT         | 5.0 V8 | Q       |      | 8362  | 5554        |
| 1976    | SPRINT         | 5.7 V8 | L       |      | 8362  | 5554        |
| 1976    | SPRINT         | 5.7 V8 | V       |      | 8362  | 5554        |
| 1976    | SPRINT         | 5.7 V8 | L       |      | 8362  | 5554        |
| 1976    | SPRINT         | 5.7 V8 | V       |      | 8362  | 5554        |
| 1976    | SPRINT         | 6.6 V8 | U       |      | 8362  | 5560        |
| 1976    | SPRINT         | 6.6 V8 | U       |      | 8362  | 5560        |
| 1977    | SPRINT         | 5.0 V8 | U       |      | 8362  | 5554        |
| 1977    | SPRINT         | 5.0 V8 | U       |      | 8362  | 5554        |
| 1977    | SPRINT         | 5.7 V8 | L       |      | 8362  | 5554        |
| 1977    | SPRINT         | 5.7 V8 | L       |      | 8362  | 5554        |
| 1991    | SYCLONE        | 4.3 V6 | Z       | 5526 |       |             |
| 1992-93 | TYPHOON        | 4.3 V6 | Z       | 5526 |       |             |
| 1987    | V1500 PICKUP   | 4.3 V6 | Z       | 5526 |       |             |
| 1987    | V1500 PICKUP   | 5.0 V8 | H       | 5526 |       | 5562        |
| 1987    | V1500 PICKUP   | 5.7 V8 | K       | 5526 |       | 5562        |
| 1987-91 | V1500 SUBURBAN | 5.7 V8 | K       | 5526 |       | 5562        |
| 1987    | V2500 PICKUP   | 5.7 V8 | K       | 5526 |       | 5562        |
| 1987-91 | V2500 SUBURBAN | 5.7 V8 | K       | 5526 |       | 5562        |

## GMC (continued)

| YEAR    | MODEL        | ENGINE | ENG VIN | COIL | DIST. | SF WIRE SET |
|---------|--------------|--------|---------|------|-------|-------------|
| 1987-89 | V3500 PICKUP | 7.4 V8 | N       | 5526 |       | 5569        |
| 1987-91 | V3500 PICKUP | 5.7 V8 | K       | 5526 |       | 5562        |
| 1990-91 | V3500 PICKUP | 7.4 V8 | N       | 5526 |       | 5571        |
| 1992-95 | YUKON        | 5.7 V8 | K       | 5526 |       | 5562        |

## LINCOLN

| YEAR    | MODEL       | ENGINE | ENG VIN | COIL | DIST. | SF WIRE SET |
|---------|-------------|--------|---------|------|-------|-------------|
| 1983    | CONTINENTAL | 5.0 V8 | F       |      |       | 5541        |
| 1984-87 | CONTINENTAL | 5.0 V8 | F       | 5527 |       | 5541        |
| 1988-94 | CONTINENTAL | 3.8 V6 | 4       | 5527 |       |             |
| 1983    | MARK VI     | 5.0 V8 | F       |      |       | 5541        |
| 1984-92 | MARK VII    | 5.0 V8 | F       | 5527 |       | 5541        |
| 1983    | TOWN CAR    | 5.0 V8 | F       |      |       | 5541        |
| 1984-90 | TOWN CAR    | 5.0 V8 | F       | 5527 |       | 5541        |

## MERCURY

| YEAR    | MODEL         | ENGINE | ENG VIN | COIL | DIST. | SF WIRE SET |
|---------|---------------|--------|---------|------|-------|-------------|
| 1979-85 | CAPRI         | 5.0 V8 | F       |      |       | 5541        |
| 1983-86 | CAPRI         | 2.3 L4 | W       | 5527 |       |             |
| 1984-86 | CAPRI         | 3.8 V6 | 3       | 5527 |       |             |
| 1984-86 | CAPRI         | 5.0 V8 | F       | 5527 |       | 5541        |
| 1979-82 | COLONY PARK   | 5.0 V8 | F       |      |       | 5541        |
| 1984-91 | COLONY PARK   | 5.0 V8 | F       | 5527 |       | 5541        |
| 1968-74 | COMET         | 5.0 V8 | F       |      |       | 5543        |
| 1975-77 | COMET         | 5.0 V8 | F       |      |       | 5541        |
| 1968-70 | COUGAR        | 5.0 V8 | F       |      |       | 5543        |
| 1977-83 | COUGAR        | 5.0 V8 | F       |      |       | 5541        |
| 1984-86 | COUGAR        | 2.3 L4 | W       | 5527 |       |             |
| 1984-93 | COUGAR        | 5.0 V8 | F       | 5527 |       | 5541        |
| 1984-95 | COUGAR        | 3.8 V6 | 3       | 5527 |       |             |
| 1968-70 | CYCLONE       | 5.0 V8 | F       |      |       | 5543        |
| 1979-83 | GRAND MARQUIS | 5.0 V8 | F       |      |       | 5541        |
| 1984-91 | GRAND MARQUIS | 5.0 V8 | F       | 5527 |       | 5541        |
| 1983    | LN7           | 1.6 L4 | 4       | 5527 |       |             |
| 1983-87 | LYNX          | 1.6 L4 | 2       | 5527 |       |             |
| 1979-82 | MARQUIS       | 5.0 V8 | F       |      |       | 5541        |
| 1984-86 | MARQUIS       | 3.8 V6 | 3       | 5527 |       |             |
| 1985    | MARQUIS       | 5.0 V8 | M       | 5527 |       | 5541        |
| 1985-86 | MARQUIS       | 2.3 L4 | A       | 5527 |       |             |
| 1975-80 | MONARCH       | 5.0 V8 | F       |      |       | 5541        |
| 1968-74 | MONTEGO       | 5.0 V8 | F       |      |       | 5543        |
| 1986    | SABLE         | 2.5 L4 | D       | 5527 |       |             |
| 1986-95 | SABLE         | 3.0 V6 | U       | 5527 |       |             |
| 1988-95 | SABLE         | 3.8 V6 | 4       | 5527 |       |             |
| 1985-94 | TOPAZ         | 2.3 L4 | S       | 5527 |       |             |
| 1978-79 | ZEPHYR        | 5.0 V8 | F       |      |       | 5541        |

## OLDSMOBILE

| YEAR    | MODEL   | ENGINE | ENG VIN | COIL | DIST. | SF WIRE SET |
|---------|---------|--------|---------|------|-------|-------------|
| 1991-94 | BRAVADA | 4.3 V6 | Z       | 5526 |       |             |
| 1985-86 | CALAIS  | 2.5 L4 | U       | 5526 |       |             |

## OLDSMOBILE (continued)

| YEAR    | MODEL           | ENGINE | ENG VIN | COIL | DIST. | SF WIRE SET |
|---------|-----------------|--------|---------|------|-------|-------------|
| 1991-92 | CUSTOM CRUISER  | 5.0 V8 | E       | 5526 |       |             |
| 1992    | CUSTOM CRUISER  | 5.7 V8 | 7       | 5526 |       |             |
| 1974-76 | CUTLASS         | 7.5 V8 | U       |      |       | 5560        |
| 1974-80 | CUTLASS         | 5.7 V8 | K       |      |       | 5560        |
| 1975-76 | CUTLASS         | 4.1 L6 | D       |      |       | 5560        |
| 1975-81 | CUTLASS         | 4.3 V8 | F       |      |       | 5560        |
| 1977    | CUTLASS         | 6.6 V8 | K       |      |       | 5560        |
| 1978-82 | CUTLASS CALAIS  | 4.3 V8 | F       |      |       | 5560        |
| 1978-84 | CUTLASS CALAIS  | 5.0 V8 | H       |      |       | 5560        |
| 1979-80 | CUTLASS CALAIS  | 5.7 V8 | R       |      |       | 5560        |
| 1985-86 | CUTLASS CIERA   | 2.5 L4 | R       | 5526 |       |             |
| 1985-86 | CUTLASS CIERA   | 2.8 V6 | X       | 5526 |       |             |
| 1978-80 | CUTLASS CRUISER | 5.7 V8 | L       |      |       | 5560        |
| 1978-82 | CUTLASS CRUISER | 4.3 V8 | F       |      |       | 5560        |
| 1974-76 | CUTLASS SUPREME | 7.5 V8 | U       |      |       | 5560        |
| 1974-80 | CUTLASS SUPREME | 5.7 V8 | K       |      |       | 5560        |
| 1975    | CUTLASS SUPREME | 4.1 L6 | D       |      |       | 5560        |
| 1975-82 | CUTLASS SUPREME | 4.3 V8 | F       |      |       | 5560        |
| 1977    | CUTLASS SUPREME | 6.6 V8 | K       |      |       | 5560        |
| 1974-76 | DELTA 88        | 7.5 V8 | R       |      |       | 5560        |
| 1974-80 | DELTA 88        | 5.7 V8 | K       |      |       | 5560        |
| 1975-79 | DELTA 88        | 6.6 V8 | R       |      |       | 5560        |
| 1977-82 | DELTA 88        | 4.3 V8 | F       |      |       | 5560        |
| 1979    | DELTA 88        | 4.9 V8 | Y       |      |       | 5560        |
| 1979    | DELTA 88        | 4.9 V8 | Y       |      |       | 5560        |
| 1985-86 | FIRENZA         | 2.0 L4 | P       | 5526 |       |             |
| 1985-86 | FIRENZA         | 2.8 V6 | W       | 5526 |       |             |
| 1986    | FIRENZA         | 1.8 L4 | O       | 5526 |       |             |
| 1987    | FIRENZA         | 2.0 L4 | K       | 5526 |       |             |
| 1990-93 | SILHOUETTE      | 3.1 V6 | D       | 5526 |       |             |
| 1974-76 | TORONADO        | 7.5 V8 | W       |      |       | 5560        |
| 1977-78 | TORONADO        | 6.6 V8 | K       |      |       | 5560        |
| 1977-80 | TORONADO        | 5.7 V8 | R       |      |       | 5560        |

## PLYMOUTH

| YEAR    | MODEL     | ENGINE | ENG VIN | COIL | DIST. | SF WIRE SET |
|---------|-----------|--------|---------|------|-------|-------------|
| 1964-74 | BARRACUDA | 5.9 V8 |         |      |       | 5530        |
| 1967-71 | BARRACUDA | 6.3 V8 | H       |      |       | 5531        |
| 1968-73 | BARRACUDA | 5.6 V8 | P       |      |       | 5530        |
| 1968-74 | BARRACUDA | 5.2 V8 | F       |      |       | 5530        |
| 1960-65 | BELVEDERE | 5.9 V8 |         |      |       | 5530        |
| 1960-70 | BELVEDERE | 5.2 V8 |         |      |       | 5530        |
| 1960-70 | BELVEDERE | 6.3 V8 |         |      |       | 5531        |
| 1963-67 | BELVEDERE | 7.0 V8 |         |      |       | 5531        |
| 1966-67 | BELVEDERE | 7.2 V8 |         |      |       | 5531        |
| 1970-71 | CUDA      | 6.3 V8 | N       |      |       | 5531        |
| 1970-71 | CUDA      | 7.0 V8 | R       |      |       | 5531        |
| 1970-71 | CUDA      | 7.2 V8 | U       |      |       | 5531        |
| 1970-73 | CUDA      | 5.6 V8 | H       |      |       | 5530        |
| 1972-74 | CUDA      | 5.2 V8 | G       |      |       | 5530        |
| 1974    | CUDA      | 5.9 V8 | L       |      |       | 5530        |
| 1960-61 | CUSTOM    | 5.9 V8 |         |      |       | 5530        |
| 1960-61 | CUSTOM    | 6.3 V8 |         |      |       | 5531        |
| 1970-73 | DUSTER    | 5.6 V8 | H       |      |       | 5530        |
| 1970-76 | DUSTER    | 5.2 V8 | G       |      |       | 5530        |

Ⓢ - Non Computer Controlled only

⌘ - Wires Under Manf use 5564

## PLYMOUTH (continued)

| YEAR    | MODEL         | ENGINE | ENG VIN | COIL | DIST. | SF WIRE SET |
|---------|---------------|--------|---------|------|-------|-------------|
| 1974-76 | DUSTER        | 5.9 V8 | L       |      |       | 5530        |
| 1960-63 | FLEET SPECIAL | 5.2 V8 |         |      |       | 5530        |
| 1960-63 | FLEET SPECIAL | 5.9 V8 |         |      |       | 5530        |
| 1960-63 | FLEET SPECIAL | 6.3 V8 |         |      |       | 5531        |
| 1963    | FLEET SPECIAL | 7.0 V8 |         |      |       | 5531        |
| 1960-71 | FURY          | 6.3 V8 |         |      |       | 5531        |
| 1960-78 | FURY          | 5.2 V8 |         |      |       | 5530        |
| 1960-78 | FURY          | 5.9 V8 |         |      |       | 5530        |
| 1963-66 | FURY          | 7.0 V8 |         |      |       | 5531        |
| 1967-78 | FURY          | 7.2 V8 | K       |      |       | 5531        |
| 1972-78 | FURY          | 6.6 V8 | M       |      |       | 5531        |
| 1968-71 | FURY I        | 6.3 V8 | G       |      |       | 5531        |
| 1968-73 | FURY I        | 5.2 V8 | F       |      |       | 5530        |
| 1968-73 | FURY I        | 7.2 V8 | K       |      |       | 5531        |
| 1971-74 | FURY I        | 5.9 V8 | K       |      |       | 5530        |
| 1972-74 | FURY I        | 6.6 V8 | M       |      |       | 5531        |
| 1968-71 | FURY II       | 6.3 V8 | G       |      |       | 5531        |
| 1968-73 | FURY II       | 5.2 V8 | F       |      |       | 5530        |
| 1968-74 | FURY II       | 7.2 V8 | K       |      |       | 5531        |
| 1971-74 | FURY II       | 5.9 V8 | K       |      |       | 5530        |
| 1972-74 | FURY II       | 6.6 V8 | M       |      |       | 5531        |
| 1968-71 | FURY III      | 6.3 V8 | G       |      |       | 5531        |
| 1968-73 | FURY III      | 5.2 V8 | F       |      |       | 5530        |
| 1968-74 | FURY III      | 7.2 V8 | L       |      |       | 5531        |
| 1971-74 | FURY III      | 5.9 V8 | K       |      |       | 5530        |
| 1972-74 | FURY III      | 6.6 V8 | M       |      |       | 5531        |
| 1972-77 | GRAN FURY     | 6.6 V8 | M       |      |       | 5531        |
| 1972-77 | GRAN FURY     | 7.2 V8 | T       |      |       | 5531        |
| 1972-80 | GRAN FURY     | 5.9 V8 | K       |      |       | 5530        |
| 1972-89 | GRAN FURY     | 5.2 V8 | G       |      |       | 5530        |
| 1967-68 | GTX           | 5.2 V8 |         |      |       | 5530        |
| 1967-68 | GTX           | 6.3 V8 |         |      |       | 5531        |
| 1967-71 | GTX           | 7.0 V8 |         |      |       | 5531        |
| 1967-71 | GTX           | 7.2 V8 |         |      |       | 5531        |
| 1974-78 | PB100 VAN     | 5.9 V8 | F       |      |       | 5530        |
| 1974-80 | PB100 VAN     | 5.2 V8 | E       |      |       | 5530        |
| 1981-83 | PB150 VAN     | 5.2 V8 | P       |      |       | 5530        |
| 1974-80 | PB200 VAN     | 5.2 V8 | E       |      |       | 5530        |
| 1974-80 | PB200 VAN     | 5.9 V8 | F       |      |       | 5530        |
| 1976-78 | PB200 VAN     | 6.6 V8 | J       |      |       | 5531        |
| 1976-78 | PB200 VAN     | 7.2 V8 | D       |      |       | 5531        |
| 1981    | PB250 VAN     | 5.9 V8 | T       |      |       | 5530        |
| 1981-83 | PB250 VAN     | 5.2 V8 | P       |      |       | 5530        |
| 1974-80 | PB300 VAN     | 5.2 V8 | E       |      |       | 5530        |
| 1974-80 | PB300 VAN     | 5.9 V8 | F       |      |       | 5530        |
| 1976-78 | PB300 VAN     | 6.6 V8 | J       |      |       | 5531        |
| 1976-78 | PB300 VAN     | 7.2 V8 | D       |      |       | 5531        |
| 1981-83 | PB350 VAN     | 5.2 V8 | P       |      |       | 5530        |
| 1981-83 | PB350 VAN     | 5.9 V8 | T       |      |       | 5530        |
| 1968-71 | ROADRUNNER    | 6.3 V8 | G       |      |       | 5531        |
| 1968-71 | ROADRUNNER    | 7.0 V8 | J       |      |       | 5531        |
| 1968-75 | ROADRUNNER    | 5.2 V8 | F       |      |       | 5530        |
| 1969-74 | ROADRUNNER    | 7.2 V8 | M       |      |       | 5531        |
| 1971-73 | ROADRUNNER    | 5.6 V8 | H       |      |       | 5530        |
| 1972-75 | ROADRUNNER    | 6.6 V8 | P       |      |       | 5531        |
| 1974-75 | ROADRUNNER    | 5.9 V8 | L       |      |       | 5530        |

## PLYMOUTH (continued)

| YEAR    | MODEL       | ENGINE | ENG VIN | COIL | DIST. | SF WIRE SET |
|---------|-------------|--------|---------|------|-------|-------------|
| 1965-67 | SATELLITE   | 7.0 V8 |         |      |       | 5531        |
| 1965-71 | SATELLITE   | 6.3 V8 |         |      |       | 5531        |
| 1965-74 | SATELLITE   | 5.2 V8 |         |      |       | 5530        |
| 1966-74 | SATELLITE   | 7.2 V8 |         |      |       | 5531        |
| 1972    | SATELLITE   | 5.6 V8 | H       |      |       | 5530        |
| 1972-74 | SATELLITE   | 6.6 V8 | M       |      |       | 5531        |
| 1974    | SATELLITE   | 5.9 V8 | J       |      |       | 5530        |
| 1960-64 | SAVOY       | 5.2 V8 |         |      |       | 5530        |
| 1960-64 | SAVOY       | 5.9 V8 |         |      |       | 5530        |
| 1960-64 | SAVOY       | 6.3 V8 |         |      |       | 5531        |
| 1963-64 | SAVOY       | 7.0 V8 |         |      |       | 5531        |
| 1971-76 | SCAMP       | 5.2 V8 | G       |      |       | 5530        |
| 1960-61 | SPORT WAGON | 5.2 V8 |         |      |       | 5530        |
| 1960-61 | SPORT WAGON | 5.9 V8 |         |      |       | 5530        |
| 1960-61 | SPORT WAGON | 6.3 V8 |         |      |       | 5531        |
| 1960-61 | SUBURBAN    | 5.2 V8 |         |      |       | 5530        |
| 1960-61 | SUBURBAN    | 5.9 V8 |         |      |       | 5530        |
| 1960-61 | SUBURBAN    | 6.3 V8 |         |      |       | 5531        |
| 1970    | SUPERBIRD   | 7.2 V8 | U       |      |       | 5531        |
| 1974-78 | TRAILDUSTER | 7.2 V8 | D       |      |       | 5531        |
| 1974-81 | TRAILDUSTER | 5.2 V8 | E       |      |       | 5530        |
| 1974-81 | TRAILDUSTER | 5.9 V8 | F       |      |       | 5530        |
| 1976-78 | TRAILDUSTER | 6.6 V8 | J       |      |       | 5531        |
| 1968-76 | VALIANT     | 5.2 V8 | F       |      |       | 5530        |
| 1976    | VALIANT     | 5.9 V8 | L       |      |       | 5530        |
| 1967    | VIP         | 5.2 V8 |         |      |       | 5530        |
| 1967    | VIP         | 6.3 V8 |         |      |       | 5531        |
| 1967    | VIP         | 7.2 V8 |         |      |       | 5531        |
| 1976-80 | VOLARE      | 5.2 V8 | G       |      |       | 5530        |
| 1976-80 | VOLARE      | 5.9 V8 | K       |      |       | 5530        |

## PONTIAC

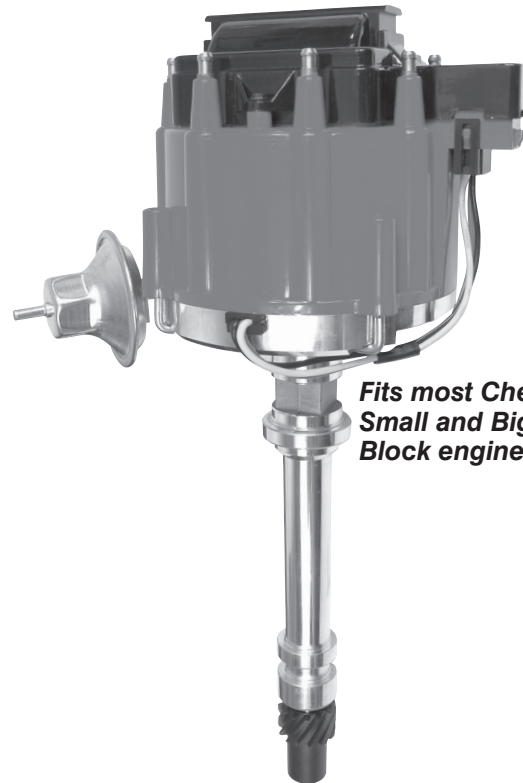
| YEAR    | MODEL        | ENGINE | ENG VIN | COIL | DIST. | SF WIRE SET |
|---------|--------------|--------|---------|------|-------|-------------|
| 1983-86 | 6000         | 2.8 V6 | X       | 5526 |       |             |
| 1985-86 | 6000         | 2.5 L4 | R       | 5526 |       |             |
| 1977-80 | BONNEVILLE   | 4.9 V8 | Y       |      |       | 5560        |
| 1980-81 | BONNEVILLE   | 4.3 V8 | S       |      |       | 5560        |
| 1986    | BONNEVILLE   | 4.3 V6 | Z       | 5526 |       |             |
| 1977-80 | CATALINA     | 4.9 V8 | Y       |      |       | 5560        |
| 1980-81 | CATALINA     | 4.3 V8 | S       |      |       | 5560        |
| 1985-86 | FIERO        | 2.5 L4 | R       | 5526 |       |             |
| 1985-88 | FIERO GT     | 2.8 V6 | 9       | 5526 |       |             |
| 1977-81 | FIREBIRD     | 4.9 V8 | Y       |      |       | 5560        |
| 1981    | FIREBIRD     | 4.3 V8 | S       |      |       | 5560        |
| 1985-86 | FIREBIRD     | 2.5 L4 | 2       | 5526 |       |             |
| 1985-89 | FIREBIRD     | 2.8 V6 | S       | 5526 |       |             |
| 1987-92 | FIREBIRD     | 5.0 V8 | F       | 5526 |       |             |
| 1987-95 | FIREBIRD     | 5.7 V8 | 8       | 5526 |       | 5560        |
| 1990-92 | FIREBIRD     | 3.1 V6 | T       | 5526 |       |             |
| 1978-80 | GRAND AM     | 4.9 V8 | W       |      |       | 5560        |
| 1985-86 | GRAND AM     | 2.5 L4 | U       | 5526 |       |             |
| 1987-89 | GRAND AM     | 2.0 L4 | M       | 5526 |       |             |
| 1976-81 | GRAND LEMANS | 4.3 V8 | F       |      |       | 5560        |

## PONTIAC (continued)

| YEAR    | MODEL        | ENGINE | ENG VIN | COIL | DIST. | SF WIRE SET |
|---------|--------------|--------|---------|------|-------|-------------|
| 1977-81 | GRAND LEMANS | 4.9 V8 | Y       |      |       | 5560        |
| 1977-80 | GRAND PRIX   | 4.9 V8 | Y       |      |       | 5560        |
| 1980-81 | GRAND PRIX   | 4.3 V8 | S       |      |       | 5560        |
| 1986-87 | GRAND PRIX   | 4.3 V6 | Z       | 5526 |       |             |
| 1987    | GRAND PRIX   | 5.0 V8 | H       | 5526 |       |             |
| 1977    | GRAND SAFARI | 4.9 V8 | Y       |      |       | 5560        |
| 1976-81 | LEMANS       | 4.3 V8 | F       |      |       | 5560        |
| 1977-81 | LEMANS       | 4.9 V8 | Y       |      |       | 5560        |
| 1988-93 | LEMANS       | 1.6 L4 | 6       | 5526 |       |             |
| 1989-90 | LEMANS       | 2.0 L4 | K       | 5526 |       |             |
| 1985-86 | PARISIENNE   | 4.3 V6 | Z       | 5526 |       |             |
| 1985-86 | SUNBIRD      | 1.8 L4 | J       | 5526 |       |             |
| 1985-91 | SUNBIRD      | 2.0 L4 | P       | 5526 |       |             |
| 1985-87 | T1000        | 1.6 L4 | C       | 5526 |       |             |
| 1990-93 | TRANS SPORT  | 3.1 V6 | D       | 5526 |       |             |
| 1975-76 | VENTURA      | 4.3 V8 | F       |      |       | 5560        |
| 1977    | VENTURA      | 4.9 V8 | Y       |      |       | 5560        |

## STREET FIRE HEI DISTRIBUTOR

Street Fire is the value-line brand of MSD Ignition. Street Fire components offer a quality designed alternative to the bottom bargain parts that are springing up all over. We're so assured with the quality of our new Street Fire HEI Distributor that we provide a one year warranty with it!



*Fits most Chevy Small and Big Block engines.*

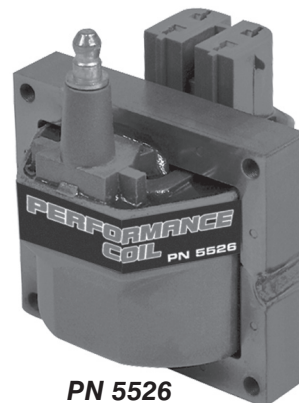
## STREET FIRE SPARK PLUG WIRES



- 500 ohms per foot resistance for improved spark delivery and power
- Helically wound conductor suppresses electro and radio noise
- 8mm silicone and synthetic jacket resists heat and abrasion
- Silicone boots protect against high exhaust temps

## STREET FIRE COILS

- Increased turns ratio combined with lower primary resistance
- More output voltage than OEM
- Factory style housing for a direct plug-in
- Will work with stock ignition system and MSD equipped vehicles



PN 5526



PN 5527

DODGE  
BUICK  
OLDSMOBILE  
FORD  
PONTIAC  
GMC  
CHEVY  
PLYMOUTH  
LINCOLN  
DODGE  
MERCURY



MSD Technicians: **915 855-7123**  
MSD Customer Service: **1 (888) MSD-7859**  
**[www.msdition.com](http://www.msdition.com)**

© 2007 Autotronic Controls Corporation  
Created 08/07

Printed in U.S.A.