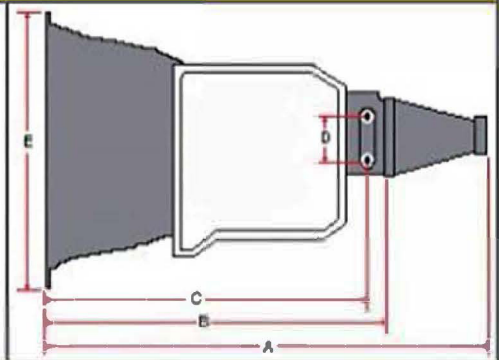


Application	A	B	C	D	E	Input Shaft Spline	Output Shaft		
							Size (O.D.)	Spline	
<b>TH350</b> • 555-60300 & 555-60305									
Chevy / BOP with 6" Tailshaft	27-11/16"	21-5/8"	20-3/8"	3-3/4"	19-1/8"	30	1.172"	27	
<b>TH700-R4</b> • 555-60320									
1984-91 Chevy V8 (except Corvette)	30-3/4"	23-3/8"	22-1/2"	3-3/4"	20"	30	1.172"	27	
<b>TH200-4R</b> • 555-60306									
All	27-11/16"	N/A	27"	3-3/4"	19-1/8"	30	1.172"	27	
<b>4L60E</b> • 555-603010									
1996-Up Chevy V8 (except Corvette & LS1/LS2)	30-3/4"	23-3/16"	21-3/4"	3-3/4"	18-1/4"	30	N/A	27	

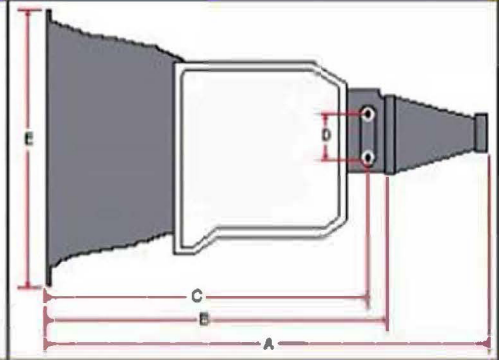
**4L60E/4L70E**  
 • 555-603015, 555-603020, 555-603025, 555-603026 & 555-603234

1998-Up Chevy V8 (LS1/LS2-style)	31-5/32"	23-9/32"	21-3/4"	3-3/4"	18-1/4"	30	N/A	27
-------------------------------------	----------	----------	---------	--------	---------	----	-----	----



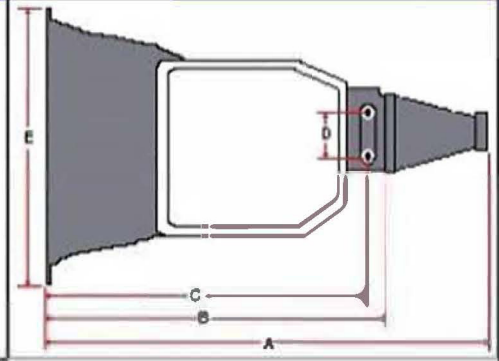
**4L65E**  
 • 555-603022 & 555-603024

2007-2008 Chevy V8 (LS-style)	31-5/32"	23-9/32"	21-3/4"	3-3/4"	18-1/4"	30	N/A	27
----------------------------------	----------	----------	---------	--------	---------	----	-----	----



**4L80E**  
 • 555-60325, 555-60327, 555-60328 & 555-603052

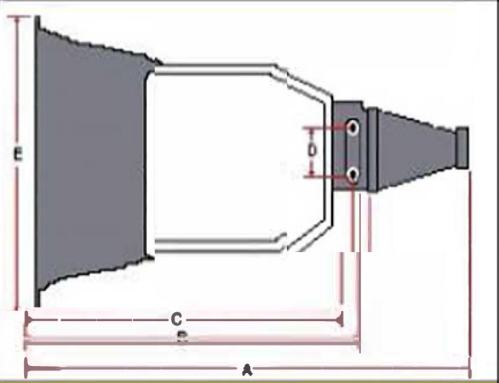
4 x 4	29"	30-3/8"	26"	N/A"	20	30	1.375"	31
-------	-----	---------	-----	------	----	----	--------	----



Standard 2WD	32-11/16"	30-3/8"	26"	4-1/4"	20	30	1.375"	31
--------------	-----------	---------	-----	--------	----	----	--------	----

**AOD**  
 • 555-603405

Small Block	30-3/8"	22-5/16"	20-3/16"	5-5/16"	19-9/16"	31	1.180"	28
-------------	---------	----------	----------	---------	----------	----	--------	----



4R70W/4R75W

• 555-603030, 555-603032, 555-603040 & 555-603042

Small Block

31-3/16"

23-5/16"

21"

5-5/16"

19-3/8"

35

1.180"

28

