

# Installation Instructions for 80385 Adjustable Tire Rack

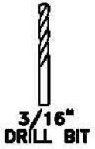
## TOOLS REQUIRED



POWER DRILL



10mm WRENCH OR 10mm SOCKET



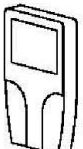
3/16" DRILL BIT



6mm ALLEN WRENCH



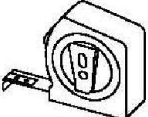
PENCIL



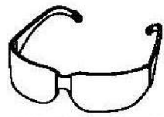
STUD FINDER



LEVEL



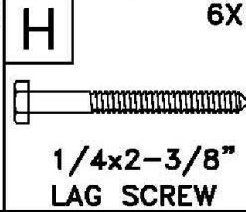
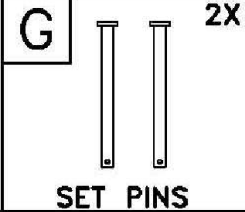
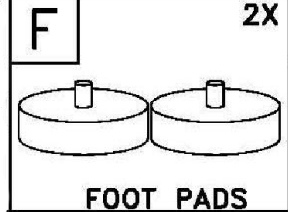
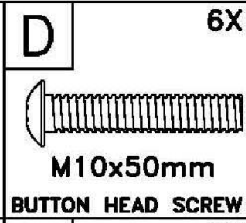
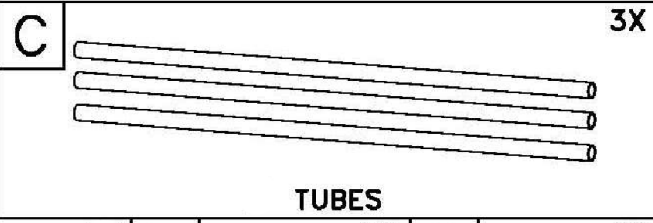
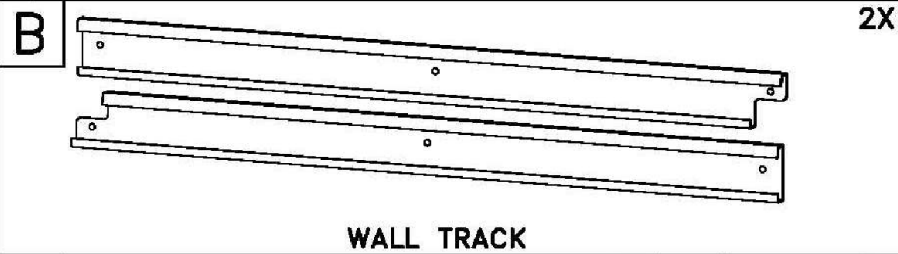
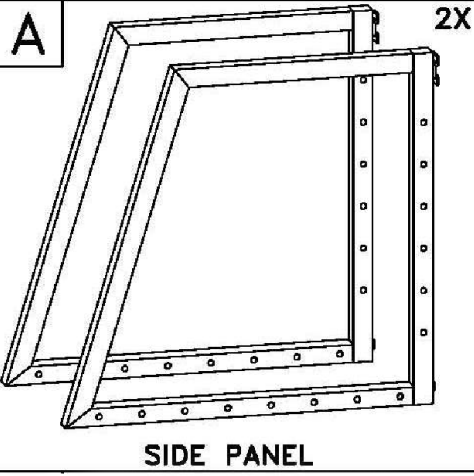
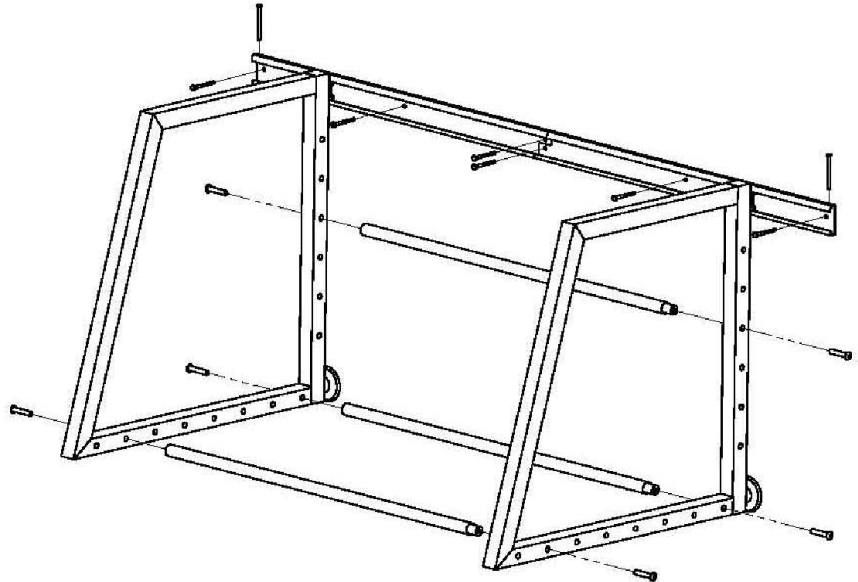
TAPE MEASURE



EYE PROTECTION



LADDER OR STEP STOOL



1-800-345-4545 [jegs.com](http://jegs.com)

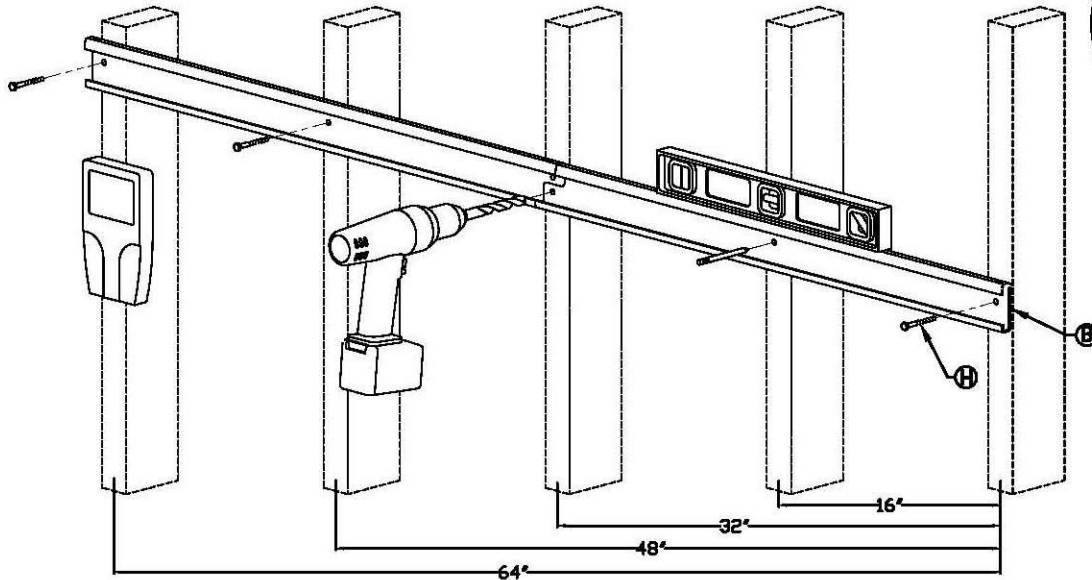
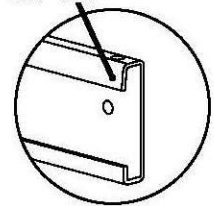
## 1 MOUNTING THE WALL TRACK

### ITEMS NEEDED IN THIS STEP:

- (2X) ITEM B ==> WALL TRACK
- (6X) ITEM H ==> LAG SCREW

- 1). USE A STUD FINDER TO LOCATE THE WALL STUDS.
  - 2). PLACE WALL TRACK (B) WITH HOLES ALIGNED TO STUDS AND VERIFY THE TRACK IS LEVEL.
  - 3). MARK THE HOLE LOCATIONS WITH A PENCIL.
  - 4). PRE-DRILL THE HOLES USING A  $\frac{3}{16}$ " DRILL BIT.
  - 5). MOUNT THE WALL TRACK (B) WITH 6 LAG SCREWS (H) USING A 10mm WRENCH OR SOCKET.
- NOTE: TRACK IS PRE-DRILLED FOR WALL STUDS THAT ARE ON 16" CENTERS.

LONGER LIP  
ON TOP

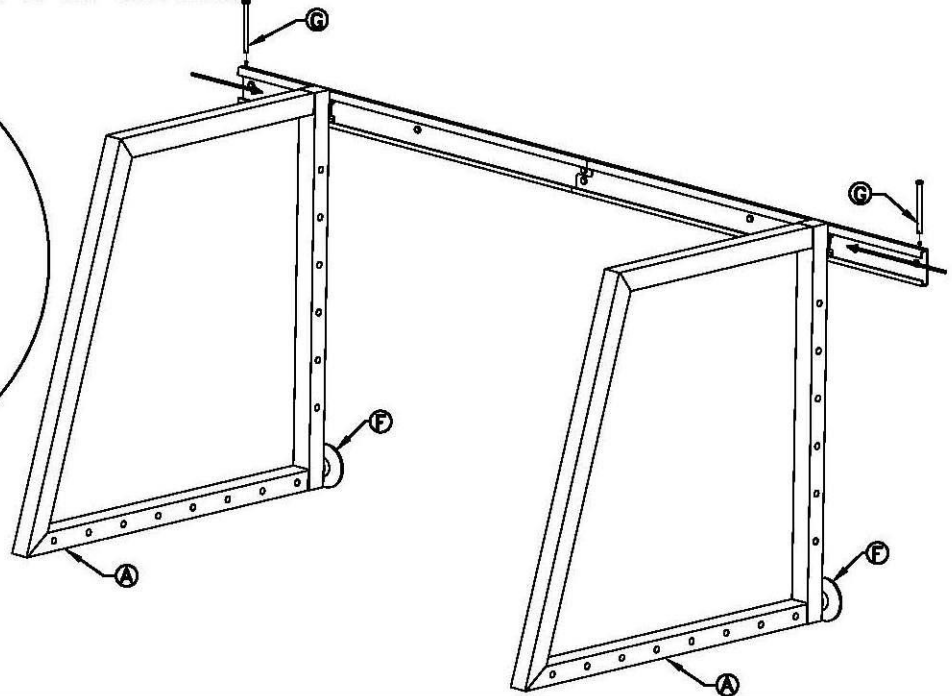
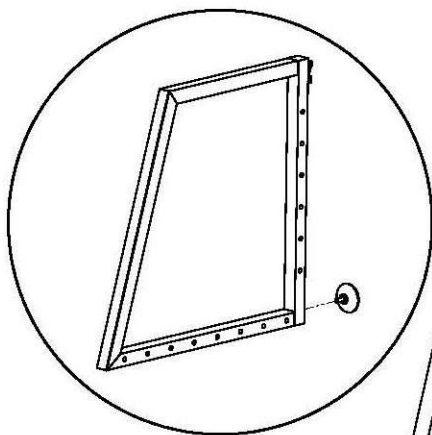


## 2 ASSEMBLE THE SIDE PANELS

### ITEMS NEEDED IN THIS STEP:

- (2X) ITEM A ==> SIDE PANEL
- (2X) ITEM F ==> FOOT PADS
- (2X) ITEM G ==> SET PINS

- 1). SCREW IN BOTH FOOT PADS TO THE SIDE PANELS.
- 2). SLIDE BRACKET THAT IS ATTACHED TO THE SIDE PANEL INTO THE WALL TRACK.
- 3). INSERT SET PINS ON BOTH ENDS OF THE WALL TRACK.



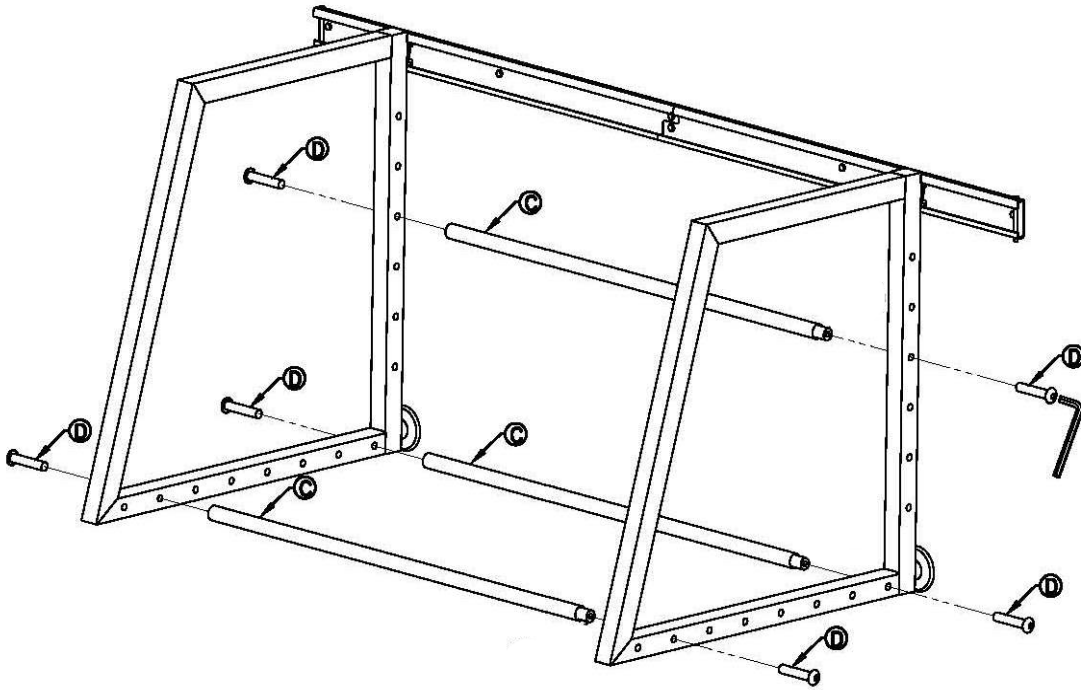
3

**INSTALL THE SHELF TUBES**

**ITEMS NEEDED IN THIS STEP:**

- (3X) ITEM C ==> 1" TUBES
- (6X) ITEM D ==> BUTTON HEAD SCREW

1). USE THE BUTTON HEAD SCREWS (D) TO ATTACH THE TUBES TO THE SIDE PANELS.  
NOTE: MEASURE THE TIRE DIAMETER AND POSITION THE RODS ACCORDINGLY.



4

**INSTALLATION COMPLETE**



**EACH TIRE RACK CAN HOLD A MAXIMUM OF 400 lbs. BE SURE TO DISTRIBUTE THE LOAD EVENLY. DO NOT OVER EXTEND THE INSIDE OPENING BEYOND 52".**

