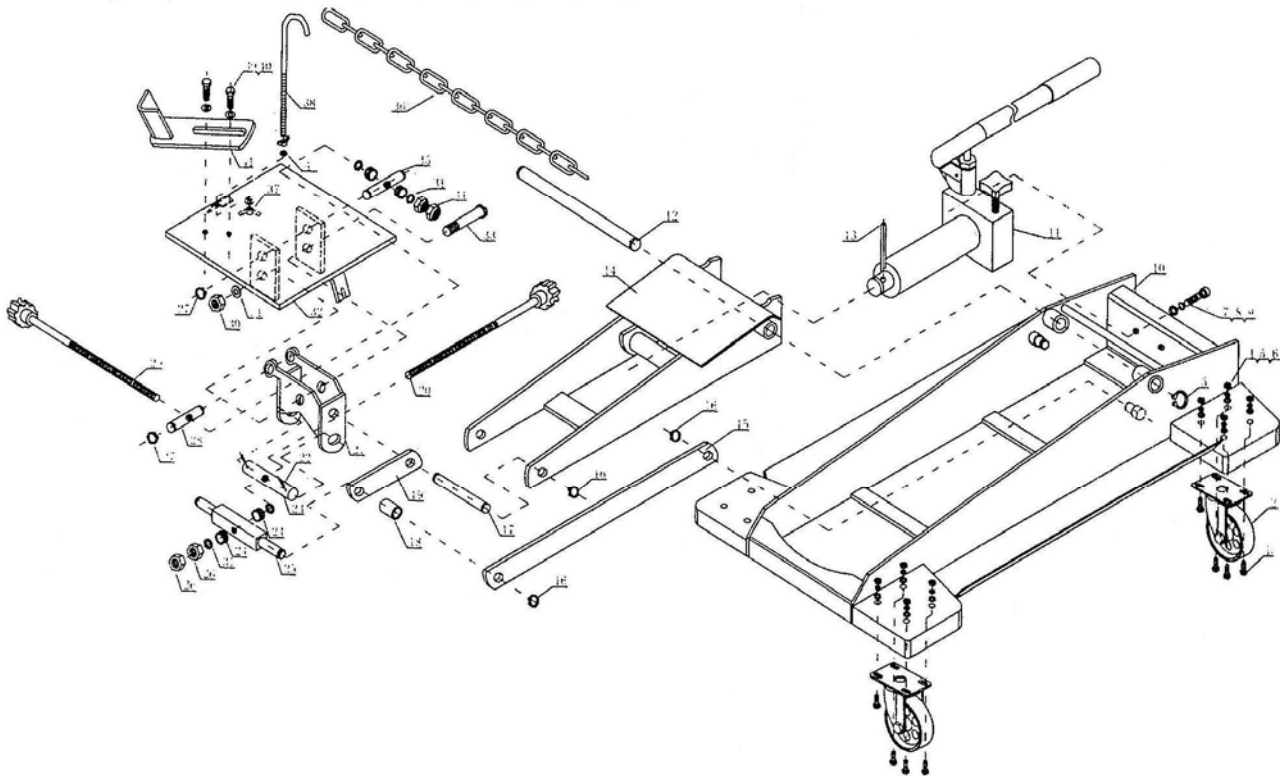


Installation Instructions for 80029 Transmission Jack

Max. Capacity: 1000LB

Warning!

- This jack is a lifting device designed ONLY for lifting part of the total vehicle (ie: one wheel). Do not move or dolly the vehicle while it is on the jack.
- Position this jack to ONLY lift on the areas of the vehicle as specified by the vehicle manufacturer.
- After lifting the vehicle, ALWAYS support the load with appropriately rated vehicle support stands BEFORE working on the vehicle.
- Do not overload this jack beyond its rated capacity. Overloading can cause damage to or failure of the jack.
- This jack is designed ONLY for use on hard level surfaces capable of sustaining the load. Use on other than hard level surfaces can result in jack instability and possible loss of load.
- Center load on jack adapter BEFORE lifting vehicle. Off-center loads and loads lifted when the jack is not level can cause loss of load or damage to the jack.
- Failure to heed these warnings may result in loss of load, damage to the jack and/or jack failure resulting in personal injury or property damage.



1-800-345-4545 jeps.com

No.	Description	Q'ty	No.	Description	Q'ty	No.	Description	Q'ty
1	Bolt M6×16	16	15	Long connecting rod	2	29	Short screw rod	1
2	Caster	4	16	Snap-ring "c" Ø16	6	30	Nut M12	1
3	Snap-ring "C" Ø22	2	17	Shaft	1	31	Washer Ø12	3
4	Washer Ø6	18	18	Shaft sleeve	2	32	Support	1
5	Lock Washer Ø6	16	19	Short connecting rod	2	33	Shaft	1
6	Nut M6	16	20	Long screw rod	1	34	Tight nut M10	1
7	Hex bolt M8×20	2	21	Turning plate	1	35	Shaft	1
8	Lock Washer Ø8.	2	22	Spring pin 4.5×25	2	36	Chain	1
9	Washer Ø8	2	23	Shaft	1	37	Fly nut M6	2
10	Base assembly	1	24	Bearing	4	38	Hook	1
11	Hydraulic pump unit	1	25	shaft	1	39	Bolt M10×16	8
12	Long shaft	1	26	Nut M10	2	40	Washer Ø10	14
13	Split pin 6×45	1	27	Snap-ring "c" Ø18	4	41	Shifting stand	4
14	Lifting arm assembly	1	28	Shaft	1			



1-800-345-4545 jeps.com