

Installation Instructions for 41017, 41027, 41037 & 41047 Fuel Pressure Gauge Kit for 99-04 4.6L Ford

Available in: Black, ETM, Carbon Fiber Look & White face 0-100 PSI gauge.

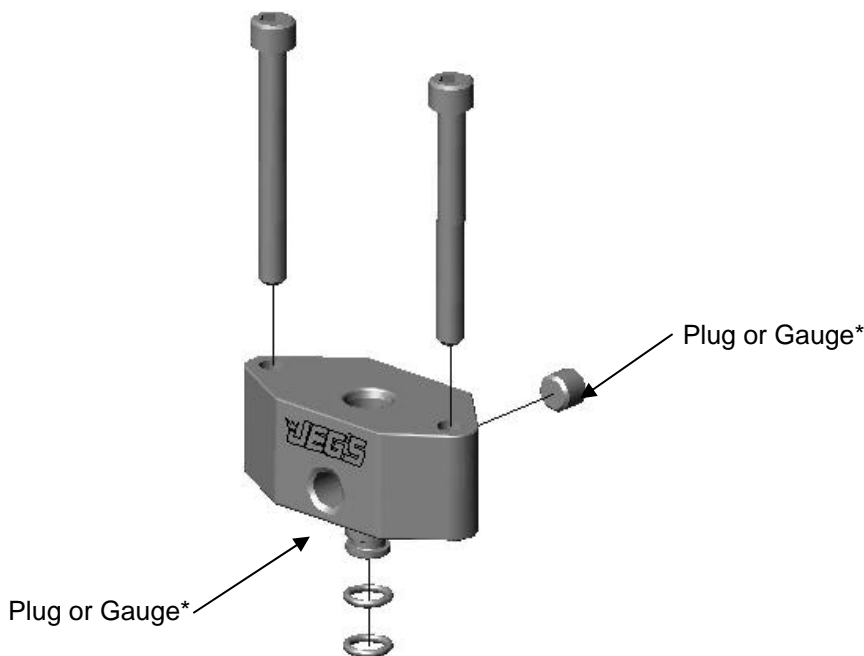
BE CAREFUL – DO NOT OVERTIGHTEN THE THREADED FITTINGS!

WARNING!

Check for leaks before starting your vehicle. Take precautions when working with gasoline – It is a fire hazard and is potentially explosive.

Installation Instructions:

1. Remove cap from fuel cell or tank.
2. Let the vehicle sit at least an hour to assist in relieving fuel pressure.
3. Locate fuel pressure sensor in the fuel rail on the drivers side fuel rail.
4. Using a clean absorbent towel(s) around the fuel pressure sensor carefully remove the sensor.
5. Be sure the port in the fuel rail is free of debris or dirt.
6. Screw the fuel pressure gauge into one of the desired 1/8" NPT ports in the fuel pressure gauge adapter.
7. Using the supplied 1/8" NPT pipe plug, plug the remaining hole in the fuel pressure gauge adapter.
8. Using assembly lube or equal product applied to the o-rings, push the adapter into the fuel rail using a twisting motion.
9. Install the fuel pressure sensor into the adapter, using the procedure in step #8 above.
10. Using the two supplied screws, carefully snug down the fuel pressure sensor.
11. Reinstall cap on fuel cell or tank.
12. Cycle the ignition key from the off position to the on position to check for leaks. **DO NOT CYCLE TO THE START POSITION!**



* Orientation may change based on application.



1-800-345-4545 jeps.com