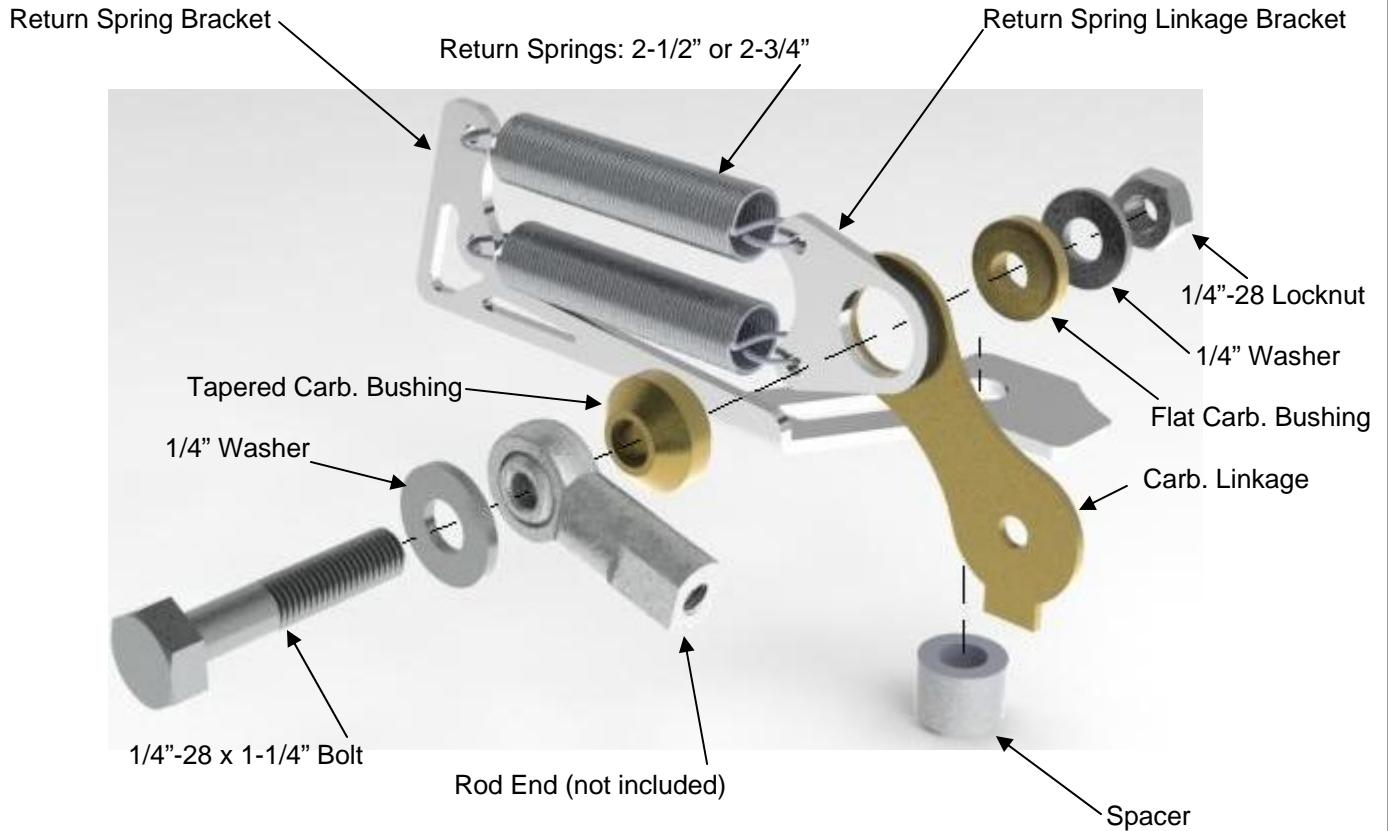


# Installation Instructions for 157101 Throttle Return Spring Kit

for 4500 series carburetors



1. This kit requires a 1/2" longer carburetor stud.
2. After assembly, move the throttle linkage through it's full movement to insure the pump operating lever does not interfere or bind with the throttle return spring bracket.