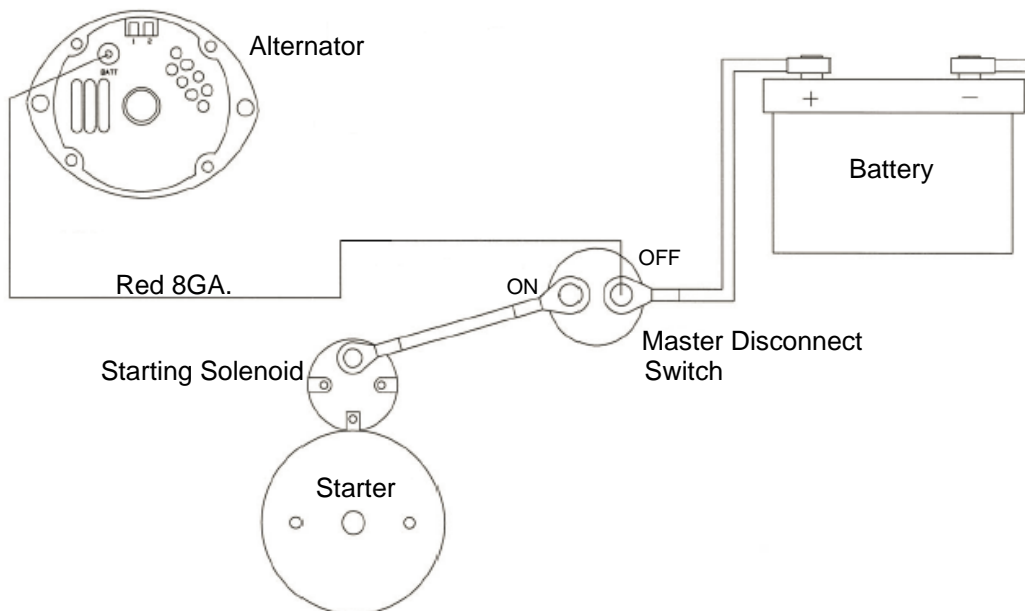


Installation Instructions for 10512 Remote Battery Charge Kit

Installation Instructions:

THE VEHICLES IGNITION SYSTEM MUST BE POWERED FROM THE STARTING SOLENOID:



CHECK FOR PROPER SHUTDOWN OPERATION BEFORE DRIVING VEHICLE: Any time the master disconnect switch is in the 'OFF' position the car should NOT run.