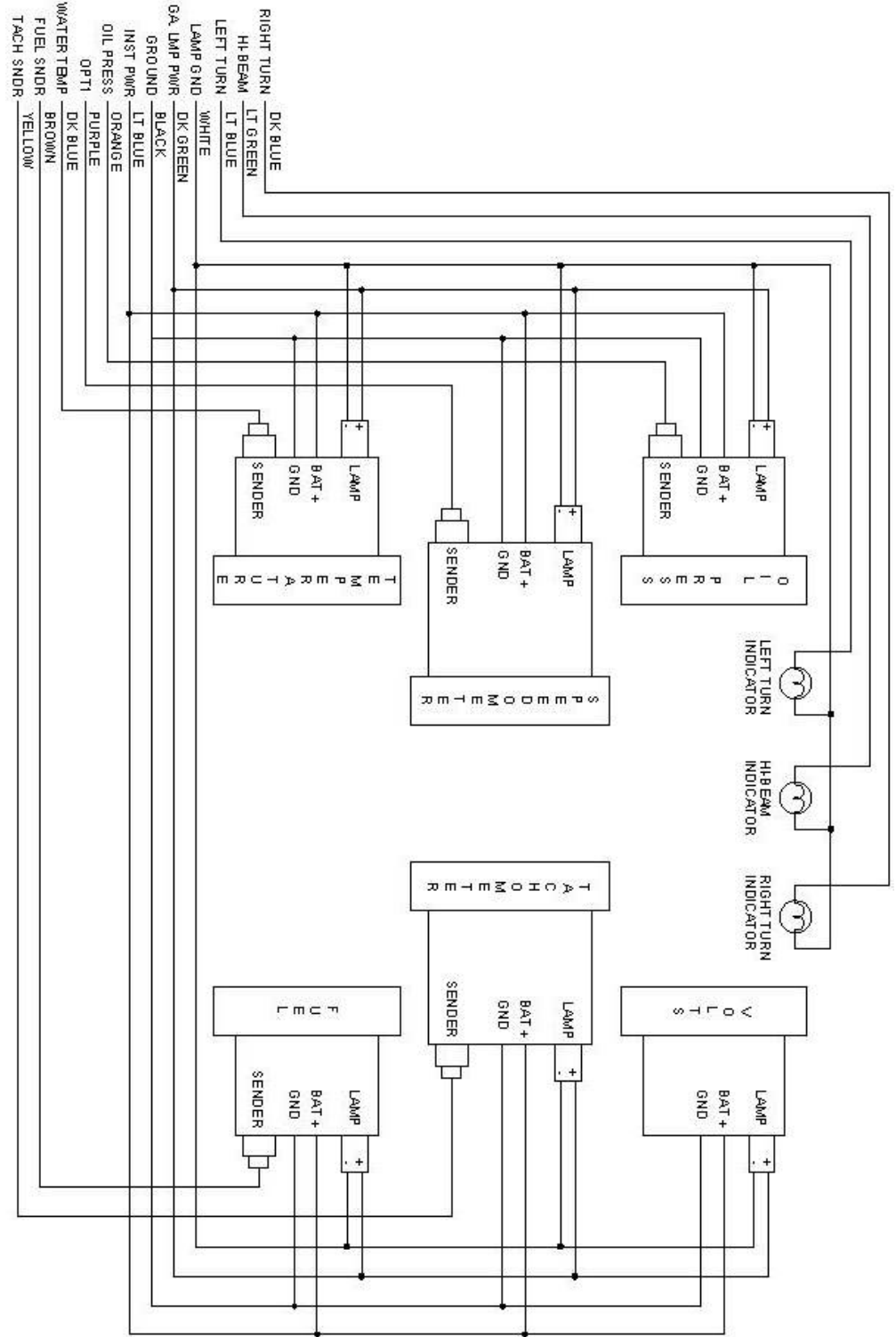


Installation Instructions for 10410 Universal Gauge Wiring Kit

This universal gauge wiring kit includes the pre-labeled wire to handle electric or mechanical gauges, 6' convoluted tubing, HEI Tachometer connector, and crimp terminals. This kit works with any type of gauges, and can be used in all vehicles with after-market gauges.

Follow the wiring instructions that came with your gauges. The drawing shown below is for most electric gauges and can be used as a reference only.



1-800-345-4545 jegs.com