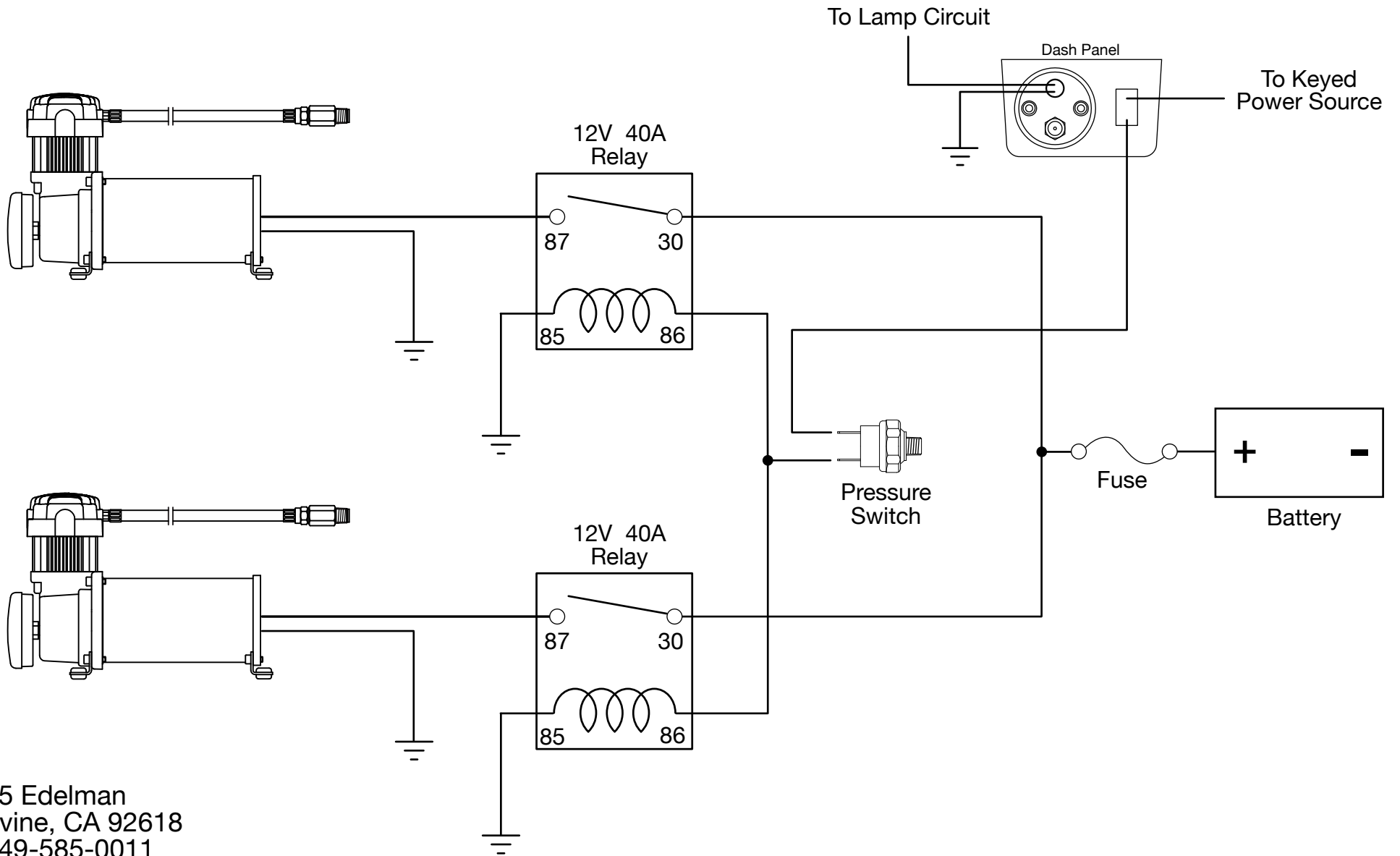




Your Vital Air Source

P/N 10008, 10009 COMPRESSOR WIRING DIAGRAM



15 Edelman
Irvine, CA 92618
949-585-0011
www.viaircorp.com